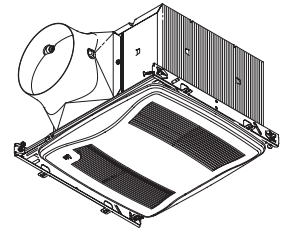


MODEL ZB110H VENTILATION FAN



FEATURES

ULTRASMART™ DC Motor and Control Technology

- DC motor for efficiency well beyond ENERGY STAR® requirements.
- Multi-speed capability ideal for meeting ASHRAE 62.2, LEED and ENERGY STAR® for Homes requirements. Can be used to comply with CA Title 24, as well as local/spot ventilation needs.
- Powerful operation maintained over a wide range of real-world installations (CFM ratings maintained through at least 0.25" static pressure).
- Infinitely adjustable low cfm setting allows precise adjustment to prevent over-ventilating and maximize efficiency.
- Adjustable time delay sets how long fan will run on high speed before returning to a continuous lower speed.
- Rated for Continuous Operation.

ULTRASILENT™ Sound Technology

- HVI certified, best-achievable <0.3 Sone level provides nearly silent operation for a relaxing environment.
- State-of-the-art blower and duct outlet design smooths airflow.
- High tech DC motor designed for nearly silent operation.

ULTRAQUICK™ Installation Technology

- Unique telescoping mounting frame fits through retrofit drywall opening to allow easy installation from the room side. No attic access needed!
- Captive screws allow for easy new construction installation.
- Mounting frame positioning tabs provide easy vertical positioning for new construction.
- Easy to insert and remove snap-in housing. No screws required!
- Easy to insert and remove snap-in blower.
- Inside or outside duct connector and knockout plate mounting provides flexibility for new construction or retrofit.

ULTRASENSE™ Humidity Sensing Technology

- Detects humidity at the ceiling where it is greatest, which minimizes reaction time.
- Automatically turns fan on when either of these conditions is detected:
 - Rapid to moderate humidity increase;
 - Humidity above set-point (50%-80% RH).
- Humidity level is set with easily accessible user adjustment.
- Can be used to comply with CALGreen standards.

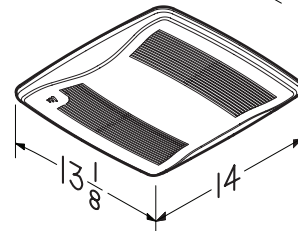
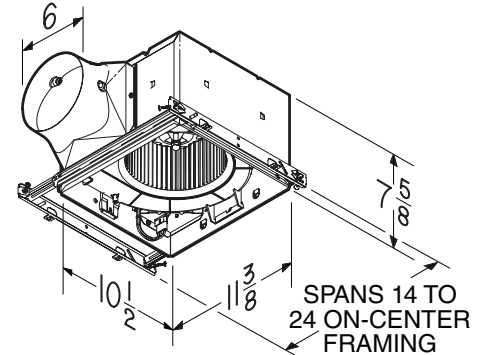
- Two wire manual operation for odor control - Boosts fan to maximum airflow (CFM) when power line through wall switch is cycled ON, OFF and back ON.
- After humidity has stabilized and is below set point or after boosted through power line cycling, fan operates at maximum airflow (CFM) until UltraSmart™ user adjustable time delay set point is reached, then fan reduces to continuous airflow (CFM) level.

U.L. Listed for use over bathtubs and showers when connected to a GFCI protected branch circuit (ceiling mount only).

Use only ON/OFF switch, mechanical timer or relay-switched control.

3-year warranty.

DIMENSIONS (Inches)



Broan-NuTone LLC Hartford, Wisconsin www.broan.com 800-558-1711

| REFERENCE | QTY. | REMARKS | Project |
|-----------|------|---------|--|
| | | | Location |
| | | | Architect |
| | | | Engineer |
| | | | Contractor |
| | | | Submitted by Date |



PERFORMANCE SPECIFICATIONS MODEL ZB110H VENTILATION FAN

ELECTRICAL & WEIGHT

HVI PERFORMANCE

| Airflow Rate Setting (CFM) | 6" Duct | | | | |
|----------------------------|---|---------------|---------------|---------------------|---------------|
| | 0.1 Ps - Static Pressure (inH ₂ O) | | | | 0.25 Ps |
| | Airflow (CFM) | Sound (Sones) | Power (Watts) | Efficacy (CFM/Watt) | Airflow (CFM) |
| 110 | 110 | < 0.3 | 8.3 | 13.3 | 110 |
| 100 | 100 | < 0.3 | 7.6 | 13.2 | 100 |
| 90 | 90 | < 0.3 | 7.0 | 12.9 | 90 |
| 80 | 80 | < 0.3 | 6.4 | 12.5 | 80 |
| 70 | 70 | < 0.3 | 5.7 | 12.3 | 70 |
| 60 | 60 | < 0.3 | 5.2 | 11.5 | 60 |
| 50 | 50 | < 0.3 | 4.7 | 10.6 | 50 |
| 40 | 40 | < 0.3 | 4.3 | 9.3 | 40 |
| 30 | 30 | < 0.3 | 3.9 | 7.7 | 30 |



HVI-2100 CERTIFIED RATINGS comply with new testing technologies and procedures prescribed by the Home Ventilating Institute, for off-the-shelf products, as they are available to consumers. Product performance is rated at 0.1 in. static pressure, based on tests conducted in a state-of-the-art test laboratory. Sones are a measure of humanly-perceived loudness, based on laboratory measurements.

| Volts | Hz | Amps | Shipping Weight (lbs.) |
|-------|----|------|------------------------|
| 120 | 60 | 0.4 | 12.2 |



FAN CAPABILITY

