

FIXTURE:

PROJECT:

DESCRIPTION

LEDWP is a compact traditional wall pack luminaire designed for security purpose area and the place around commercial & residential buildings. With a die-cast aluminum housing and a polycarbonate lens. High efficacy, long life LED provide both energy and maintenance cost savings compared to traditional HID wall packs.



APPLICATION

Security, pathway perimeter lighting, building entryways and walkway

ACCESSORIES



Internal Photocell
(-WPPC)



Internal Emergency Battery
(-A-EMBK8WHVINT)

WATTAGE	VOLTAGE	LUMENS	LPW	REPLACE
30W	120-277VAC	3600lm	120lm/W	100W MH
42W	120-277/347-480VAC	5100lm	121lm/W	175W MH
65W	120-277/347-480VAC	7900lm	122lm/W	250W MH
90W	120-277/347-480VAC	10500lm	117lm/W	320W MH
125W	120-277/347-480VAC	12000lm	120lm/W	400W MH

ORDERING GUIDE

EXAMPLE LEDWP65W40K

SERIES	WATTAGE	COLOR TEMP	VOLTAGE	FINISH	DIMMING	OPTIONAL ACCESORIES
LEDWP	<input type="checkbox"/> 30W 30 WATT	<input type="checkbox"/> 40K 4000K	<input type="checkbox"/> Blank 120-277VAC	<input type="checkbox"/> Blank Dark Bronze	<input type="checkbox"/> Blank Non dimmable	<input type="checkbox"/> Blank No Accesories
	<input type="checkbox"/> 42W 42 WATT	<input type="checkbox"/> 50K 5000K	<input type="checkbox"/> HV 347-480VAC	<input type="checkbox"/> BK Black		<input type="checkbox"/> EM Emergency Battery
	<input type="checkbox"/> 65W 65 WATT			<input type="checkbox"/> WH White		<input type="checkbox"/> PC Internal PC
	<input type="checkbox"/> 90W 90 WATT					
	<input type="checkbox"/> 125W 125 WATT					

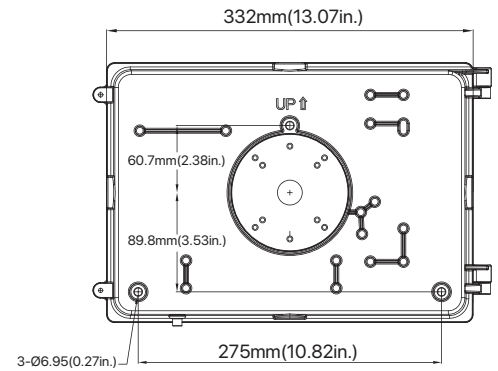
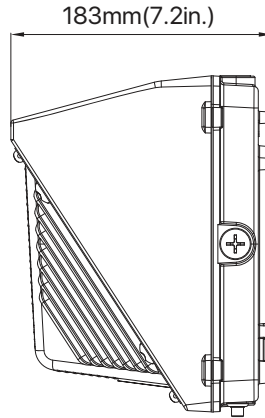
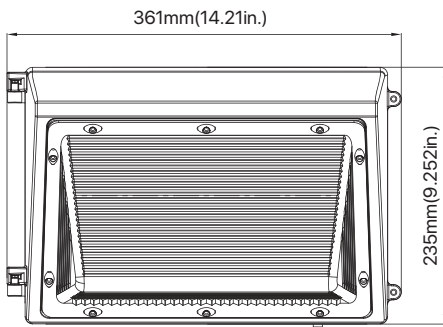
* Only 42W, 65W, 90W and 125W suitable for 347-480V input voltage

* For other color finish, the lead time is 8 to 10 weeks

* Emergency battery only suitable for 30W/42W/65W

* Motion sensor option available in our premium wall pack series.

DIMENSIONS



Weight

30W: 6.327lb
 40W: 6.525lb
 65W: 6.724lb
 90W: 7.319lb
 125W: 8.157lb

OPTIONAL ACCESSORIES

Photocell



WPPC - Internal Photocell

Internal Photocell

- Dusk to dawn photocell sensor
- Switch life is greater than 5000 cycles
- Reduce maintenance cost and energy consumption
- UL Listed global safety certification

VOLTAGE	DELAY TIME	OPERATING TEMP	FUNCTION
120/277VAC	Up to 15 sec	40° to 158 ° F	Dusk to dawn Switch

Emergency Battery (A-EMBK8WLV-INT)



The A-EMBK8WLV-INT is a 90 minutes emergency battery pack that is integral to the fixtures.

Housing

Suitable for both indoor and outdoor application also suitable for J Box Mounting

Photocell

Optional photocell allows for security and energy Saving



Lens

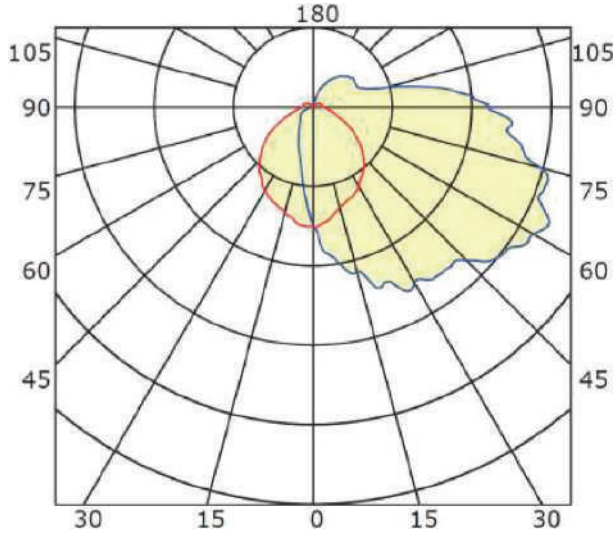
Polycarbonate optical lens with UV stabilizers do not exhibit yellowing and deformation

1/2 in threaded hole

Polycarbonate optical lens with UV stabilizers do not exhibit yellowing and deformation

PHOTOMETRY

Medium Wall Pack
(30W, 42W, 65W, 90W, 125W)



PERFORMANCE DATA

WATTAGE	VOLTAGE	LUMENS	LPW	LUMENS	LPW	REPLACE
30W	120-277VAC	3550lm	118lm/W	3600lm	120lm/W	100W MH
42W	120-277/347-480VAC	5000lm	119lm/W	5100lm	121lm/W	175W MH
65W	120-277/347-480VAC	7800lm	120lm/W	7900lm	122lm/W	250W MH
90W	120-277/347-480VAC	10000lm	111lm/W	10500lm	117lm/W	320W MH
125W	120-277/347-480VAC	14500lm	116lm/W	15000lm	120lm/W	400W MH

NUMBER OF DRIVER	DRIVER CURRENT(Ma)	WATTAGE	120V	208V	240V	277V	347V	480V
1	430	30W	0.25	0.14	0.13	0.11	N/A	N/A
1	640	42W	0.33	0.19	0.17	0.14	0.12	0.08
1	1110	65W	0.54	0.31	0.27	0.23	0.18	0.14
1	2270	90W	0.75	0.43	0.38	0.32	0.25	0.19
2	3500	125W	1.13	0.65	0.56	0.49	0.36	0.26