

PROJECT:	_____
CATALOG:	_____
FIXTURE TYPE:	_____
NOTES:	_____



LEDSFL

SMALL

15W, 27W



DESCRIPTION

The LEDSFL luminance is a high performance LED lighting solution designed with optical versatility and a slim, low profile design. Its rugged cast aluminum housing minimizes wind load requirements and features an integral, water tight LED driver compartment and high performance aluminum heat sink.

APPLICATION

Parking lots, walkways, campuses, car dealerships, office complexes, and internal roadways

LEDSFL		3000K		4000K		5000K	
WATTAGE	VOLTAGE	LUMENS	LPW	LUMENS	LPW	LUMENS	LPW
15W	120-277VAC	1950lm	130lm/W	2000lm	133lm/W	2000lm	133lm/W
27W	120-277VAC	3500lm	130lm/W	3600lm	133lm/W	3600lm	133lm/W

MOUNTING OPTIONAL



Knuckle



Trunnion

ACCESSORIES



WPPC

ORDERING GUIDE

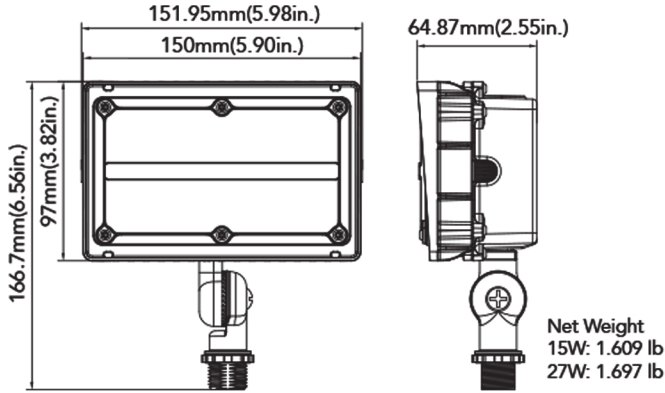
EXAMPLE LEDSFL

Series	Wattage	CCT	Voltage	Dimmable	Finishing	Photocell	MOUNTING (Optional)
LEDSFL	<input type="checkbox"/> 15W 15WATT	<input type="checkbox"/> 30K 3000K	<input type="checkbox"/> Blank 120-277 VAC	<input type="checkbox"/> BLANK NO DIM	<input type="checkbox"/> Blank Dark Bronze	<input type="checkbox"/> Blank No Photocell	<input type="checkbox"/> -TM Trunnion Mount
	<input type="checkbox"/> 27W 27WATT	<input type="checkbox"/> 40K 4000K			<input type="checkbox"/> -BK Black	<input type="checkbox"/> -PC Internal Photocell	<input type="checkbox"/> -KN Knuckle Mount
		<input type="checkbox"/> 50K 5000K			<input type="checkbox"/> -WH White		

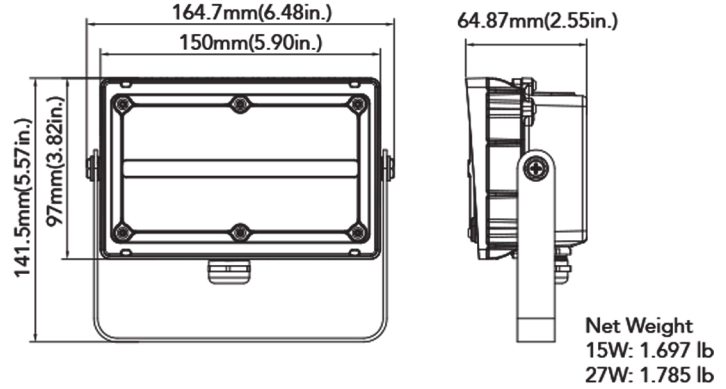
*15W,27W is non dimmable

DIMENSIONS

15W & 27W (Knuckle Mount)



15W & 27W (Trunnion Mount)



OPTIONAL ACCESSORIES

1. Photocell



WPPC - INTERNAL PHOTOCELL

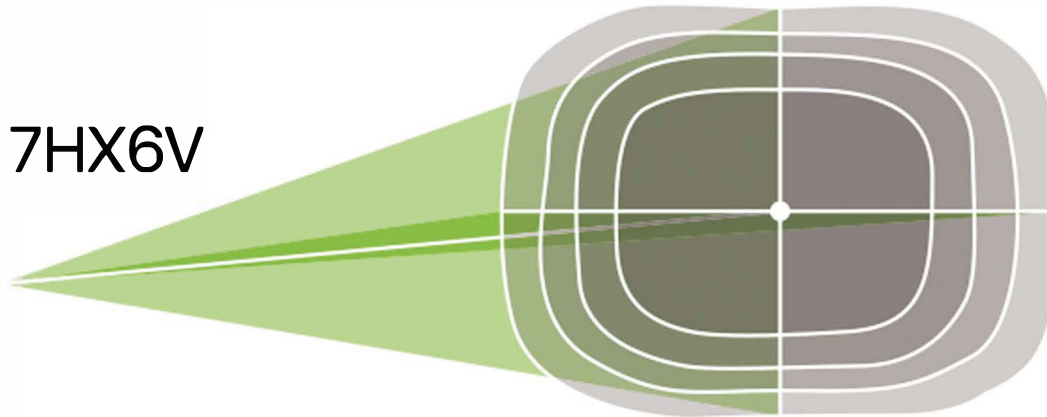
INTERNAL PHOTOCELL

- Dusk to dawn photocell sensor
- Internally installed in the fixture.
- Reduce maintenance cost and energy consumption
- UL Listed global safety certification

VOLTAGE	DELAY TIME	OPERATING TEMP	FUNCTION
120/277VAC	Up to 15 sec	40°F to 158°F	Dusk to dawn switch



PHOTOMETRY



PERFORMANCE DATA

ELECTRICAL DATA

NUMBER OF DRIVER	WATTAGE	120V	208V	240V	277V	347V	480V
1	15W	0.13	0.07	0.06	0.05	-	-
1	27W	0.23	0.13	0.11	0.10	-	-

LEDSFL				3000K		4000K		5000K	
WATTAGE	VOLTAGE	DIST.TYPE	CRI	LUMENS	LPW	LUMENS	LPW	LUMENS	LPW
15W	120-277VAC	7HX6V	70	1950lm	130lm/W	2000lm	133lm/W	2000lm	133lm/W
27W	120-277VAC	7HX6V	70	3500lm	130lm/W	3600lm	133lm/W	3600lm	133lm/W

Specification:	
Efficacy	≤133lm/W
CRI	70
Lumens	6000-9450lm
CCT	3000K/4000K/5000K
Electrical	120-277V
Dimming	Non Dimable
Ambient Temperature	-40°F - 104°F
Warranty	5 Year



| Housing

Electrical compartment and fitter are all made from die case aluminum that is pre-treated and power-coated to meet the most rugged industry standards

| Photocell (Optional)

Allows for security and energy saving



| Various mounting option

- Trunnion
- Knuckle

| Lens

Polycarbonate as an outer coating is used for our LED flood light to achieve an optimal lighting performance and durability. The doorframe is sealed with an extruded silicone gasket to prevent moisture from accumulating