



T&S BRASS AND BRONZE WORKS, INC.
 2 Saddleback Cove / P.O. Box 1088
 Travelers Rest, SC 29690

Model No.
MV-0771-12R-VB

Item No.

Travelers Rest, SC: 800-476-4103 • Simi Valley, CA: 800-423-0150 • Fax: 864-834-3518 • www.tsbrass.com

This Space for Architect/Engineer Approval

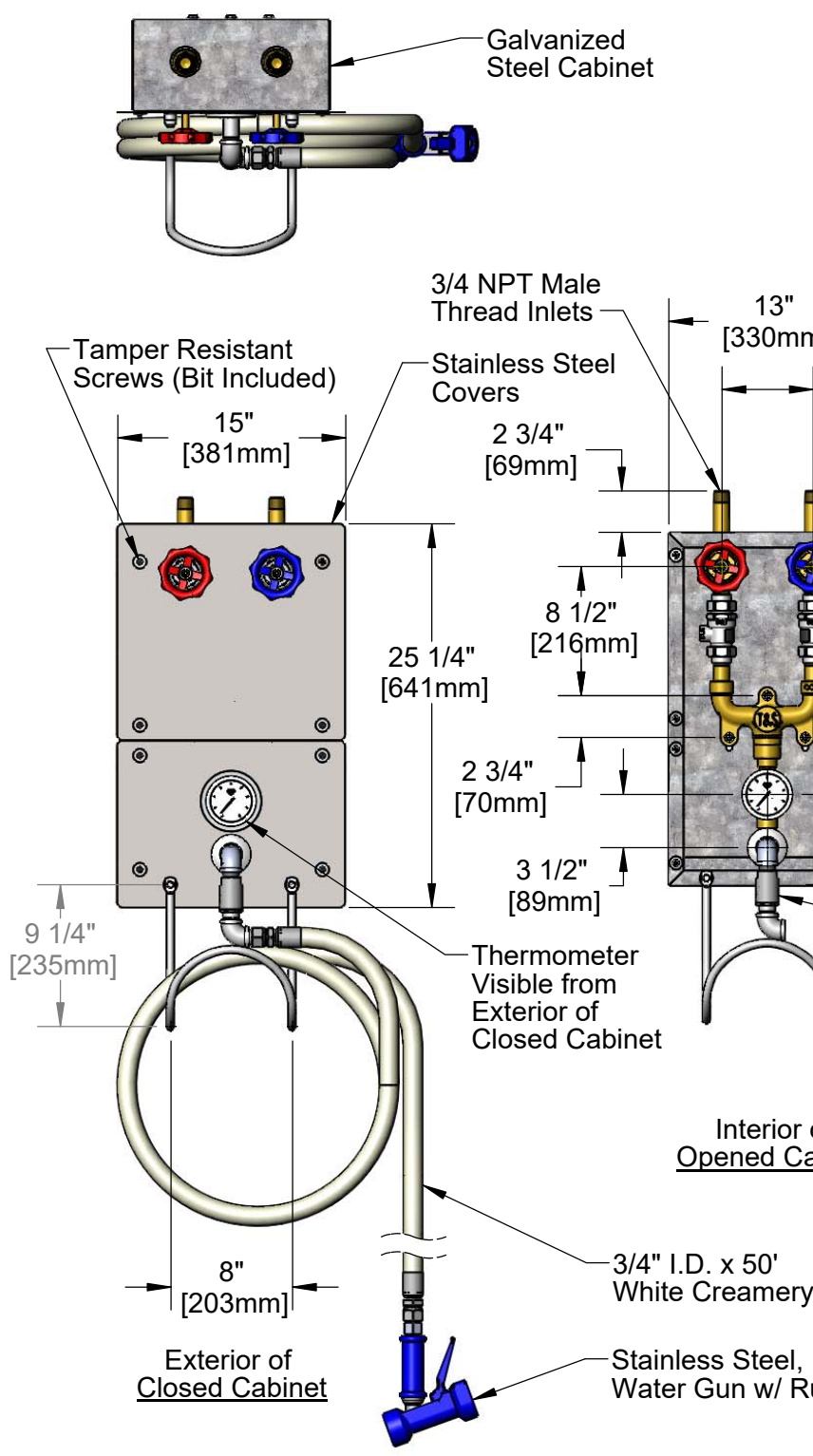
Job Name _____ Date _____

Model Specified _____ Quantity _____

Customer/Wholesaler _____

Contractor _____

Architect/Engineer _____



Product Specifications:
 Recessed Cabinet & Washdown Station w/ Thermometer, Mixing Valve w/ 3/4" NPT Male Inlets, Backflow Preventers, 50 Ft. Hose, Stainless Steel Water Gun & Hose Rack

Product Compliance:
 NSF 61 Exempt (Non-Potable)
 ASSE 1012 (VB)

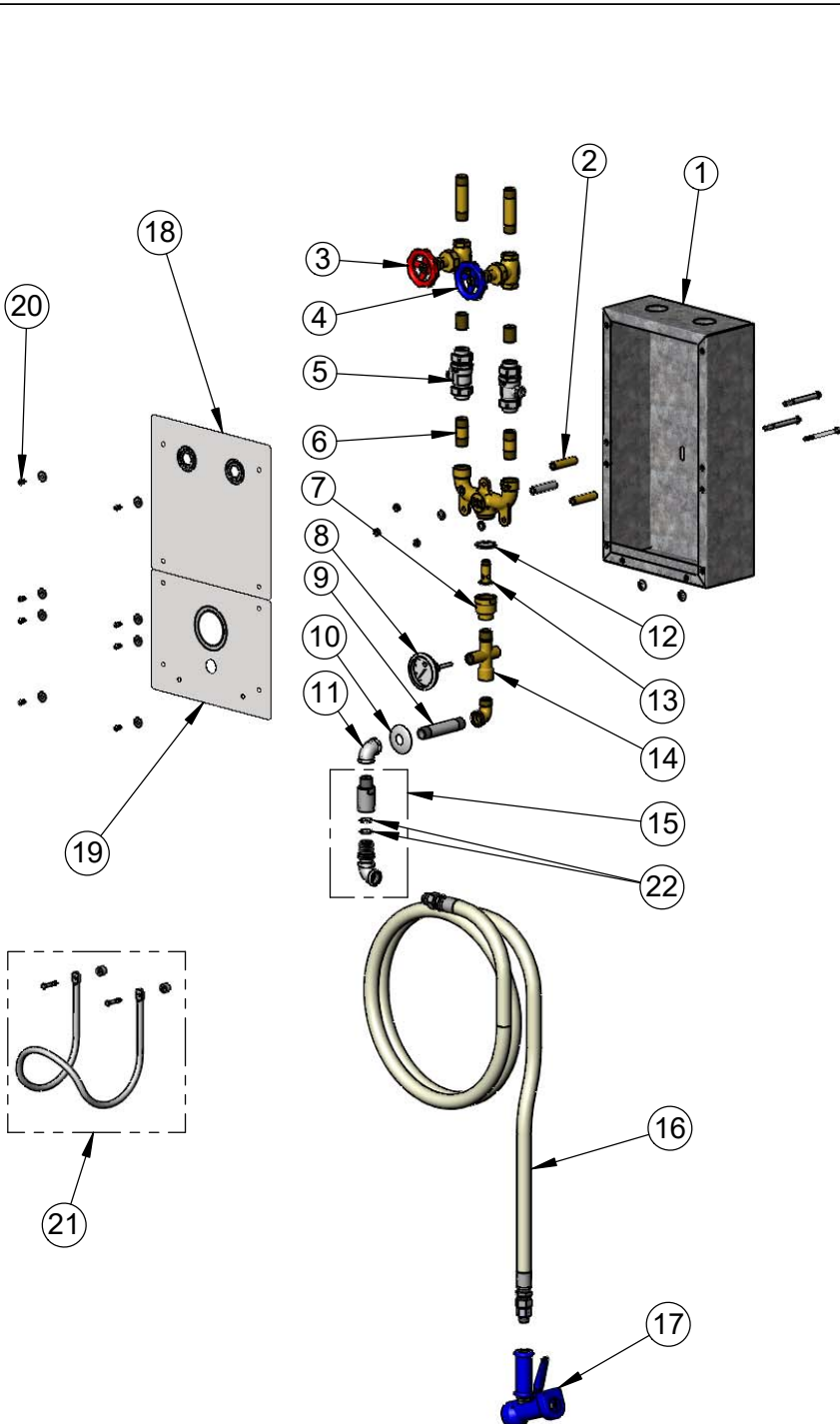


T&S BRASS AND BRONZE WORKS, INC.
 2 Saddleback Cove / P.O. Box 1088
 Travelers Rest, SC 29690

Model No.
MV-0771-12R-VB

Item No.

Travelers Rest, SC: 800-476-4103 • Simi Valley, CA: 800-423-0150 • Fax: 864-834-3518 • www.tsbrass.com



Item No.	Sales No.	Description
1	006667-45	Recessed Cabinet
2	005401-20	Spacer, Long
3	006648-20R	3/4" Globe Valve, Red Handle
4	006648-20B	3/4" Globe Valve, Blue Handle
5	B-0962	3/4" Backflow Preventer
6	004525-20	3/4" Nipple x 2 1/2" Long
7	015456-20	Outlet Nipple
8	003799-45	Thermometer, Bi-Metal
9	004528-40	3/4" Nipple x 4" Long
10	004831-40	Escutcheon, 3/4"
11	001720-40	3/4" Cast Elbow, Female
12	006653-45	Gasket
13	006510-20	Diffuser
14	009163-20	Thermometer Tee, 3/4"
15	007252-25	Swivel
16	004980-40	Hose, 3/4" x 50 Ft.
17	MV-2516-44	SS Water Gun, 9/16" Orifice
18	006660-45	Top Cover
19	005395-45	Bottom Cover
20	014741-45	Tamper Resistant Screw
21	002970-45	Hose Rack
22	002721-45	O-Ring



017511-45
 Bit for Tamper
 Resistant
 Screws

Product Specifications:
 Recessed Cabinet & Washdown Station w/ Thermometer, Mixing Valve w/
 3/4" NPT Male Inlets, Backflow Preventers, 50 Ft. Hose, Stainless Steel Water
 Gun & Hose Rack

Product Compliance:
 NSF 61 Exempt (Non-Potable)
 ASSE 1012 (VB)