

T&S BRASS AND BRONZE WORKS, INC.

2 SADDLEBACK COVE / P.O. BOX 1088 / TRAVELERS REST, SC 29690

PHONE 800-476-4103

FAX 803- 834-3518



REG. #A2601
ISO #9002

Model No.

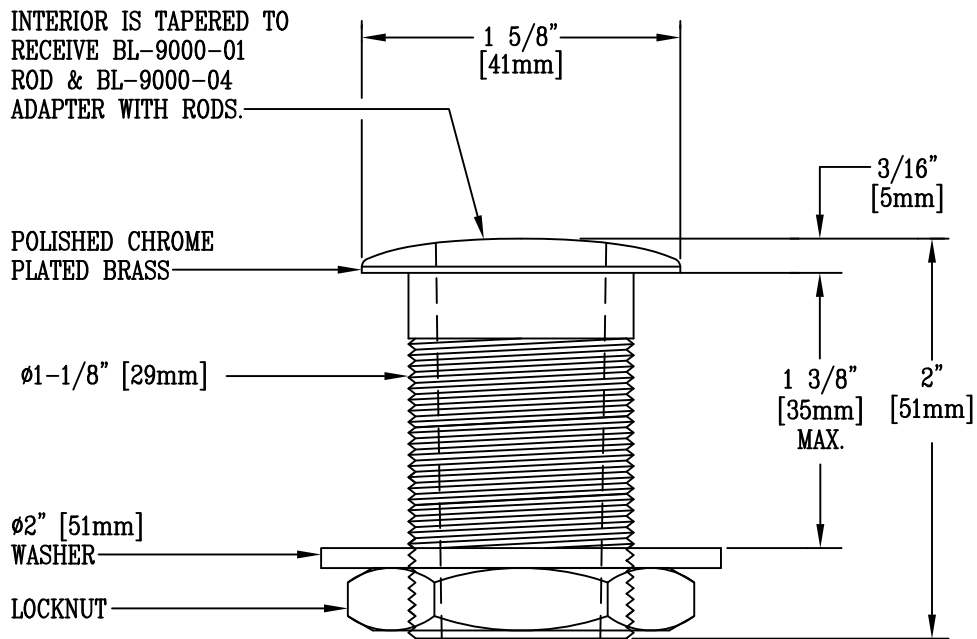
BL-9005-01

Item No.:

Job Name:

Architect/Engineer Approval:

Notes:



Product Description:
FLUSH PLATE ASSEMBLY WITH CROWNED TOP, LOCK NUT, & WASHER FOR USE WITH BL-9000 SERIES RODS

Drawn:

WJS

Checked

MWR

Scale:

1' = 1'

Approved

CA

Date:

10/11/95