



T&S BRASS AND BRONZE WORKS, INC.

2 Saddleback Cove / P.O. Box 1088
Travelers Rest, SC 29690

Model No.

BL-6005-01

Item No.

Travelers Rest, SC: 800-476-4103 • Simi Valley, CA: 800-423-0150 • Fax: 864-834-3518 • www.tsbrass.com

This Space for Architect/Engineer Approval

Job Name _____ Date _____

Model Specified _____ Quantity _____

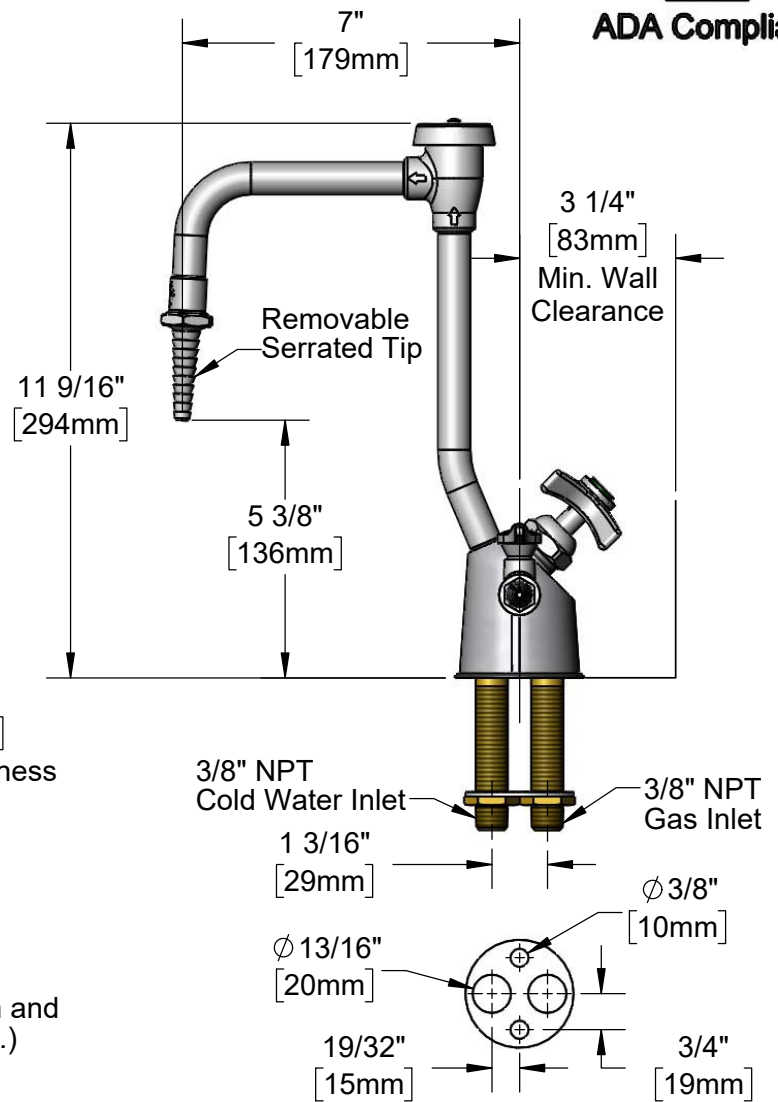
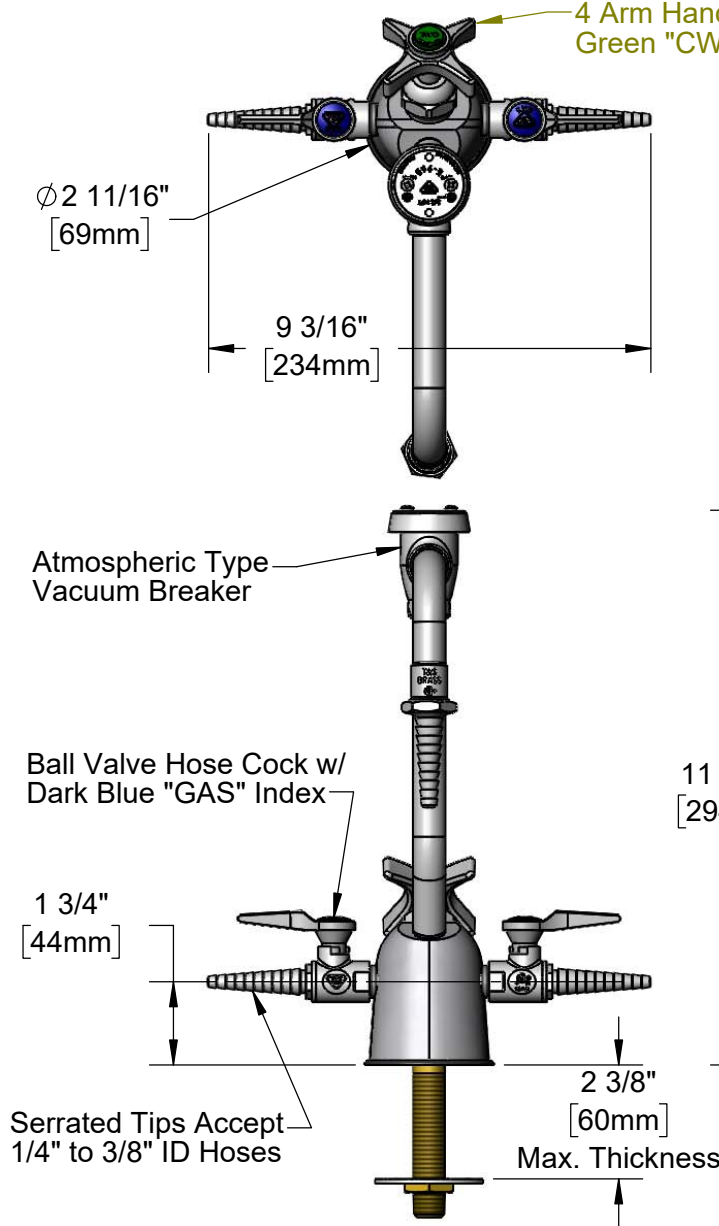
Customer/Wholesaler _____

Contractor _____

Architect/Engineer _____



ADA Compliant



Mounting Washer / Rough-In Detail

NOTES:

1. Natural Gas Pressure: 0.5 PSIG Max.
(For Natural Gas above 0.5 PSIG or Oxygen and
Specialty Gases, use BL-4010-01 Gas Cock.)
2. Certified to ANSI Z21.15a / CSA 9.1a

Product Specifications:

Combination Gas & Water Fixture w/ (2) Ball Valve Gas Cocks,
Vacuum Breaker, 7" Rigid Nozzle w/ Serrated Tip &
3/8" NPT Male Inlets

Product Compliance:

ASME A112.18.1 / CSA B125.1
NSF 61 - Section 9
NSF 372 (Low Lead Content)
ASSE 1001 (VB)
ANSI Z21.15a / CSA 9.1a (Gas Valves)
ANSI A117.1 (ADA)



T&S BRASS AND BRONZE WORKS, INC.

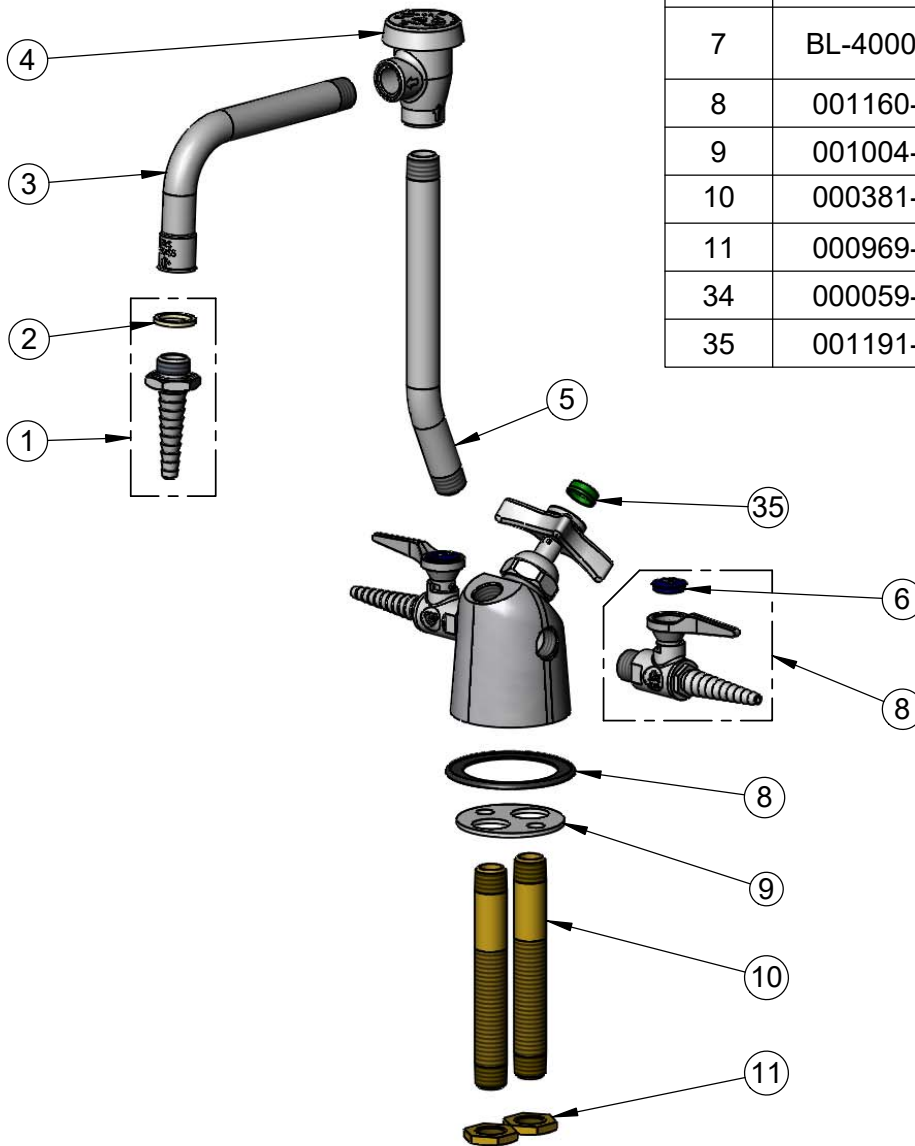
2 Saddleback Cove / P.O. Box 1088
Travelers Rest, SC 29690

Model No.

BL-6005-01

Item No.

Travelers Rest, SC: 800-476-4103 • Simi Valley, CA: 800-423-0150 • Fax: 864-834-3518 • www.tsbrass.com



ITEM NO.	SALES NO.	DESCRIPTION
1	BL-5550-04	Serrated Tip
2	001051-45	Washer
3	000387-40	Nozzle
4	B-0968	Vacuum Breaker Assembly, 3/8"
5	001522-40	Riser, BL-6005-01, 7"
6	209L-GAS-NS	Dark Blue "GAS" Lab Button Index
7	BL-4000-01	Ball Valve Hose Cock w/ GAS, AIR & VAC Indexes
8	001160-45	Gasket, BL-6000
9	001004-45	Washer, Turret BL-6000, Brass
10	000381-20	Nipple, Supply, 3/8" Pipe, Brass
11	000969-45	Nut, Lock, 3/8" NPSL, Brass
34	000059-40	4-Arm Lab Handle
35	001191-45	Green Index - CW

Product Specifications:
Combination Gas & Water Fixture w/ (2) Ball Valve Gas Cocks,
Vacuum Breaker, 7" Rigid Nozzle w/ Serrated Tip &
3/8" NPT Male Inlets

Product Compliance:
ASME A112.18.1 / CSA B125.1
NSF 61 - Section 9
NSF 372 (Low Lead Content)
ASSE 1001 (VB)
ANSI Z21.15a / CSA 9.1a (Gas Valves)
ANSI A117.1 (ADA)