



**T&S BRASS AND BRONZE WORKS, INC.**  
 2 Saddleback Cove / P.O. Box 1088  
 Travelers Rest, SC 29690

Model No.  
**B-7245**

Item No.

Travelers Rest, SC: 800-476-4103 • Simi Valley, CA: 800-423-0150 • Fax: 864-834-3518 • www.tsbrass.com

This Space for Architect/Engineer Approval

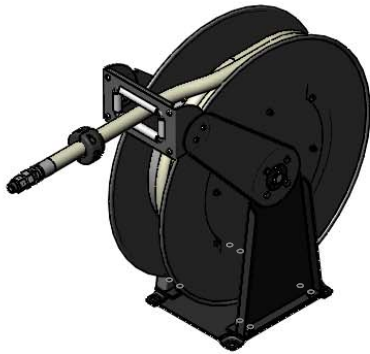
Job Name \_\_\_\_\_ Date \_\_\_\_\_

Model Specified \_\_\_\_\_ Quantity \_\_\_\_\_

Customer/Wholesaler \_\_\_\_\_

Contractor \_\_\_\_\_

Architect/Engineer \_\_\_\_\_



1/2" NPT  
Male Outlet

45°

27 1/16"  
[688mm]

14 3/8"  
[365mm]

3/4" NPT  
Female  
Inlet

3/4" x 50'  
Hose Not  
Shown

5 5/8"  
[143mm]

∅ 24 1/2"  
[622mm]

12"  
[305mm]

11"  
[279mm]

∅ 1/2"  
[12mm]

10 5/16"  
[262mm]

9 5/16"  
[237mm]

Product Specifications:  
 Epoxy Coated Open Hose Reel w/ 3/4" x 50' Creamery  
 Hose & Double Arm Support

Product Compliance:  
 NSF 61 Exempt (Non-Potable)



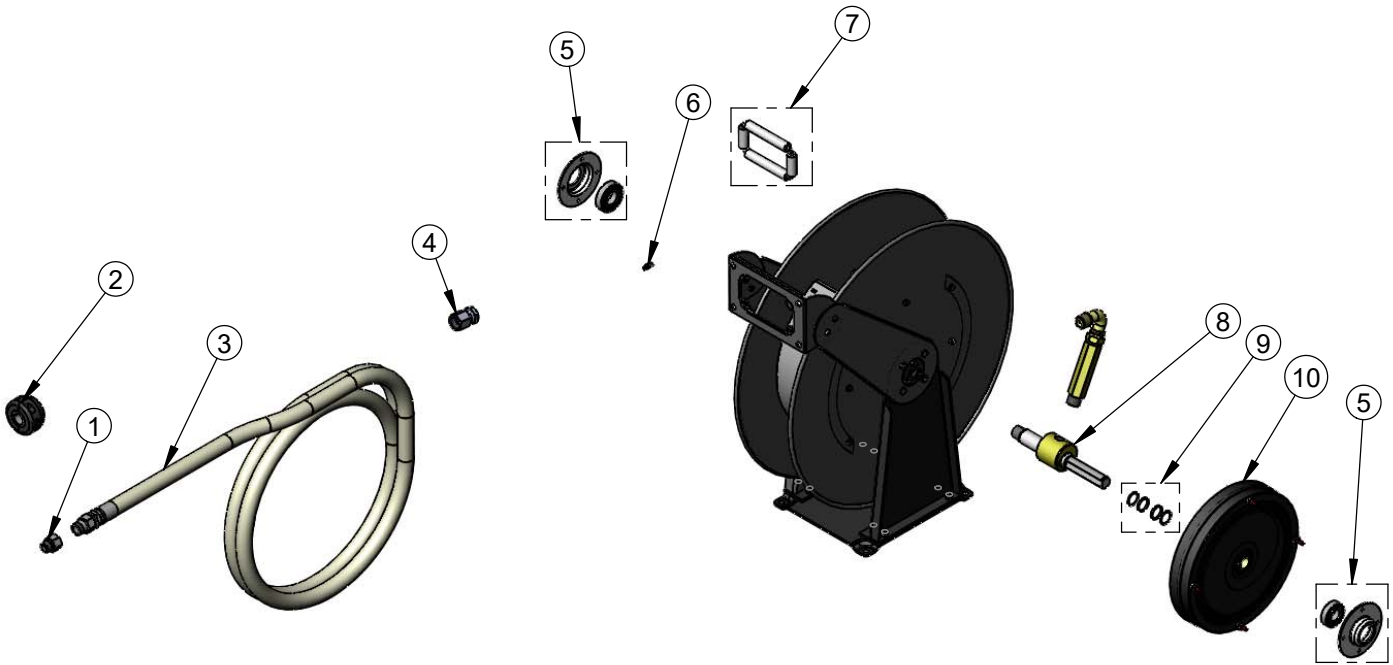
**T&S BRASS AND BRONZE WORKS, INC.**  
 2 Saddleback Cove / P.O. Box 1088  
 Travelers Rest, SC 29690

Model No.  
**B-7245**

Item No.

Travelers Rest, SC: 800-476-4103 • Simi Valley, CA: 800-423-0150 • Fax: 864-834-3518 • www.tsbrass.com

ITEM NO.	SALES NO.	DESCRIPTION
1	006112-25	Adapter, 3/4" NPT Female x 1/2" NPT Male
2	014930-45	Hose Stop Repair Kit
3	004980-40	50' of 3/4" Creamery Hose
4	015713-45	Swivel Connector, 3/4" NPT Female x 3/4" NPT Female
5	014923-45	Bearing Repair Kit
6	014926-45	Ratchet Spring Repair Kit
7	014925-45	Roller Guide Kit
8	014928-45	Swivel Repair Kit
9	014929-45	O-Ring Repair Kit
10	014924-45	Spring Repair Kit



Product Specifications:  
 Epoxy Coated Open Hose Reel w/ 3/4" x 50' Creamery  
 Hose & Double Arm Support

Product Compliance:  
 NSF 61 Exempt (Non-Potable)