



# T&S BRASS AND BRONZE WORKS, INC.

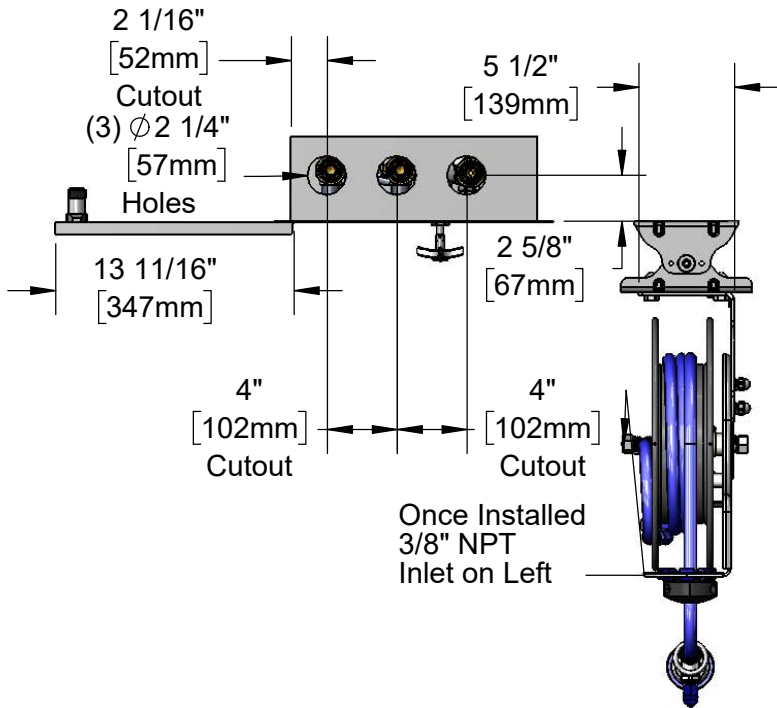
2 Saddleback Cove / P.O. Box 1088  
Travelers Rest, SC 29690

Model No.

**B-7232-U01WS5**

Item No.

Travelers Rest, SC: 800-476-4103 • Simi Valley, CA: 800-423-0150 • Fax: 864-834-3518 • www.tsbrass.com



This Space for Architect/Engineer Approval

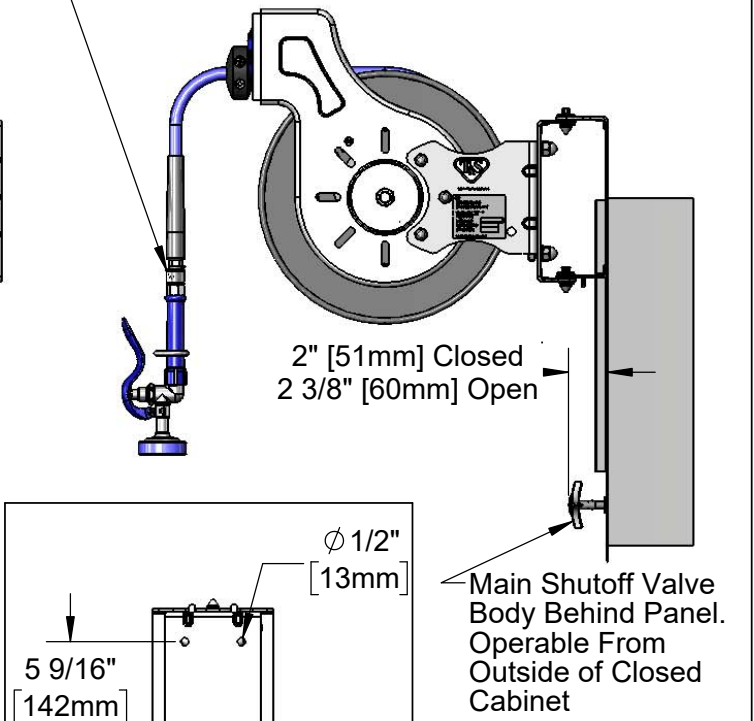
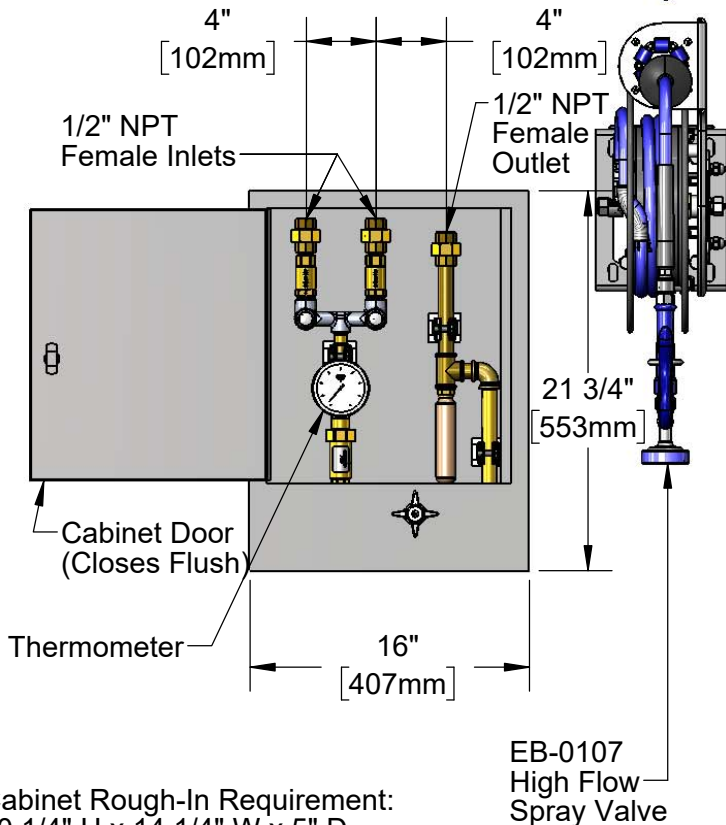
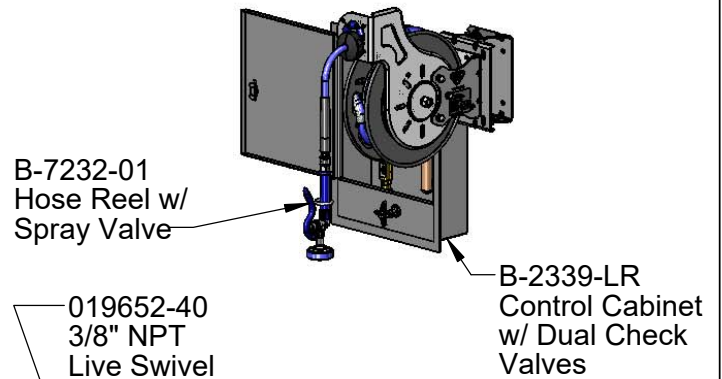
Job Name \_\_\_\_\_ Date \_\_\_\_\_

Model Specified \_\_\_\_\_ Quantity \_\_\_\_\_

Customer/Wholesaler \_\_\_\_\_

Contractor \_\_\_\_\_

Architect/Engineer \_\_\_\_\_



Cabinet Rough-In Requirement:  
20 1/4" H x 14 1/4" W x 5" D

**Product Specifications:**

Open Coated Hose Reel w/ 35' Hose, High Flow Spray Valve w/ Swivel, Rinse Control Cabinet w/ Control Valve, Dual Check Valves, Thermometer & Water Hammer Arrestor, 100 Degree EasyInstall Stainless Steel Swing Bracket w/ Mounting Hardware

**Product Compliance:**

ASME A112.18.1 / CSA B125.1  
ASSE 1024 (VB)  
NSF 61 Exempt (Non-Potable)  
EPA Act 2005 Non-Compliant (PRSV)

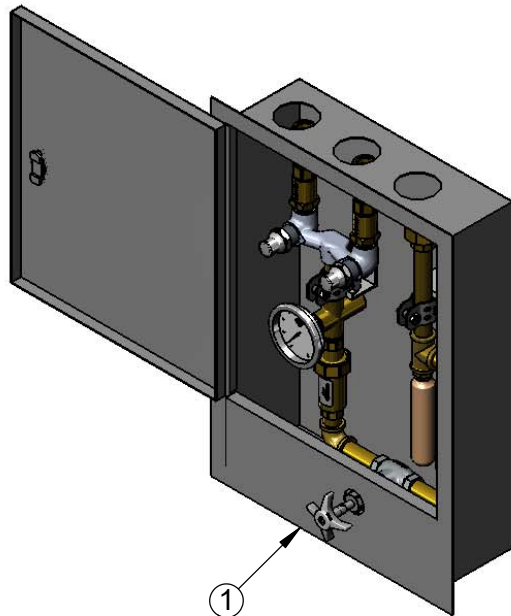


**T&S BRASS AND BRONZE WORKS, INC.**  
 2 Saddleback Cove / P.O. Box 1088  
 Travelers Rest, SC 29690

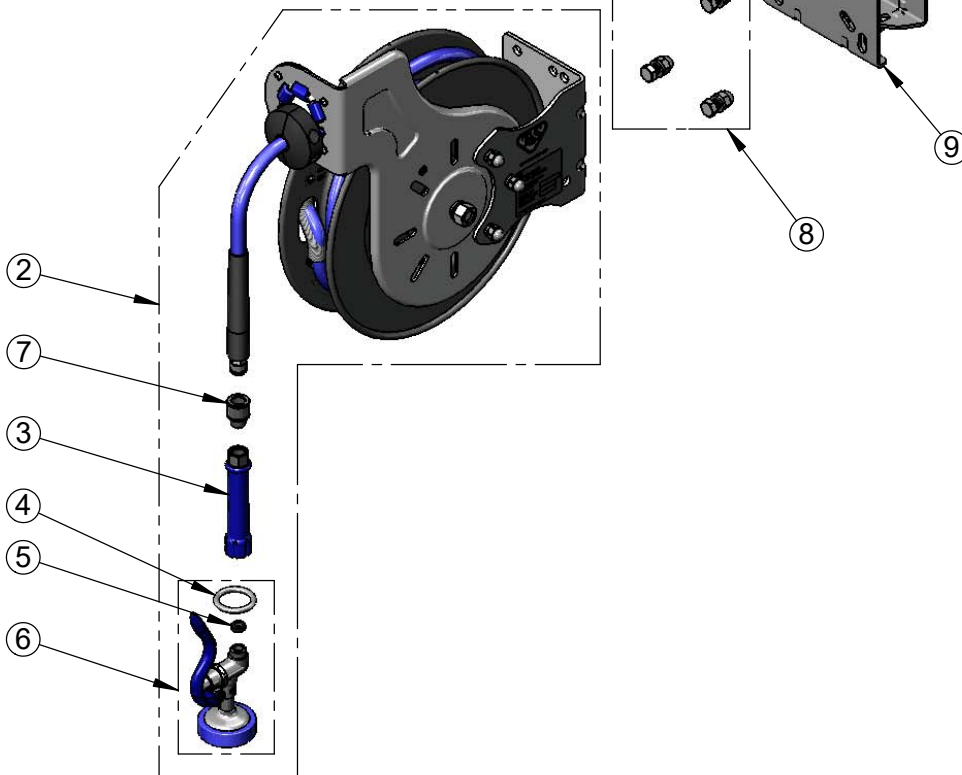
Model No.  
**B-7232-U01WS5**

Item No.

Travelers Rest, SC: 800-476-4103 • Simi Valley, CA: 800-423-0150 • Fax: 864-834-3518 • www.tsbrass.com



ITEM NO.	SALES NO.	DESCRIPTION
1	B-2339-LR	Reel Control Cabinet w/ Control Valve, Dual Check Valves & Thermometer
2	B-7232-01	Open Coated Reel w/ 35' of 3/8" Hose & Blue Spray Valve
3	012504-40	Blue Grip Handle
4	000907-45	Spray Valve Hold Down Ring
5	010476-45	#27 Washer
6	EB-0107	High Flow Spray Valve
7	019652-40	3/8" NPT Live Swivel
8	019191-45K	Hose Reel Mounting Kit
9	G019430-45	EasyInstall Hose Reel Stainless Steel Swing Bracket



**Product Specifications:**  
 Open Coated Hose Reel w/ 35' Hose, High Flow Spray Valve w/ Swivel, Rinse Control Cabinet w/ Control Valve, Dual Check Valves, Thermometer & Water Hammer Arrestor, 100 Degree EasyInstall Stainless Steel Swing Bracket w/ Mounting Hardware

**Product Compliance:**  
 ASME A112.18.1 / CSA B125.1  
 ASSE 1024 (VB)  
 NSF 61 Exempt (Non-Potable)  
 EPA Act 2005 Non-Compliant (PRSV)