



T&S BRASS AND BRONZE WORKS, INC.
 2 Saddleback Cove / P.O. Box 1088
 Travelers Rest, SC 29690

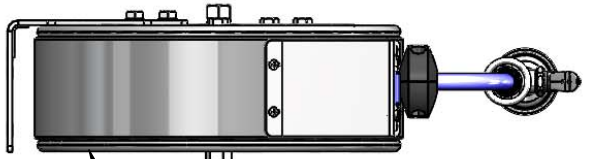
Model No.
B-7222-C01M

Item No.

Travelers Rest, SC: 800-476-4103 • Simi Valley, CA: 800-423-0150 • Fax: 864-834-3518 • www.tsbrass.com

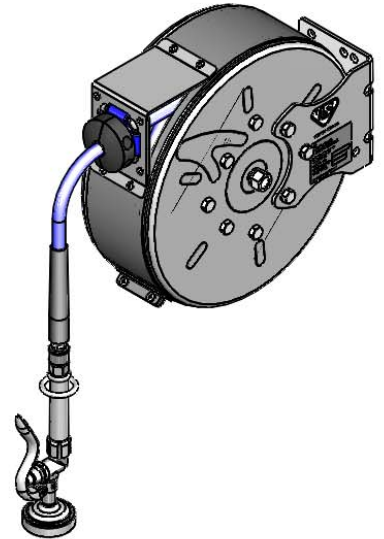
This Space for Architect/Engineer Approval

Job Name _____ Date _____
 Model Specified _____ Quantity _____
 Customer/Wholesaler _____
 Contractor _____
 Architect/Engineer _____



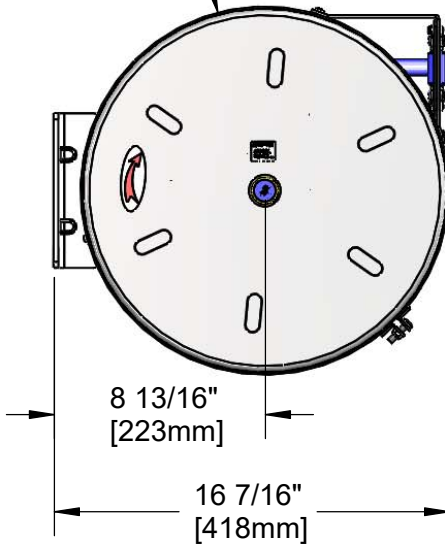
3/8" NPT Female Inlet
 (Left Side of Reel)

Enclosed Coated Hose Reel;
 30 Ft. of 3/8" Hose



Ø 15 3/8"
 [390mm]

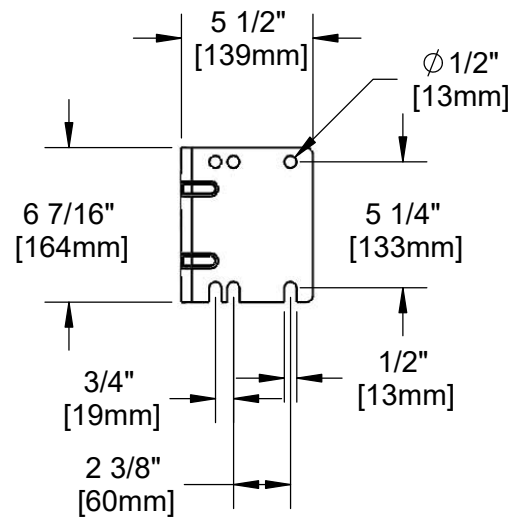
6 1/2"
 [166mm]



019652-40
 3/8" NPT
 Live Swivel

B-0107
 1.15 GPM
 Spray Valve

Mounting Hole Details



Product Specifications:
 3/8" x 30 Ft. Enclosed Coated Reel w/ 1.15 GPM Spray Valve & Swivel

Product Compliance:
 NSF 61 Exempt (Non-Potable)
 2019 DOE PRSV - Class II



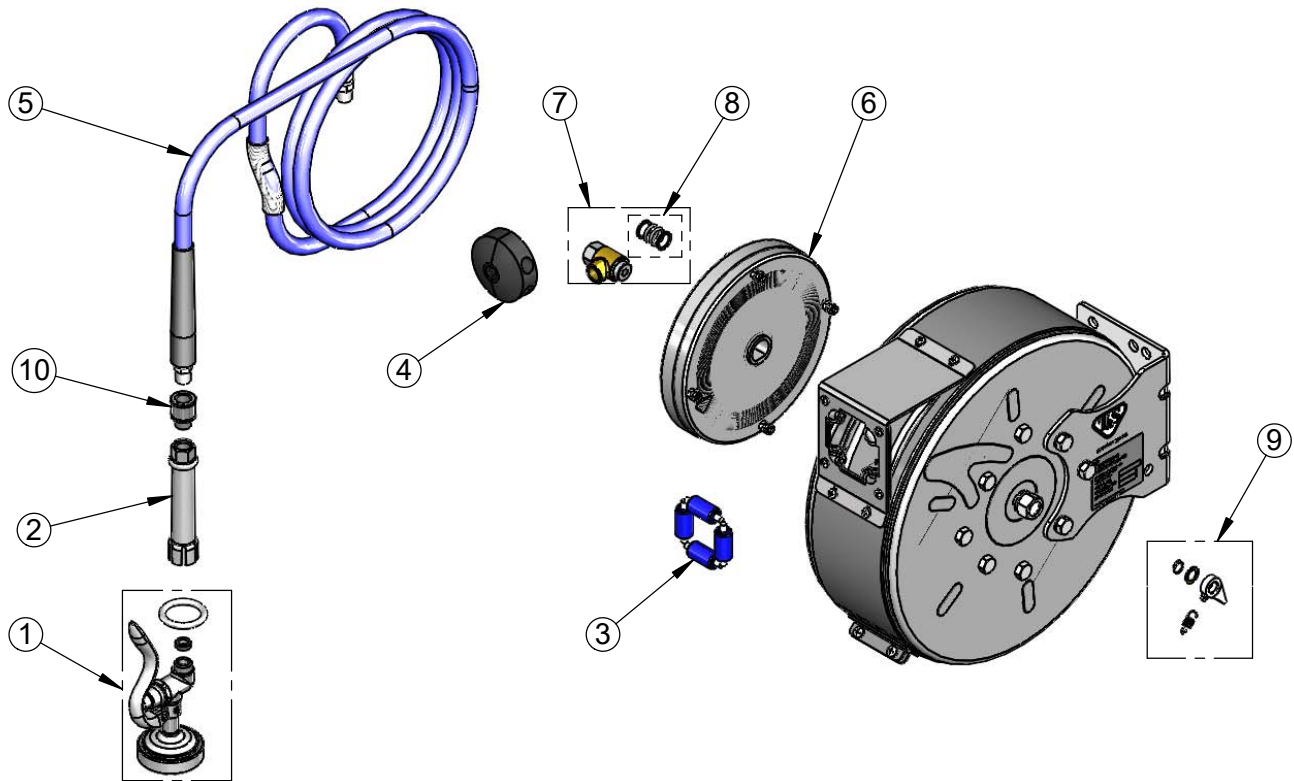
T&S BRASS AND BRONZE WORKS, INC.
 2 Saddleback Cove / P.O. Box 1088
 Travelers Rest, SC 29690

Model No.
B-7222-C01M

Item No.

Travelers Rest, SC: 800-476-4103 • Simi Valley, CA: 800-423-0150 • Fax: 864-834-3518 • www.tsbrass.com

ITEM NO.	SALES NO.	DESCRIPTION
1	B-0107	1.15 GPM Spray Valve
2	002881-40	Gray Handle Grip
3	014936-45	Roller Assembly Repair Kit
4	014949-45	Hose Stop Repair Kit
5	014943-45	3/8" x 30' Hose Replacement Kit
6	014932-45	Small Spring Assembly
7	014946-45	3/8" Swivel Repair Kit
8	014948-45	O-Ring Replacement Kit
9	014940-45	Ratchet Repair Kit
10	019652-40	3/8" NPT Live Swivel



Product Specifications:
 3/8" x 30 Ft. Enclosed Coated Reel w/ 1.15 GPM Spray Valve & Swivel

Product Compliance:
 NSF 61 Exempt (Non-Potable)
 2019 DOE PRSV - Class II