



**T&S BRASS AND BRONZE WORKS, INC.**  
 2 Saddleback Cove / P.O. Box 1088  
 Travelers Rest, SC 29690

Model No.  
**B-2865-09CRV22**

Item No.

Travelers Rest, SC: 800-476-4103 • Simi Valley, CA: 800-423-0150 • Fax: 864-834-3518 • www.tsbrass.com



**ADA Compliant**

This Space for Architect/Engineer Approval

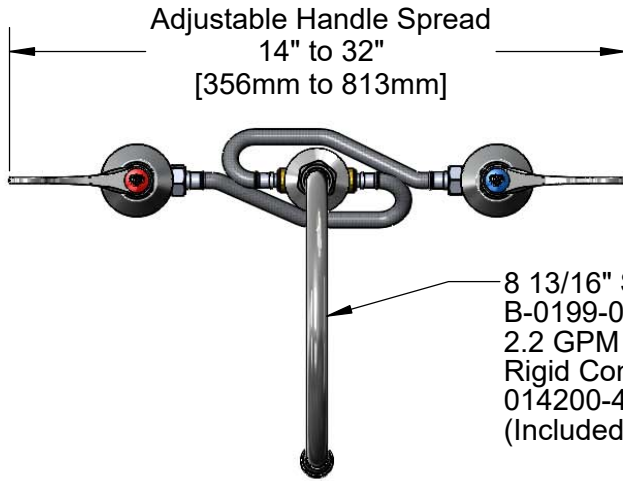
Job Name \_\_\_\_\_ Date \_\_\_\_\_

Model Specified \_\_\_\_\_ Quantity \_\_\_\_\_

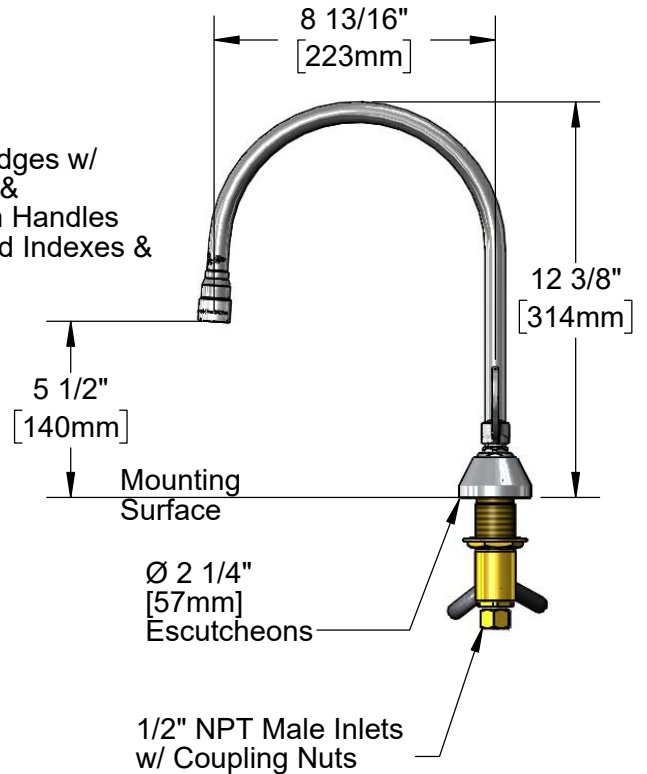
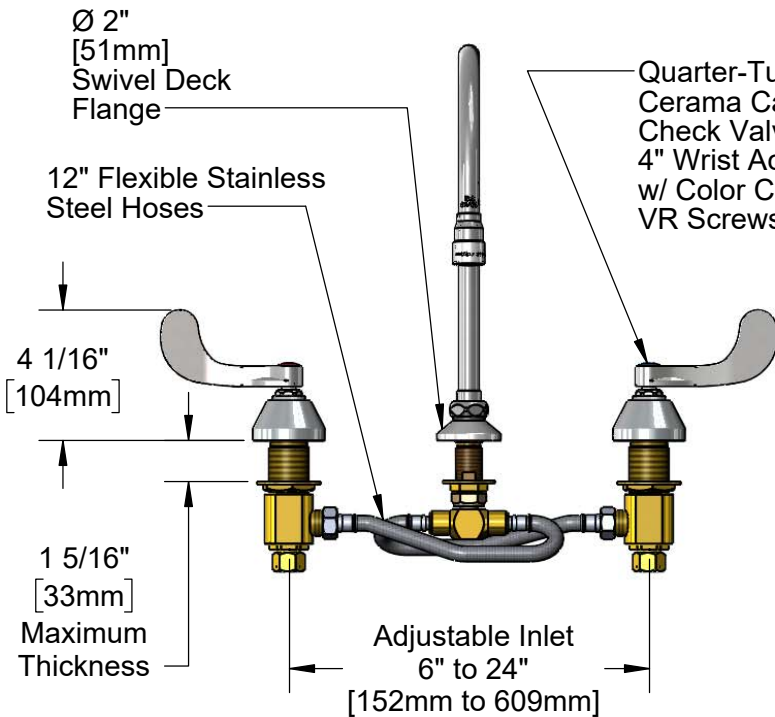
Customer/Wholesaler \_\_\_\_\_

Contractor \_\_\_\_\_

Architect/Engineer \_\_\_\_\_



8 13/16" Swivel Gooseneck w/  
 B-0199-07  
 2.2 GPM VR Aerator.  
 Rigid Conversion Requires  
 014200-45 Lock Washer  
 (Included)



**Rough-In Requirement:**  
 Center Shank: Ø 1" [25mm] Mounting Hole  
 Hot/Cold Bodies: Ø 1 1/2" [38mm] Mounting Holes

**Product Specifications:**  
 Adjustable Concealed Widespread Mixing Faucet, Quarter-Turn Cerama Cartridges w/ Check Valves, 4" Wrist Action Handles, VR Screws, 5 3/4" Swivel/Rigid Gooseneck w/ 2.2 GPM VR Aerator, 12" Flexible Stainless Steel Hose & 1/2" NPT Male Inlets w/ Coupling Nuts

**Product Compliance:**  
 ASME A112.18.1 / CSA B125.1  
 NSF 61 - Section 9  
 NSF 372 (Low Lead Content)  
 ANSI A117.1 (ADA)



# T&S BRASS AND BRONZE WORKS, INC.

2 Saddleback Cove / P.O. Box 1088  
Travelers Rest, SC 29690


Model No.


**B-2865-09CRV22**

Item No.

Travelers Rest, SC: 800-476-4103 • Simi Valley, CA: 800-423-0150 • Fax: 864-834-3518 • www.tsbrass.com

ITEM NO.	SALES NO.	DESCRIPTION
1	B-0199-07	VR 2.2 GPM Aerator, 3/8" NPSM Male
2	B-0199-06	VR 2.2 GPM Aerator, 55/64-27 UN Female
3	044A	3/8" to Aerator Adapter
4	001043-45	Washer
5	009538-45	Swivel Washer
6	011429-45	Swivel Sleeves (2)
7	001074-45	O-Ring
8	018506-19NS	Blue Button Index, Press-in
9	VRS-2	VR Wrist Action Handle Screw (2) w/ Spanner Bit
10	B-WH4-NS	Wrist Action Handle (New Style)
11	001257-40NS	Bell Escutcheon
12	011617-25NS	CWS Quarter-Turn Cerama Cartridge w/ Check Valve, LTC
13	011649-45	12" Stainless Steel Flex Hose
14	000958-20	Coupling Nut
15	011616-25NS	CWS Quarter-Turn Cerama Cartridge w/ Check Valve, RTC
16	001193-19NS	Red Button Index, Press-in
17	014200-45	Star Washer, Anti-Rotation

  
 014075-45  
 #10 Spanner Bit  
 (Included)

  
 015425-45  
 Vandal Resistant Key  
 (Included)

**Product Specifications:**  
Adjustable Concealed Widespread Mixing Faucet, Quarter-Turn Cerama Cartridges w/ Check Valves, 4" Wrist Action Handles, VR Screws, 5 3/4" Swivel/Rigid Gooseneck w/ 2.2 GPM VR Aerator, 12" Flexible Stainless Steel Hose & 1/2" NPT Male Inlets w/ Coupling Nuts

**Product Compliance:**  
ASME A112.18.1 / CSA B125.1  
NSF 61 - Section 9  
NSF 372 (Low Lead Content)  
ANSI A117.1 (ADA)