



T&S BRASS AND BRONZE WORKS, INC.
 2 Saddleback Cove / P.O. Box 1088
 Travelers Rest, SC 29690

Model No.
B-0831-WA

Item No.

Travelers Rest, SC: 800-476-4103 • Simi Valley, CA: 800-423-0150 • Fax: 864-834-3518 • www.tsbrass.com



ADA Compliant

This Space for Architect/Engineer Approval

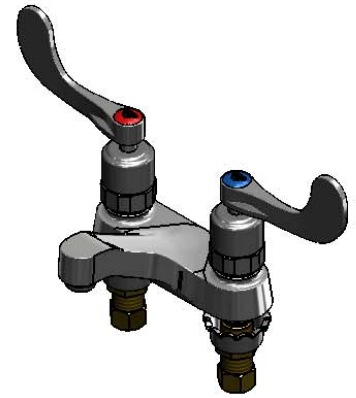
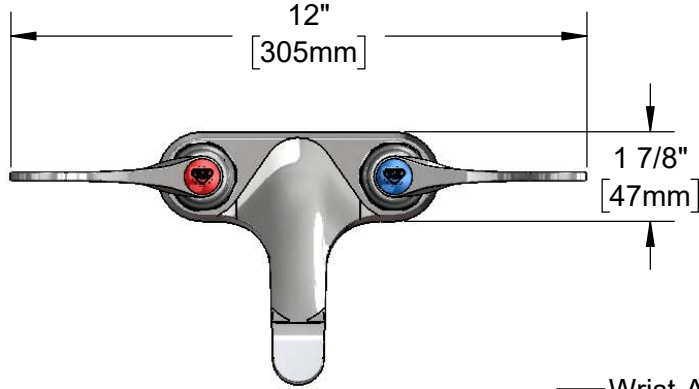
Job Name _____ Date _____

Model Specified _____ Quantity _____

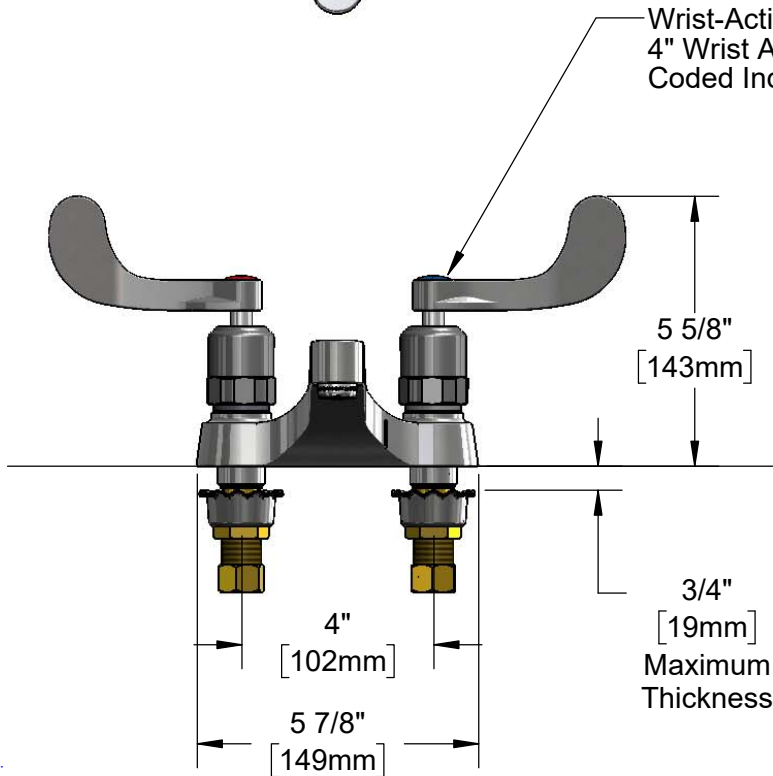
Customer/Wholesaler _____

Contractor _____

Architect/Engineer _____

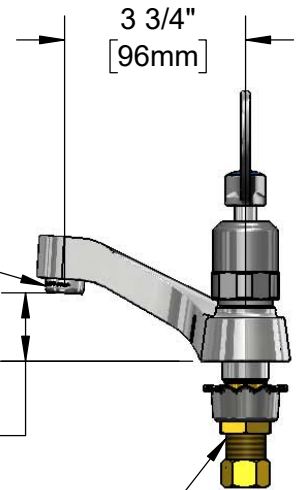


Wrist-Action Metering Cartridges & 4" Wrist Action Handles w/ Color Coded Indexes



B-0199-03
 2.2 GPM
 Aerator

Mounting Surface



1/2" NPSM
 Male Shanks w/
 Coupling Nuts

Rough-In Requirement:
 (2) ϕ 1 1/8" [29mm] Mounting Holes

Product Specifications:
 4" Centerset Metering Mixing Faucet, Metering Cartridges, 4" Wrist Action Handles & 2.2 GPM Aerator & 1/2" NPSM Male Shanks

Product Compliance:
 ASME A112.18.1 / CSA B125.1
 NSF 61 - Section 9
 NSF 372 (Low Lead Content)
 ANSI A117.1 (ADA)



T&S BRASS AND BRONZE WORKS, INC.
 2 Saddleback Cove / P.O. Box 1088
 Travelers Rest, SC 29690

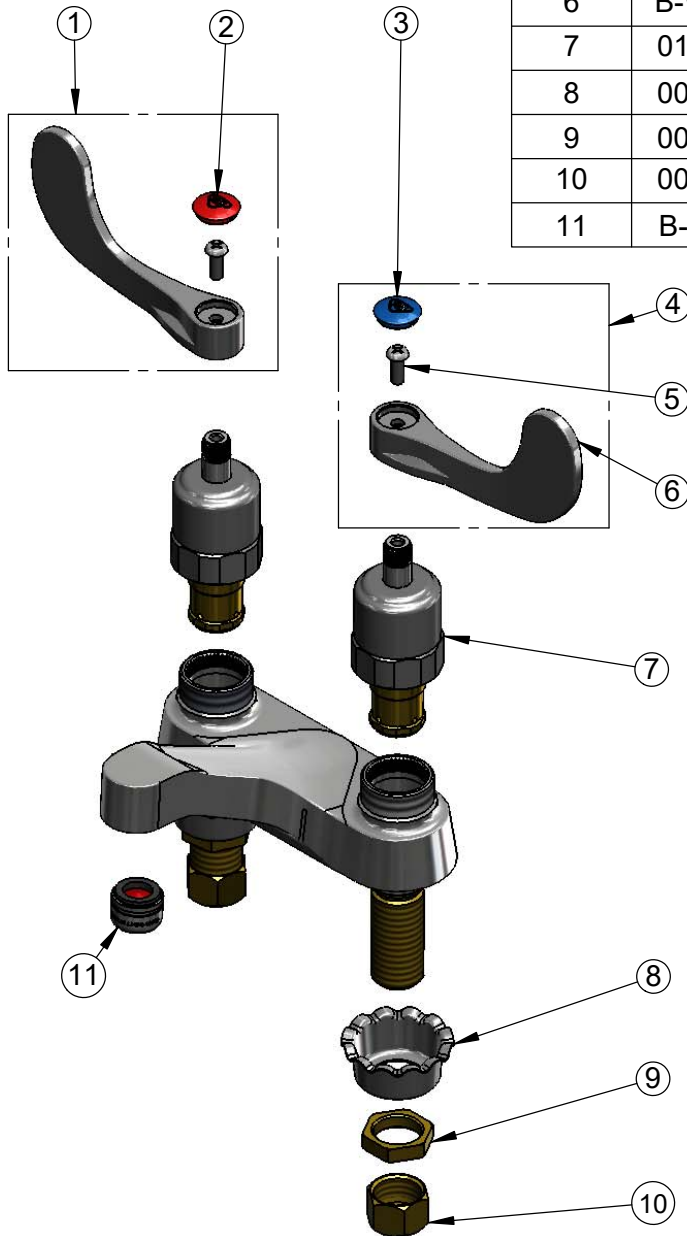
Model No.

B-0831-WA

Item No.

Travelers Rest, SC: 800-476-4103 • Simi Valley, CA: 800-423-0150 • Fax: 864-834-3518 • www.tsbrass.com

ITEM NO.	SALES NO.	DESCRIPTION
1	B-WH4H-NS	Wrist Action Handle, Red Index & Screw
2	001193-19NS	Red Button Index, Press-in
3	018506-19NS	Blue Button Index, Press-in
4	B-WH4C-NS	Wrist Action Handle, Blue Index & Screw
5	000925-45	Lab Handle Screw
6	B-WH4-NS	Wrist Action Handle (New Style)
7	012449-40	Wrist Action Metering Cartridge Assembly
8	001000-45	Rosette Washer
9	002954-45	Shank Lock Nut
10	000958-20	Coupling Nut
11	B-0199-03	2.2 GPM Aerator



Product Specifications:
 4" Centerset Metering Mixing Faucet, Metering Cartridges, 4" Wrist Action Handles & 2.2 GPM Aerator & 1/2" NPSM Male Shanks

Product Compliance:
 ASME A112.18.1 / CSA B125.1
 NSF 61 - Section 9
 NSF 372 (Low Lead Content)
 ANSI A117.1 (ADA)