



**T&S BRASS AND BRONZE WORKS, INC.**  
 2 Saddleback Cove / P.O. Box 1088  
 Travelers Rest, SC 29690

Model No.

**B-0712-VF05**

Item No.

Travelers Rest, SC: 800-476-4103 • Simi Valley, CA: 800-423-0150 • Fax: 864-834-3518 • www.tsbrass.com



**ADA Compliant**

This Space for Architect/Engineer Approval

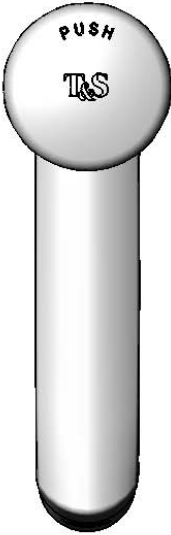
Job Name \_\_\_\_\_ Date \_\_\_\_\_

Model Specified \_\_\_\_\_ Quantity \_\_\_\_\_

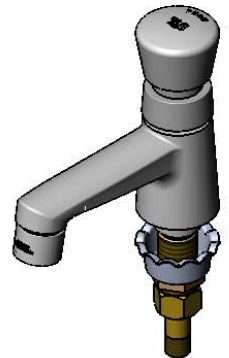
Customer/Wholesaler \_\_\_\_\_

Contractor \_\_\_\_\_

Architect/Engineer \_\_\_\_\_



Spanner Bit for Access to Metering Adjustment Included. (Metering Adjustment Requires 3/32" Hex Key)



Push Button Metering Cartridge

0.5 GPM VR Non-Aerated Spray Device

Ø 1 3/4" [44mm] Base

Mounting Surface

1/2" NPSM Male Inlet

2 5/16" [59mm]

7/8" [21mm]

150A Optional Tailpiece & Nut For 1/4" NPT Connection (Included)

4 1/8" [105mm]

4 5/8" [118mm]

13/16" [21mm] Maximum Thickness

Rough-In Requirement:  
 Ø 1 1/8" [29mm] Mounting Hole

Product Specifications:

Single Hole Single Temperature Deck Mount Basin Faucet, Push Button Metering Cartridge, 0.5 GPM Non-Aerated Spray Device & 1/2" NPSM Male Inlet

Product Compliance:

ASME A112.18.1 / CSA B125.1  
 NSF 61 - Section 9  
 NSF 372 (Low Lead Content)  
 ANSI A117.1 (ADA)



# T&S BRASS AND BRONZE WORKS, INC.

2 Saddleback Cove / P.O. Box 1088  
Travelers Rest, SC 29690

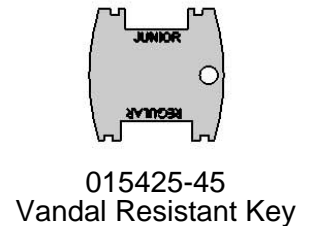
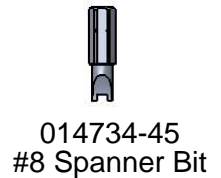
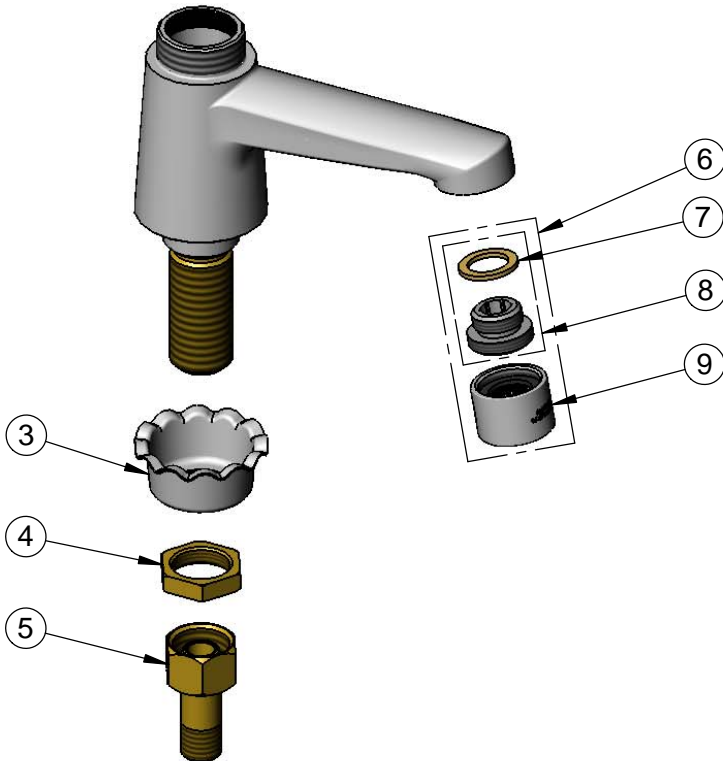
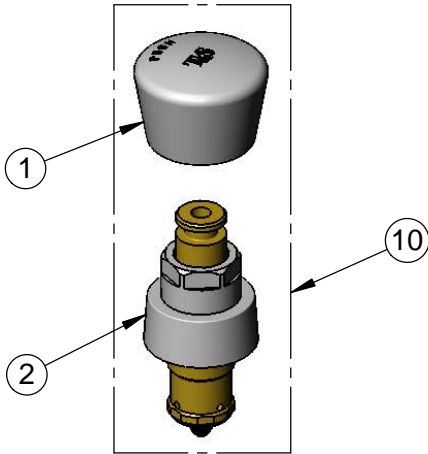
Model No.

**B-0712-VF05**

Item No.

Travelers Rest, SC: 800-476-4103 • Simi Valley, CA: 800-423-0150 • Fax: 864-834-3518 • www.tsbrass.com

ITEM NO.	SALES NO.	DESCRIPTION
1	014193-40	Blank Push Button Cap w/ Spanner Bit
2	238A	Push Button Metering Cartridge
3	001000-45	Rosette Washer
4	002954-45	Shank Lock Nut
5	150A	1/4" NPT Tailpiece & Nut
6	B-0199-07-N05	VR 0.5 GPM Non-Aerated Spray Device, 3/8" NPSM Male w/ Key
7	001043-45	Washer
8	044A	3/8" to Aerator Adapter w/ Washer
9	B-0199-06-N05	VR 0.5 GPM Non-Aerated Spray Device, 55/64-27 UN Female w/ Key
10	238AB	Metering Cartridge w/ Blank Push Button Cap & Spanner Bit



**Product Specifications:**

Single Hole Single Temperature Deck Mount Basin Faucet, Push Button Metering Cartridge, 0.5 GPM Non-Aerated Spray Device & 1/2" NPSM Male Inlet

**Product Compliance:**

ASME A112.18.1 / CSA B125.1  
NSF 61 - Section 9  
NSF 372 (Low Lead Content)  
ANSI A117.1 (ADA)