



T&S BRASS AND BRONZE WORKS, INC.
 2 Saddleback Cove / P.O. Box 1088
 Travelers Rest, SC 29690

Model No.

B-0199-VR-KEY

Item No.

Travelers Rest, SC: 800-476-4103 • Simi Valley, CA: 800-423-0150 • Fax: 864-834-3518 • www.tsbrass.com

This Space for Architect/Engineer Approval

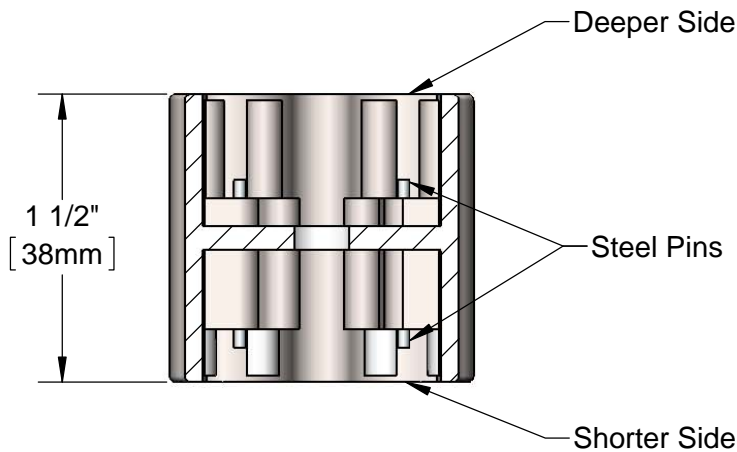
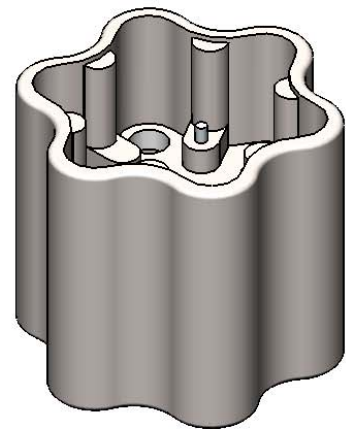
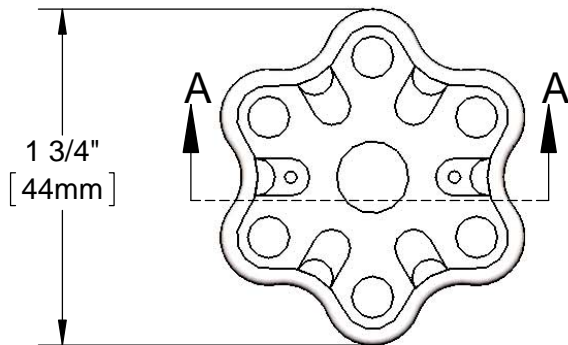
Job Name _____ Date _____

Model Specified _____ Quantity _____

Customer/Wholesaler _____

Contractor _____

Architect/Engineer _____



SECTION A-A

Notes:

1. To install or replace female vandal proof aerators, utilize the side with the deeper metal points
2. To install or replace male vandal proof aerators, utilize the side with the shorter metal points

Product Specifications:
 Vandal Resistant Aerator Key with Steel Pins

Product Compliance: