

*This Space for Architect/Engineer Approval*

Job Name \_\_\_\_\_ Date \_\_\_\_\_

Model Specified \_\_\_\_\_ Quantity \_\_\_\_\_

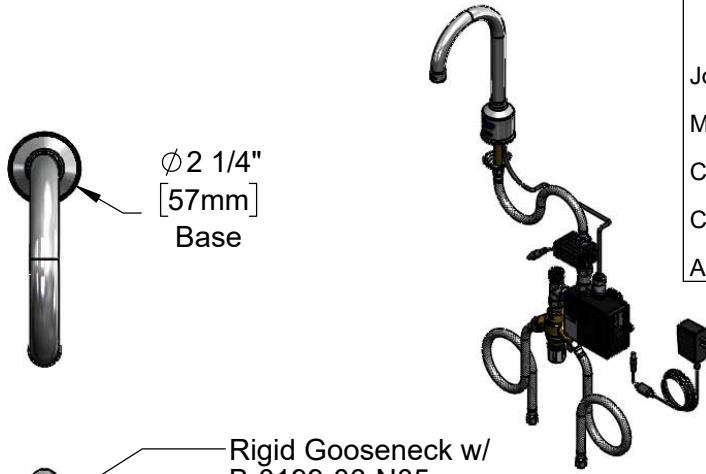
Customer/Wholesaler \_\_\_\_\_

Contractor \_\_\_\_\_

Architect/Engineer \_\_\_\_\_



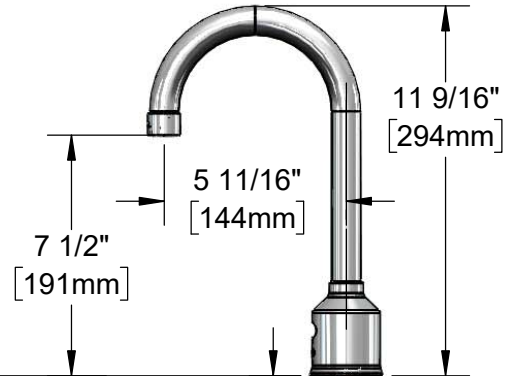
**ADA Compliant**



Ø 2 1/4"  
[57mm]  
Base

Rigid Gooseneck w/  
B-0199-06-N05  
VR 0.5 GPM [1.9 LPM]  
Non-Aerated Spray Device  
& Key

24" [610mm]  
Sensor Cable



Mounting Surface

1 7/8"  
[47mm]  
Maximum  
Thickness

Hydro-Generator Power Supply.  
No AA Batteries or AC Adapter  
Needed to Supply Power to  
Faucet. (Connect Plug to Power  
Port)

3 5/8" x 4 3/16" x 2"  
[92mm x 106mm x 51mm]  
Water Resistant Control  
Module Box (Black) w/  
AC or DC Operated w/  
(4) AA Batteries

Optional  
100-240 VAC Adapter  
w/ 71" [1800mm]  
Power Cord. (Remove  
Rubber Plugs on Module  
and Cable to Connect)

(2) 3/8" Compression x 1/2" NPSM  
18" [457mm] Flexible Stainless Steel  
Supply Hoses

5EF-TMV  
ASSE 1070 Thermostatic Temperature  
Mixing Valve w/ Check Valves

1/2" NPSM x  
1/4" NPSM  
18" [457mm]  
Flexible  
Stainless Steel  
Hose

Removable  
Strainer

Rough-In Requirement:  
Ø 1" [25mm] Mounting Hole

Model Number

**5EF-1D-DG-V5THG**

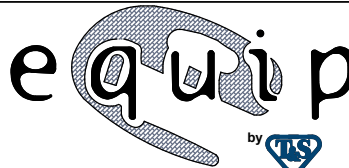
Product Specifications:

Electronic Faucet: Deck Mount, Rigid Gooseneck w/ VR 0.5 GPM Non-Aerated Spray Device, Hydro-Generator, AC-DC Control Module, Thermostatic Temperature Control Mixing Valve w/ Check Valves & 18" Long Flexible Supply Hoses

Product Compliance:

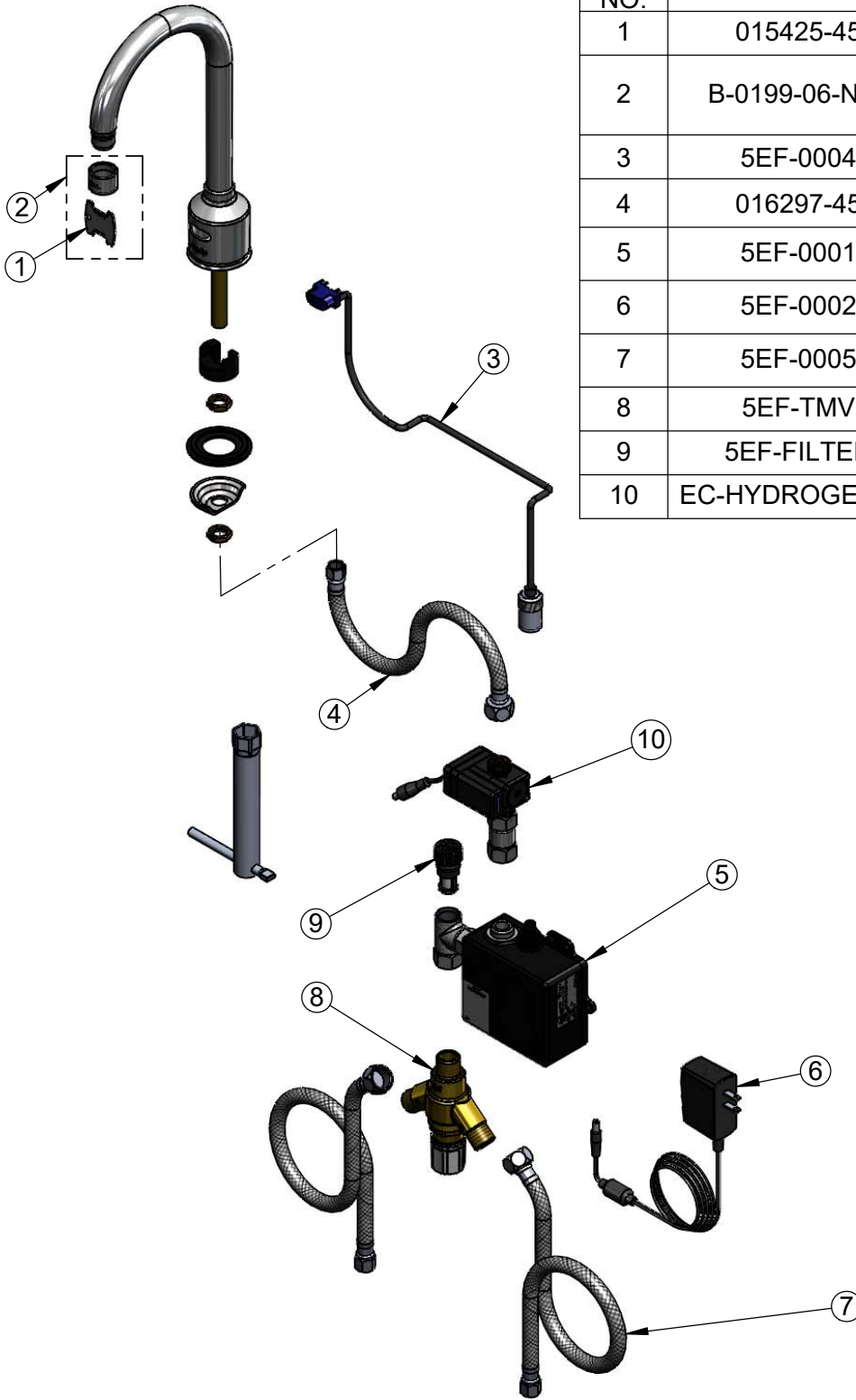
ASME A112.18.1 / CSA B125.1  
NSF 61 - Section 9  
NSF 372 (Low Lead Content)  
ANSI A117.1 (ADA)  
UL 1951  
ASSE 1070 (TMV)

equip  
Foodservice  
Accessories



2 Saddleback Cove, P.O. Box 1088  
Travelers Rest, South Carolina 29690  
Phone: 800.891.4808 Fax: 800.868.0084  
equip.tsbrass.com

ITEM NO.	SALES NO.	DESCRIPTION
1	015425-45	Vandal Resistant Key
2	B-0199-06-N05	VR 0.5 GPM Non-Aerated Spray Device, 55/64-27 UN Female w/ Key
3	5EF-0004	24" Sensor Cable
4	016297-45	Inlet Hose, Faucet, 1/2" NPSM Female x 1/4" NPSM Female
5	5EF-0001	equip Sensor Faucet - Control Module
6	5EF-0002	equip AC Transformer, 100-240 VAC
7	5EF-0005	Supply Hose, 9/16-24 Female x 1/2" NPSM
8	5EF-TMV	Thermostatic Mixing Valve
9	5EF-FILTER	Replacement Filter
10	EC-HYDROGEN-LF	Low Flow Hydrogenerator



Model Number

**5EF-1D-DG-V5THG**

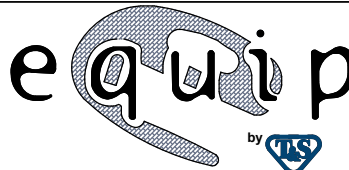
Product Specifications:

Electronic Faucet: Deck Mount, Rigid Gooseneck w/ VR 0.5 GPM Non-Aerated Spray Device, Hydro-Generator, AC-DC Control Module, Thermostatic Temperature Control Mixing Valve w/ Check Valves & 18" Long Flexible Supply Hoses

Product Compliance:

ASME A112.18.1 / CSA B125.1  
 NSF 61 - Section 9  
 NSF 372 (Low Lead Content)  
 ANSI A117.1 (ADA)  
 UL 1951  
 ASSE 1070 (TMV)

equip  
 Foodservice  
 Accessories



2 Saddleback Cove, P.O. Box 1088  
 Travelers Rest, South Carolina 29690  
 Phone: 800.891.4808 Fax: 800.868.0084  
 equip.tsbrass.com