

OVERHEAD BRACKETING SYSTEM

» 523-3MS SERIES

Heavy Duty PowerBar™ Mini Strut

ITEM # SUBMITTED	_____
JOB NAME	_____
LOCATION	_____
ENGINEER	_____
CONTRACTOR	_____
PO#	_____ TAG _____

SPECIFICATION

Sioux Chief 523-3MS series Heavy Duty PowerBar Mini Strut shall be used where necessary for hanging pipes overhead from 3/8" threaded rod. Bracket shall be corrosion resistant. System shall include adjustable channel clamps with elastomer inserts for fastening any pipe, tube, cable, etc. up to 2" maximum diameter. Bracket shall be used with Sioux Chief Touchdown Clamps or Sioux Chief Touchdown II Clamps. System shall be approved for use with insulated or non-insulated copper tube, CPVC tube, PEX/PB tube, steel pipe, CSST lines, plastic or steel conduit and low voltage DataCom cable. System shall be UV resistant.

INSTALLATION

Once adjustable clamps are installed in bracket channel, install onto 3/8" all-thread rod and suspend bracket, using approved 3/8" hex nuts and washers. When specified, use hardware above and below bracket channel. Move adjustable clamps to desired location within bracket channel. Place conduit between clamp posts and engage clamp bridge. Ratchet bridge of channel clamp down over both posts evenly. Install optional Sioux Chief Touchdown II adjustable clamp to secure large diameter pipe or tube up to 2" diameter. Approved galvanized two-hole pipe strap fastened directly to bracket is acceptable. Optional SaddleUp™ clamp from Sioux Chief with stainless steel worm gear band to secure pipes larger than 2" diameter is acceptable.

MATERIALS

Bracket: 16 gauge galvanized steel
Channel clamp: nylon, UL94 V2 flame rating
Clamp insert: thermoplastic elastomer

LOAD RATINGS

BRACKET:

Short bracket: 250-lbs.

Long bracket: 100-lbs.

CHANNEL CLAMP:

Temp	Safe Load*
-10°F – 130°F	70 lbs.
131°F – 179°F	38 lbs.
180°F – 220°F	12 lbs.

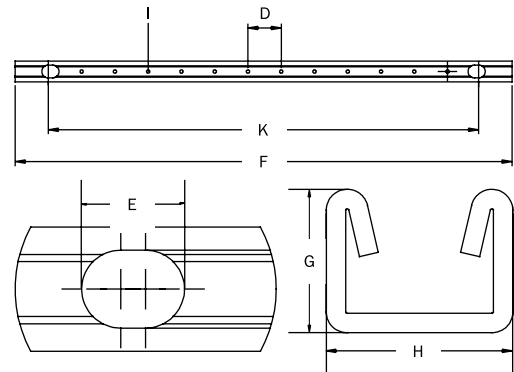
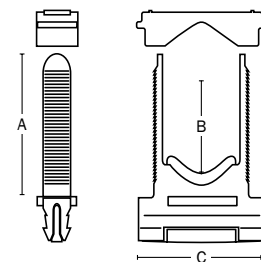
*Safe working load = 1/2 failure of centrally hung load

DIMENSIONS

	TouchDown Clamp	Short Bracket	Long Bracket
A: channel clamp post	1 7/8"	—	—
B: channel clamp capacity	1/4"-1 1/8"	—	—
C: channel clamp base	1 7/8"	—	—
D: pilot hole spacing (centerline)	—	1.0"	1.0"
E: all-thread hole diameter	—	0.515"	0.515"
F: bracket length	—	15.00"	26.00"
G: bracket height	—	0.465"	0.465"
H: bracket width	—	0.675"	0.675"
I: bracket pilot hole diameter	—	0.100"	0.100"
J: bracket thickness	—	16 - ga.	16 - ga.
K: bracket centerline (holes for all-thread)	—	13.00"	24.00"



523-3MS2



Made in USA

Create Item Number

523-3MSAB

e.g. 523-3MSS2: steel bracket with two channel clamps

BRACKET CONFIGURATION A

L = (26") long bracket
S = (15") short bracket

NUMBER OF CLAMPS B

_ = bracket only, no channel clamps
2 = bracket, two channel clamps*
3 = bracket, three channel clamps*

*Not available for 26" bracket