

CTS EXTENSION HANGER

»» 512 SERIES

SPECIFICATION

Sioux Chief's 512 series CTS pipe hanger shall be used where necessary to secure copper piping according to all national code requirements. Hanger shall be 18-gauge epoxy coated steel. Stem length should measure either 6" or 12" from the top of the pipe loop. Hanger stem shall have mounting holes. Attaches to wood members.

INSTALLATION

Secure hanger to structure. Loosen screws and insert nominal copper tube. Tighten screws to support tube securely.

MATERIALS

Hanger: 18-gauge epoxy-coated steel

MAXIMUM RECOMMENDED LOAD

25 lbs.

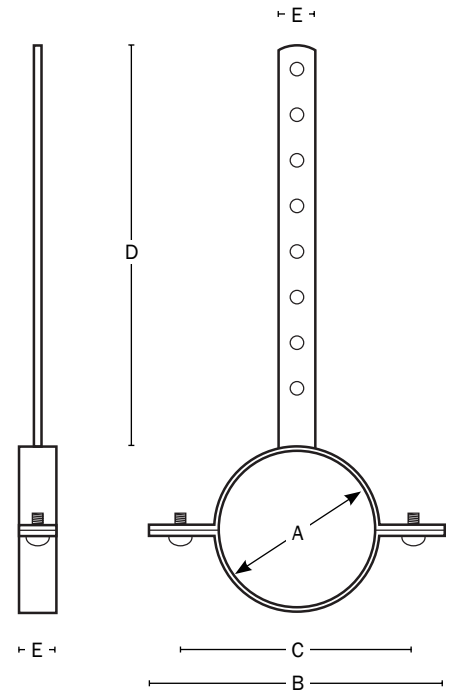
DIMENSIONS

	512-2	512-3	512-4
A: Tube size	1/2"	3/4"	1"
B: Overall width	2 3/16"	2 3/8"	2 7/16"
C: Centerline of screws	1 9/16"	1 3/4"	1 7/8"
D: Stem length	6" or 12"	6" or 12"	6" or 12"
E: Width	1/2"	1/2"	1/2"

ITEM # SUBMITTED	_____
JOB NAME	_____
LOCATION	_____
ENGINEER	_____
CONTRACTOR	_____
PO#	_____ TAG _____



512-36PK



Made in China

Create Item Number

512-ABPK

e.g. 512-36PK: 3/4" x 6" CTS extension hanger

TUBE SIZE A

2 = 1/2"

3 = 3/4"

4 = 1"

STEM LENGTH B

6 = 6"

12 = 12"