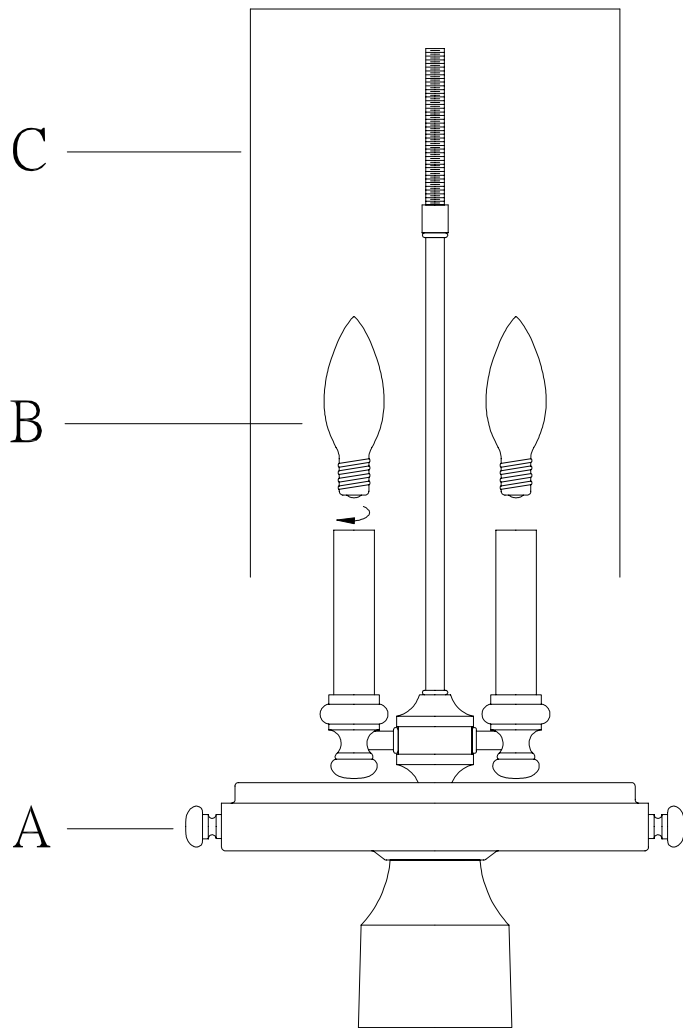
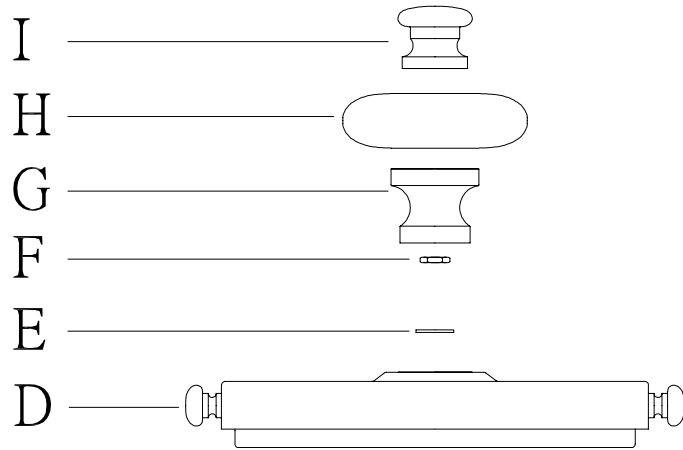




Assembly Drawing For

5-1223-40



- B-A
- C-A
- D-C
- E-D
- F-E
- G-F
- H-G
- I-H