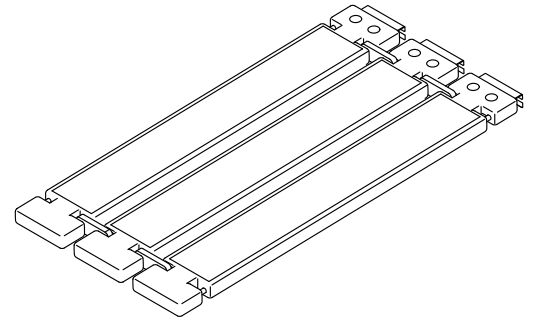


**Features**

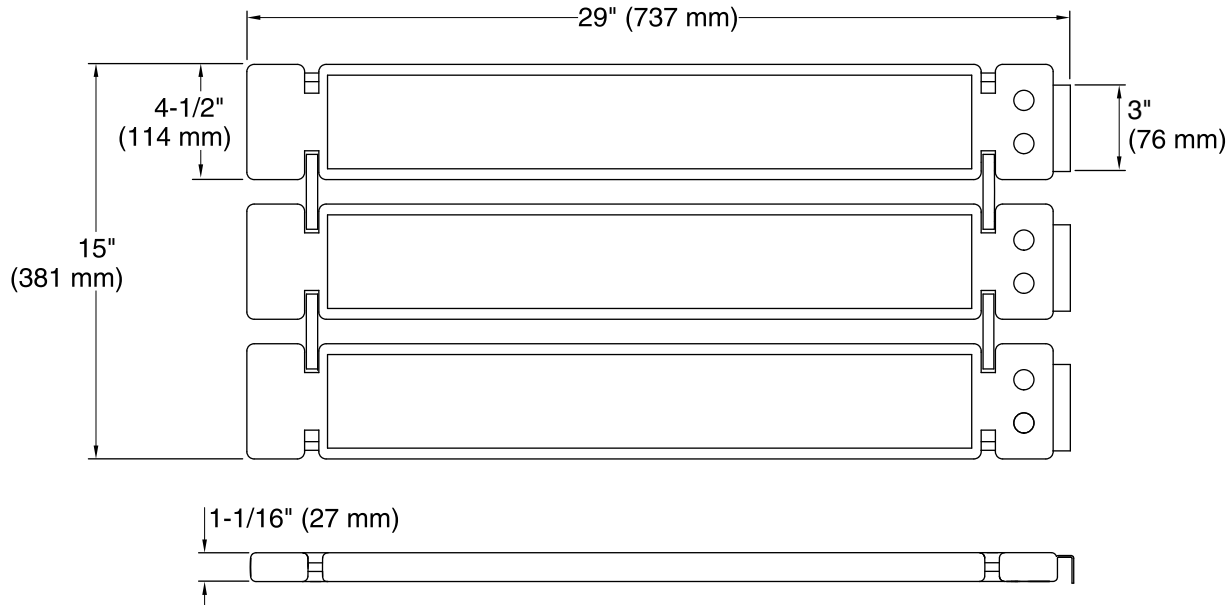
- Polyethylene
- Includes stainless steel brackets



**Codes/Standards**

None Applicable

**STERLING® Warranty - Grab Bars**  
See website for detailed warranty information.



**Technical Information**

All product dimensions are nominal.