

**Features**

- Frameless
- 1/4" glass
- CleanCoat technology
- Reversible top track
- Interior and exterior towel bars
- Out-of-plumb adjustability
- Tempered glass ensures maximum safety and durability
- Anodized aluminum prevents rusting or corrosion

**Installation**

- Not for use in hospitality.
- For residential use only.

**Included Components**

Additional Components:  
Hardware kit



**Codes/Standards**

ANSI Z97.1  
CPSC 16CFR 1201

**STERLING® Warranty - Bath and Shower Doors**

See website for detailed warranty information.

**Available Colors/Finishes**

*Color tiles intended for reference only.*

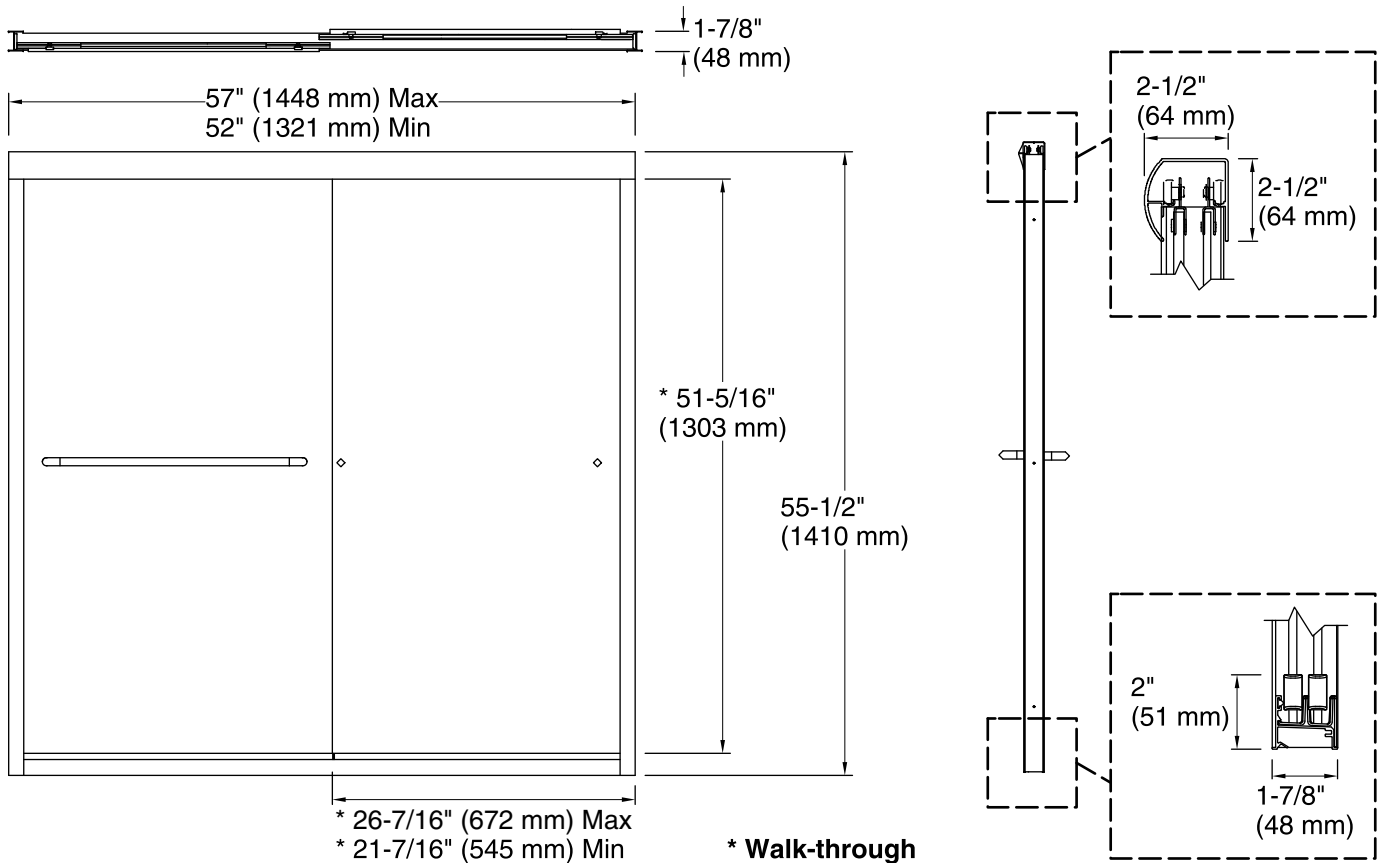
**Color Code Description**

DR  
PB  
S

**Available Glass Options**

**Code Description**

Clear



### Technical Information

All product dimensions are nominal.

Installation type: For bath installation

Opening Width - Min: 52" (1321 mm)

Opening Width - Max: 57" (1448 mm)

Walk-through - Min: 21-7/16" (545 mm)

Walk-through - Max: 26-7/16" (672 mm)

Glass thickness: 1/4" (6 mm)

Glass coating: CleanCoat®

### Notes

Install this product according to the installation guide.

The vertical opening should be a minimum of 57-1/2" (1461 mm) to allow for installation clearance.