

**CODE NUMBER**

24531415

**DESCRIPTION**

ST-2459 Water Closet and REGAL 111 SFSM Flushometer.

**COMPONENTS**

- Flushometer: Code 3080053
- Water Closet: Code 2102459

**DETAILS**

- Flush Volume: 1.6 gpf (6.0 Lpf)
- Nominal Dimensions: 26 ¾" x 15" x 13 ¼" (679 x 381 x 337mm)

**FLUSHOMETER FEATURES**

- ADA Compliant Metal Oscillating Non-Hold-Open Handle
- 1" I.P.S. Screwdriver Bak-Chek® Angle Stop
- Control Stop Plug
- Sweat Solder Adapter with Cover Tube
- Cast Wall Flange with Set Screw
- Vacuum Breaker Flush Connection
- Non-Hold-Open Handle and No External Volume Adjustment to Ensure Water Conservation

**FIXTURE FEATURES**

- White Vitreous China
- Elongated bowl
- Wall mounted, wall outlet
- Siphon jet flushing action achieves 1000g Map score when used with any Sloan flushometer
- Static load rating of 750 lbs (see Notes)
- Water spot area: 10⅞" x 9⅜" (26 cm x 24 cm)
- 1½" I.P.S. top spud inlet
- 2⅜" fully glazed trapway
- Toilet seat not included
- Static load rating of 750 lbs. (See Notes)



**COMPLIANCES & CERTIFICATIONS**



(ADA Compliant, BAA Compliant, cUPC Certified, cUPC Certified (Requires use of listed vacuum breaker that complies with ASSE 1001))

**DOWNLOADS**

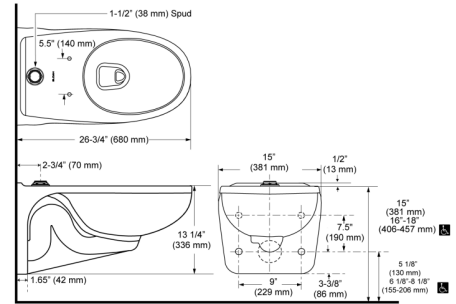
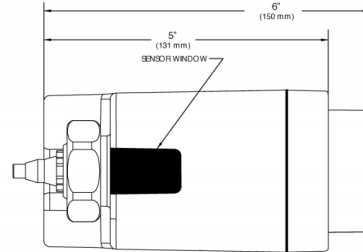
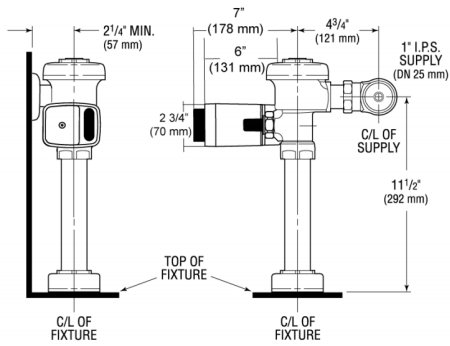
- [ST-2459 Installation Instructions](#)
- [Regal XL Exposed Installation Instructions](#)
- [EBV-500/550-A Installation Instructions](#)
- [Regal Flushometers Repair and Maintenance Guide](#)
- [SS/ST/SU/WETS/WEUS Fixtures Repair and Maintenance Guide](#)
- [EBV500/EBV550 Repair and Maintenance Guide](#)
- [Additional Downloads](#)

**NOTES**

All information contained within this document subject to change without notice.

Static load tested according to the procedure outlined in Section 6.7 of ASME A112.19.2. Not recommended for bariatric use.

**ROUGH-IN**



**Sloan 10500 Seymour Ave, Franklin Park, IL 60131**  
Phone: 800.982.5839 • Fax: 800.447.8329 • [sloan.com](http://sloan.com)