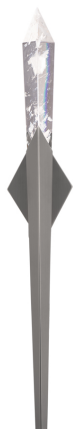
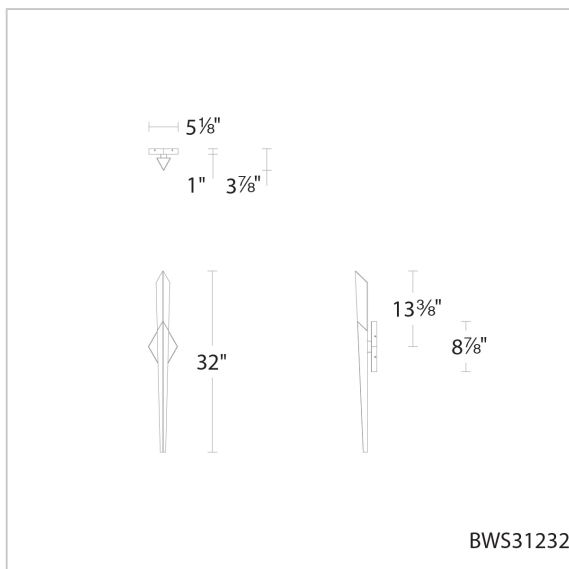


# Solitude

BWS31232



## LINE DRAWING



Project:

Location:

Fixture Type:

Catalog Number:

## DESCRIPTION

Luxuriously crafted and beautifully designed to add dramatic character to any space, a spear of Optic Haze crystal composed of natural quartz gemstone illuminates and gravitates with bolts of luminous energy.

## FEATURES

- Optic Haze™, made of natural quartz, has unique variations in luster, hue, patterning and texture inherent to this material. When illuminated, the dimension of the crystal is beautifully accented.
- Built in color temperature adjustability. Switch from 3000K/3500K/4000K. Switch may be installed in junction box.
- Driver concealed within the canopy

## CRYSTAL OPTIONS



Optic Haze  
Crystal  
(OH)

## FINISH OPTIONS



Antique  
Nickel  
(-AN)



Aged Brass  
(-AB)

## SPECIFICATIONS!

Light Source	LED
CRI	90
Dimming	ELV, Triac
Standards	ETL/cETL, Title 24

## REPLACEMENT PARTS

RPL-GLA-31232 - Replacement Crystal BWS31232

Model	Crystal	Finish	Size	CCT	Voltage	Wattage	Weight	LED Lumens	Delivered Lumens
BWS31232	OH	- AN - AB	32"	3000K/3500K/ 4000K	120V/277V	21W	4.2lbs	1236	Up To 900

### Example: BWS31232-AN

Solitude

[schonbek.com](http://schonbek.com)

Phone (800) 836.1892 | Fax: (518) 563.4228

Headquarters/Eastern Distribution Center

61 Industrial Blvd, Plattsburgh, NY 12901