

MIRAGE

BWS16216



Project: _____

Location: _____

Fixture Type: _____

Catalog Number: _____

AVAILABLE FINISHES



BK: Black

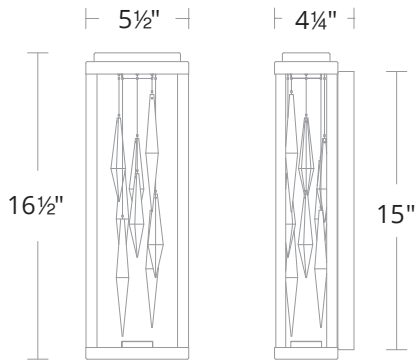
DESCRIPTION

Awe-inspiring pieces of micro crystals render a fascinating abstract sconce that mesmerizes and enchants. This geometric LED sconce offers built-in adjustability for 3000K, 3500K or 4000K color temperature illumination.

FEATURES

- Inner mirror grade backing plate
- Built-in color temperature adjustability switch from 3000K/3500K/4000K at time of installation
- Thin canopy conceals a proprietary universal 120V-220V-277V driver.

LINE DRAWING



SPECIFICATIONS

CRI	90
Dimming	ELV, 0-10V, TRIAC
Standards	ETL/cETL, Damp

REPLACEMENT PARTS

- RPL-GLA-16216-01 - Crystal (Short)
- RPL-GLA-16216-02 - Crystal (Long)

Model	Size	LED Color Temp	Finish	Voltage	Wattage	Weight	LED Lumens	Delivered Lumens
BWS16216	17"	3000K/3500K/4000K	BK Black	120-277V	12W	7 lb	562	171

Example: **BWS16216-BK**