

CORINTH

BPD74232



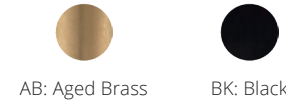
Project:

Location:

Fixture Type:

Catalog Number:

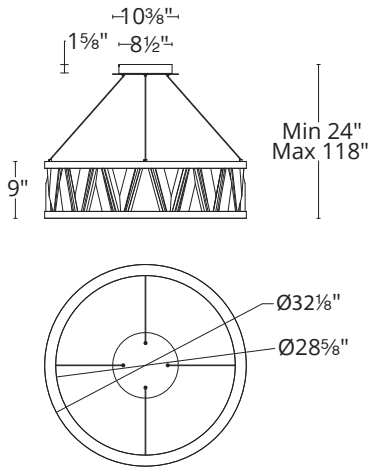
AVAILABLE FINISHES



DESCRIPTION

Adorned with large trillion-diamond shaped Schonbek optic haze crystals composed of natural quartz gemstone. Corinth is a new statement on crystal. Hidden light sources and powered aircraft cables elevate a conservative profile with intrigue and technology. The solid double ring body is finished in crystal haze and deploys ambient up lighting.

LINE DRAWING



FEATURES

- Crystal Haze is thoughtfully engineered from quartz rock crystal with tracers of natural elements found on Earth. Each organic element illuminates beautifully to entice and radiate with its natural and unique, inherent variations in luster, hue, patterning and texture.
- Each hand selected piece features unique variations
- Built-in color temperature adjustability switch from 3000K/3500K/4000K at time of installation
- Thin powered aircraft cables provide an ultra clean look for adjustable suspension height
- Spin-on round canopy with minimal hardware
- Thin canopy conceals a proprietary universal 120V-220V-277V driver
- Can be mounted on a sloped ceiling

SPECIFICATIONS

CRI	90
Dimming	ELV, 0-10V, TRIAC
Standards	ETL/cETL, Damp, Title 24

REPLACEMENT PARTS

- RPL-GLA-74232 - Optic Haze Crystal

Model	Size	LED Color Temp	Finish	Voltage	Wattage	Weight	LED Lumens	Delivered Lumens
BPD74232	32"	3000K/3500K/4000K	AB Aged Brass BK Black	120-277V	56W	66 lb	3447	2950

Example: BPD74232-BK