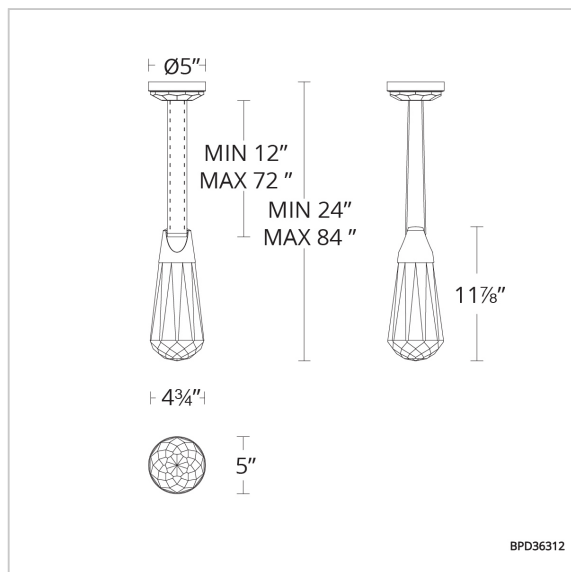


Strapped

BPD36312



LINE DRAWING



Project:

Location:

Fixture Type:

Catalog Number:

DESCRIPTION

Mixed materials devise a textured aesthetic. A single brilliant optic haze pendant suspended from leather strapping and chrome reflects light in all directions. The sparkle is enhanced by a crystal-encrusted canopy.

FEATURES

- Optic Haze™, made of natural quartz, has unique variations in luster, hue, patterning and texture inherent to this material. When illuminated, the dimension of the crystal is beautifully accented.
- Built in color temperature adjustability. Switch from 3000K/3500K/4000K. Switch may be installed in junction box.
- Leather suspension belt can be trimmed to customized length
- Illuminated crystal accent on the canopy
- Can be mounted on a sloped ceiling.
- Driver concealed within the canopy

CRYSTAL OPTIONS



Optic Haze
Crystal
(OH)

FINISH OPTIONS



Polished
Nickel
(-PN)

SPECIFICATIONS!

Light Source	LED
CRI	90
Dimming	ELV, Triac
Standards	ETL/cETL

REPLACEMENT PARTS

RPL-GLA-36312 - Replacement Optic Hazy Crystal

Model	Crystal	Finish	Size	CCT	Voltage	Wattage	Weight	LED Lumens	Delivered Lumens
BPD36312	OH	- PN	12"	3000K/3500K/ 4000K	120V/277V	16W	11.9lbs	1005	Up To 771

Example: BPD36312-PN

Strapped

schonbek.com
Phone (800) 836.1892 | Fax: (518) 563.4228

Headquarters/Eastern Distribution Center
61 Industrial Blvd, Plattsburgh, NY 12901