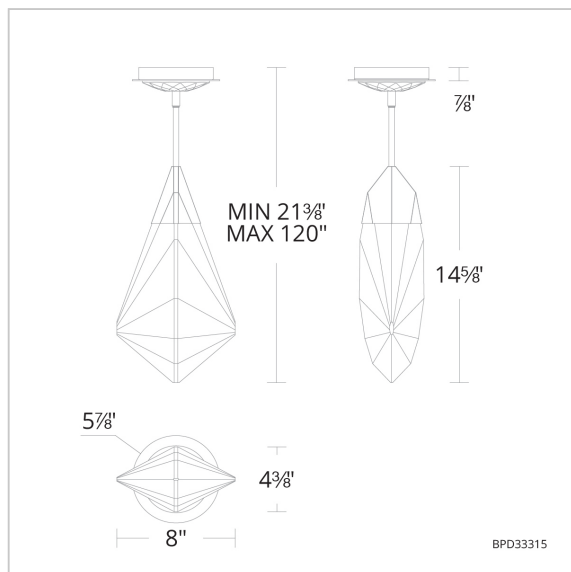


# Fazzoletto

BPD33315



## LINE DRAWING



Project:

Location:

Fixture Type:

Catalog Number:

## DESCRIPTION

Filled with the light of imagination, faceted Optic Clear crystal presents a multi-layered depth. LED illumination creates infinite sparkling reflections from this jewel-like pendant and its glittering crystal canopy.

## FEATURES

- Three 12" and one 6" down rods included (additional sold separately for extension)
- Color temperature adjustability switch from 3000K/3500K/4000K at time of installation mounted within the canopy
- Thin canopy conceals a proprietary dual voltage 120V/277V driver
- Spin-on round canopy with minimal hardware
- Can be mounted on a sloped ceiling.
- Driver concealed within the canopy

## CRYSTAL OPTIONS



Optic Crystal  
(O)

## FINISH OPTIONS



Black  
(-BK)



Aged Brass  
(-AB)

## SPECIFICATIONS!

Light Source	LED
CRI	90
Dimming	ELV, Triac
Standards	ETL/cETL, Title 24,

## REPLACEMENT PARTS

- RPL-GLA-33315 - Replacement Crystal BPD33315
- RPL-RODIN12-886-AB - 12" Rod (AB)
- RPL-RODIN06-886-AB - 6" Rod (AB)
- RPL-GLA-33315-01 - Canopy Crystal
- RPL-RODIN12-886-BK - 12" Rod (BK)
- RPL-RODIN06-886-BK - 6" Rod (BK)

Model	Crystal	Finish	Size	CCT	Voltage	Wattage	Weight	LED Lumens	Delivered Lumens
BPD33315	O	- BK - AB	15"	3000K/3500K/ 4000K	120V/277V	9W	16.1lbs	450	Up To 372

## Example: BPD33315-BK

Fazzoletto

[schonbek.com](http://schonbek.com)

Phone (800) 836.1892 | Fax: (518) 563.4228

Headquarters/Eastern Distribution Center

61 Industrial Blvd, Plattsburgh, NY 12901