

# MIRAGE

BPD16254



Project: \_\_\_\_\_  
Location: \_\_\_\_\_  
Fixture Type: \_\_\_\_\_  
Catalog Number: \_\_\_\_\_

## AVAILABLE FINISHES

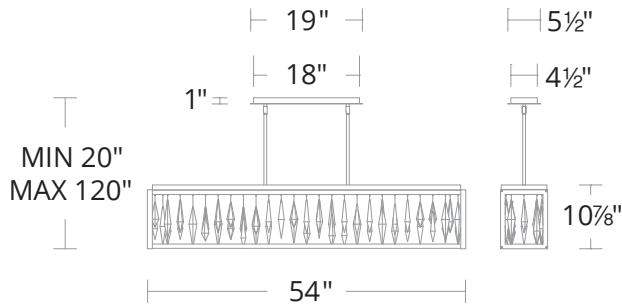


BK: Black

## DESCRIPTION

Awe-inspiring crescent silhouettes of over 20,000 pieces of micro crystals render a Fascinating abstract aesthetic that will mesmerize from above. The extensive geometric LED pendant offers built-in adjustability for 3000K, 3500K or 4000K color temperature illumination.

## LINE DRAWING



## FEATURES

- Inner mirror grade backing plate
- Built-in color temperature adjustability switch from 3000K/3500K/4000K at time of installation
- Thin canopy conceals a proprietary universal 120V-220V-277V driver
- Six 12" and two 6" down rods included (additional sold separately)
- Can be mounted on a sloped ceiling

## SPECIFICATIONS

CRI	90
Dimming	ELV, 0-10V, TRIAC
Standards	ETL/cETL, Damp, Title 24

## REPLACEMENT PARTS

- RPL-GLA-16254-01 - Crystal -01
- RPL-GLA-16254-02 - Crystal -02
- RPL-GLA-16254-03 - Crystal -03
- RPL-GLA-16254-04 - Crystal -04
- RPL-GLA-16254-05 - Crystal -05
- RPL-GLA-16254-06 - Crystal -06
- RPL-GLA-16254-07 - Crystal -07
- RPL-ROD-IN06-BK-01 - 6" Rod (BK)
- RPL-ROD-IN12-BK-01 - 12" Rod (BK)

Model	Size	LED Color Temp	Finish	Voltage	Wattage	Weight	LED Lumens	Delivered Lumens
BPD16254	54"	3000K/3500K/4000K	<b>BK</b> Black	120-277V	63W	43 lb	3841	2830

Example: BPD16254-BK