

WHISPER

BFM39212



Project: _____
Location: _____
Fixture Type: _____
Catalog Number: _____

AVAILABLE FINISHES



AB: Aged Brass



BK: Black



CH: Chrome

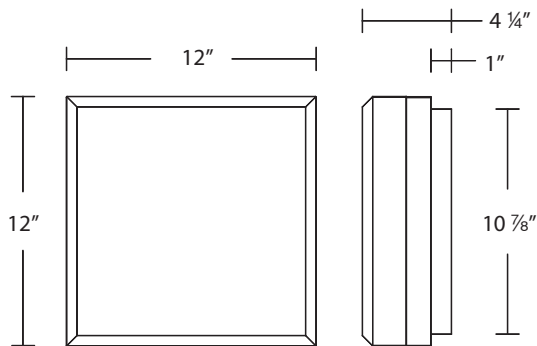
DESCRIPTION

A chiseled luminaire offers a dimensional look for a luxurious aesthetic. Schonbek optic haze crystal composed of natural quartz gemstone creates an elegant centerpiece for any room to complete a powerful architectural statement.

FEATURES

- Crystal Haze is thoughtfully engineered from quartz rock crystal with tracers of natural elements found on Earth. Each organic element illuminates beautifully to entice and radiate with its natural and unique, inherent variations in luster, hue, patterning and texture.
- Each hand selected piece features unique variations
- Built-in color temperature adjustability switch from 3000K/3500K/4000K at time of installation
- A proprietary universal 120V-220V-277V driver concealed within canopy
- Can be mounted on ceiling or wall in all orientations

LINE DRAWING



SPECIFICATIONS

CRI	90
Dimming	ELV, 0-10V, TRIAC
Standards	ETL/cETL, Damp, Title 24

Model	Size	LED Color Temp	Finish	Voltage	Wattage	Weight	LED Lumens	Delivered Lumens
BFM39212	12"	3000K/3500K/4000K	AB Aged Brass BK Black CH Chrome	120V-277V	41W	45 lb	3895	1476

Example: BFM39212-CH