

ASSEMBLY & INSTALLATION INSTRUCTIONS

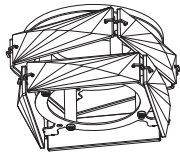
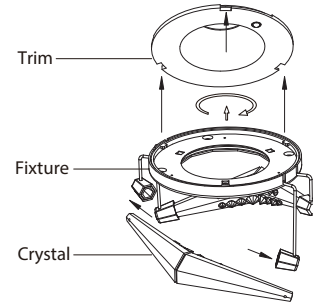
Recessed Light

BR40305/BR40310/BR40320/BR40325/BR40330

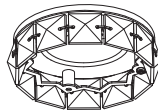


INSTALL DECORATIVE FIXTURE

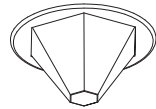
1. Lift and mount the fixture against the trim. Rotate the fixture in the direction of the arrow until it stops.
2. For BR40330, push the crystal into the cap to secure it.



BR40305



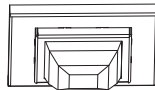
BR40310



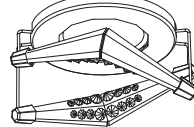
BR40315



BR40320



BR40325



BR40330

WARNING

IMPORTANT: NEVER attempt any work without shutting off the electricity.

- o Read all instructions before installing.
- o System is intended for installation in accordance with the National Electrical Code (NEC), other applicable installation code(s) and local regulations by a licensed electrician familiar with the operation of the product and the hazards involved.
- o Go to the main fuse box, or circuit breaker panel. Place the main power switch in the "OFF" position and unscrew the fuse (s) or switch "OFF" the circuit breaker switch (es) that control the power to the fixture (s) or room that you are working on.

- o Place the wall switch in the "OFF" position.

FAILURE TO INSTALL THIS FIXTURE IN ACCORDANCE WITH THESE INSTRUCTIONS MAY RESULT IN SERIOUS PERSONAL INJURY OR DEATH AND/OR PROPERTY DAMAGE.

CAUTION

- o All parts must be used as indicated in these instructions. Do not substitute any parts, leave parts out, or use any parts that are worn out or broken. Failure to follow this instruction could invalidate the ETL/CETL Listing of this fixture.
- o When handling the fixture, do not apply pressure to the LEDs or bulbs. Hold the fixture by the base only.
- o Do not exceed maximum wattage noted on the fixture. Use only the recommended LED or standard lamps with the fixture.

ADVERTENCIA

IMPORTANTE: NUNCA trate de hacer ningún trabajo sin desconectar la electricidad.

- o Lea todas las instrucciones antes de instalar.
- o El sistema tiene por objeto la instalación de acuerdo con el Código Eléctrico Nacional, y otros códigos de instalación y reglamentos locales aplicables, por parte de un electricista autorizado que esté familiarizado con el funcionamiento del producto y los peligros involucrados.
- o Vaya a la caja de fusibles o al panel de disyuntores principal. Ponga el interruptor principal de alimentación en la posición de "APAGADO", y desenrosque los fusibles o "DESCONECTE" los disyuntores que controlen la alimentación a los dispositivos o la habitación en los que usted está trabajando.
- o Ponga el interruptor de pared en la posición de "APAGADO".
- o EL HECHO DE NO INSTALAR ESTE DISPOSITIVO DE ACUERDO CON ESTAS INSTRUCCIONES PODRÍA RESULTAR EN UNA LESIÓN PERSONAL GRAVE O LA MUERTE, Y/O DAÑOS A LA PROPIEDAD.

PRECAUCIÓN

- o Todas las piezas deben usarse como se indica en estas instrucciones. No sustituya ninguna pieza, no deje piezas fuera, ni utilice ninguna pieza que esté desgastada ni rota. El hecho de no seguir estas instrucciones podría invalidar la certificación ETL/CETL de este dispositivo.
- o Al manipular el dispositivo, no aplique presión a los LED ni las bombillas. Sujete el dispositivo solo por la base.
- o No exceda la potencia máxima indicada en el dispositivo. Use solo los LED o las bombillas estándar recomendados con el dispositivo.

ADVERTENCIA

IMPORTANTE: NUNCA trate de hacer ningún trabajo sin desconectar la electricidad.

IMPORTANT : Ne JAMAIS entreprendre des travaux sans couper l'électricité.

- o Lire toutes les instructions avant l'installation.
- o Ce système est conçu pour être installé conformément au Code national de l'électricité ou d'autres codes d'installation et réglementations locales en vigueur par un électricien agréé connaissant le fonctionnement de ce produit et les dangers qu'il comporte.
- o Aller à la boîte à fusibles ou panneau principal de disjoncteurs. Placer l'interrupteur d'alimentation principal sur « ARRÊT » et dévisser le ou les fusibles ou mettre sur « ARRÊT » le ou les disjoncteurs qui contrôlent l'alimentation du ou des appareils électriques ou de la pièce dans laquelle vous travaillez.
- o Mettre l'interrupteur mural sur « ARRÊT » .
- o NÉGLIGER D'INSTALLER CET APPAREIL CONFORMÉMENT À CES INSTRUCTIONS RISQUE D'ENTRAÎNER DE GRAVES BLESSURES PERSONNELLES OU LA MORT AINSI QUE DES DOMMAGES MATÉRIELS.
- o MISE EN GARDE
- o Toutes les pièces doivent être utilisées comme indiqué dans ces instructions. Ne remplacer aucune pièce, ne laisser aucune pièce de côté ou n'utiliser aucune pièce usée ou cassée. Le non-respect de cette directive peut invalider l'homologation ETL/CETL de cet appareil.
- o Lors de la manipulation de cet appareil, n'appliquer aucune pression sur les DEL ou les ampoules. Maintenir l'appareil par la base uniquement.
- o Ne pas dépasser le nombre de watts maximum indiqué sur l'appareil. N'utiliser que les DEL ou ampoules standard recommandées dans cet appareil.



Schonbek, 61 Industrial Blvd, Plattsburgh, New York 12901

Phone: 1-800-836-1892 | Fax: 518-563-4228 |

www.schonbek.com

ASSEMBLY & INSTALLATION INSTRUCTIONS

Recessed Light

BR40305/BR40310/BR40315/BR40320/BR40325/BR40330



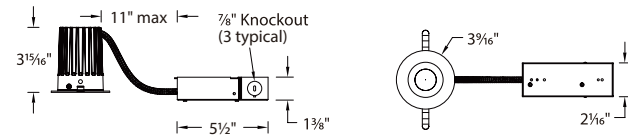
OVERVIEW

Housing is remodel Airtight IC or new construction Airtight IC (Refer to table below). Housing requires a trim for finished look. Refer to specification sheets for compatible trim options.

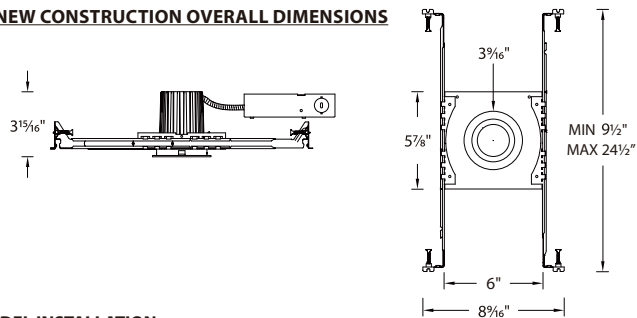
PREPARATION

1. Shut off the power at the circuit breaker and remove existing fixture, including the crossbar.
2. Carefully unpack your new fixture and lay out all the parts on a clear area. Be careful not to lose any small parts necessary for installation.

REMODEL OVERALL DIMENSIONS



NEW CONSTRUCTION OVERALL DIMENSIONS



HARDWARE

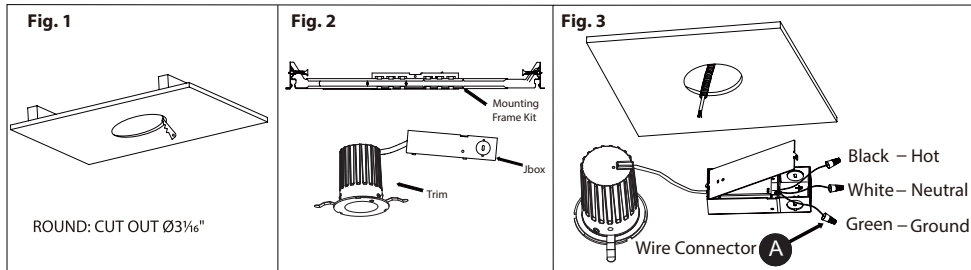
A



Wire Connector
Qty: 3 PCS+1 Extra

REMODEL INSTALLATION

1. At the point of installation, cut a $\text{Ø}3\frac{3}{16}$ " round hole for the trim (See Fig. 1). Ceiling thickness range is 1/2" to 1".
2. Take out fixture from packaging box. Remove trim and Jbox assembly from mounting frame kit. Use trim and Jbox assembly as remodel fixture, and throw away mounting frame kit (See Fig. 2).
3. Pull building supply wires through ceiling cutout and open fixture junction box door. Remove desired housing knockout and feed building wires into housing using appropriate connector.
4. Connect each supply wire with appropriate junction box wire connector (See Fig. 3). This fixture features electronic low voltage (ELV) or TRIAC dimming capabilities. To utilize ELV or TRIAC, wire black (line hot), white (line neutral) and green (ground) in accordance to dimmer specifications. When not using a dimmer, connect black fixture wire to hot, white fixture wire to neutral and green fixture wire to ground. Leave all other wires capped individually.



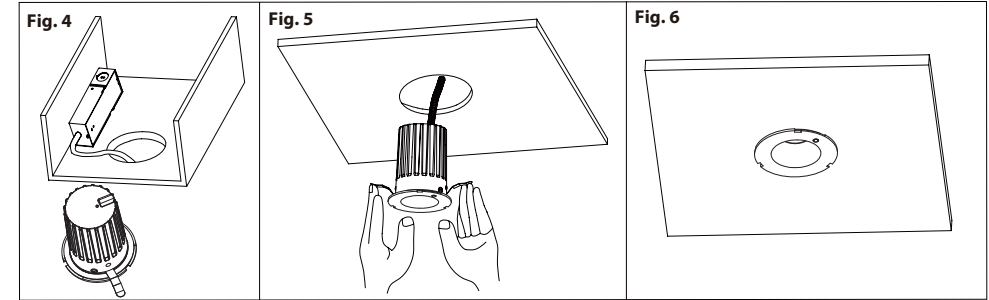
ASSEMBLY & INSTALLATION INSTRUCTIONS

Recessed Light

BR40305/BR40310/BR40315/BR40320/BR40325/BR40330

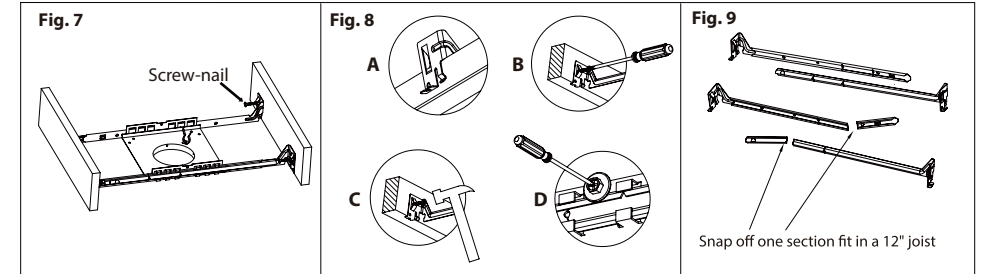


5. Place all wiring and connectors back in junction box and replace the junction box's cover.
6. Guide junction box through the cut hole and secure appropriately (See Fig. 4).
7. Fold trim assembly mounting springs inward and insert trim assembly into ceiling cutout. Be sure once installed, trim assembly is flush and secure (See Fig. 5&6).



NEW CONSTRUCTION INSTALLATION

1. Install mounting frame using two hanger bars ($24\frac{1}{2}$ " max). Bars are notched on the ends to fit over "T" bars in suspended ceilings (See Fig. 8A).
2. Hanger bars include a captive mounting "screw-nail" for ease of installation (See Fig. 7). Align the bottom of the hanger bar with the bottom of the wood joist. Secure the "screw-nail" on each end by screwdriver (See Fig. 8B), or by hammer (See Fig. 8C).
3. Slide fixture along bar hangers into desired location. Use locking screws to secure (See Fig. 8D).
4. To shorten hanger bars to fit in a 12" joist, snap off one section of the hanger bars (See Fig. 9).
5. Cut a $3\frac{3}{8}$ " diameter hole in the ceiling at the point of installation and install ceiling (See Fig. 1).
6. Pull building supply wires through ceiling cutout and open fixture junction box door. Remove desired housing knockout and feed building wires into housing using appropriate connector.



7. Connect each supply wire with appropriate junction box connector (See Fig. 3&10).
- This fixture features electronic low voltage (ELV) or TRIAC dimming capabilities. To utilize ELV or TRIAC, wire black (line hot), white (line neutral) and green (ground) in accordance to dimmer specifications. When not using a dimmer, connect black fixture wire to hot, white fixture wire to neutral and green fixture wire to ground. Leave all other wires capped individually.
8. Place all wiring and connectors back in junction box and replace the junction box's cover.
9. Guide junction box through the ceiling opening and secure appropriately.
10. Fold trim assembly mounting springs inward and insert trim assembly into ceiling cutout. Be sure once installed, trim assembly is flush and secure (See Fig. 5&6).

