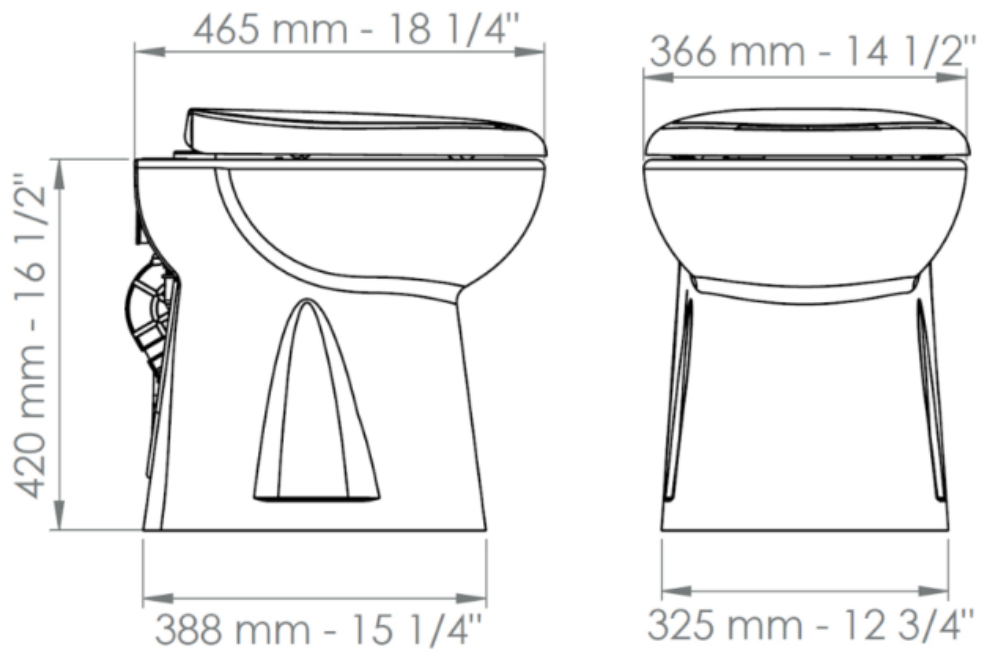


Sanicompact 4C



Dimensions (Height x Width x Depth):
16 1/2" x 14 1/2" x 18 1/4"

| Sanicompact 4C | |
|---------------------------------|---|
| Part number | 024 |
| Max. horizontal discharge | 9 ft |
| Max. vertical discharge | 120 ft |
| Voltage | 120 V |
| Frequency | 60 Hz |
| Amperage | 7.2 Amps (Max) |
| Motor | 0.5 HP oil-filled thermally protected motor |
| Capacitor rating | 45 microfarad |
| Operating temperature | 95°F (110°F Max) |
| Power cord length | 59 inches |
| Noise level (measured at 3 ft.) | ≤ 53 dBA (Lp) |
| Discharge pipe diameter | 1" |
| Discharge rate at 15 ft | @9 Ft : 24 GPM |
| Discharge rate at 3 ft | 31 GPM |
| Normal running time | 24 sec (18 sec ECO mode) |
| Capacity | 0.8 gallons / 0.3 liters |
| Inlets diameters | 1-1/4" sink connection (on motor case) |
| Type of activation | Push button / circuit board |
| Weight | 64 lbs / 29 kg (Bowl with motor) |
| Certifying agencies | CSA (IPC, NSPC) |