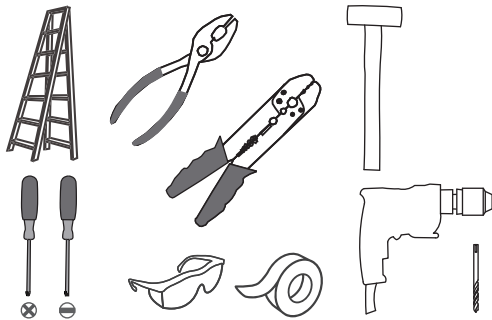
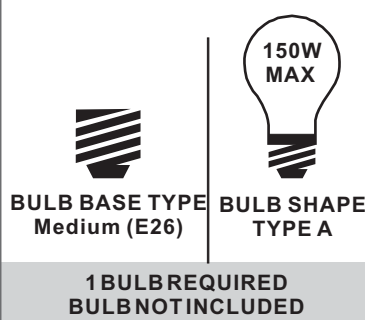


Tools Required



Light Source



Warnings and Cautions

This fixture is not intended to be mounted on the ground. The fixture must be elevated per local building codes.

Turn off the electricity at the circuit breaker before installation. Consult a licensed electrician if in doubt about installation.

Turn off power to the fixture and allow the bulbs to cool before replacing.

Package Contents

Preparation: Identify and inspect all parts before beginning the installation.

Missing or damaged parts? Contact your original place of purchase.

PARTS BAG

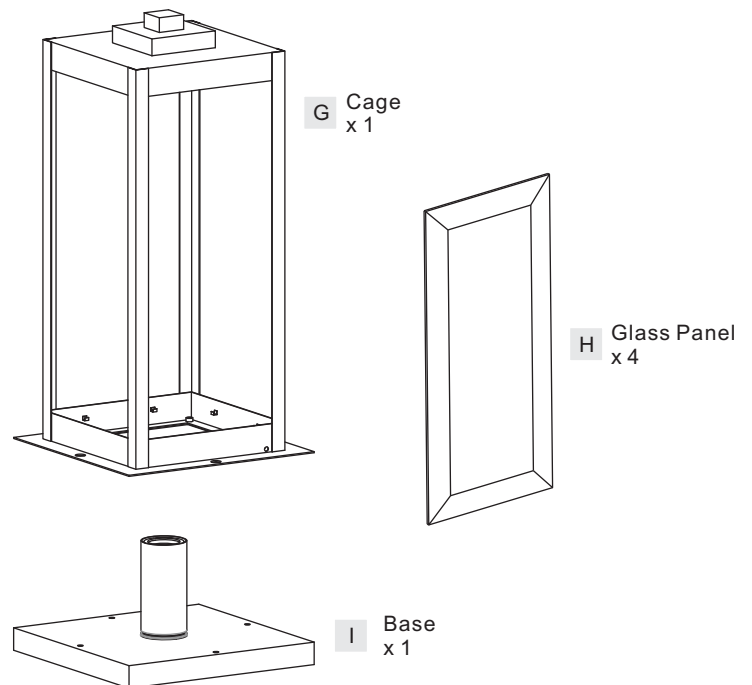
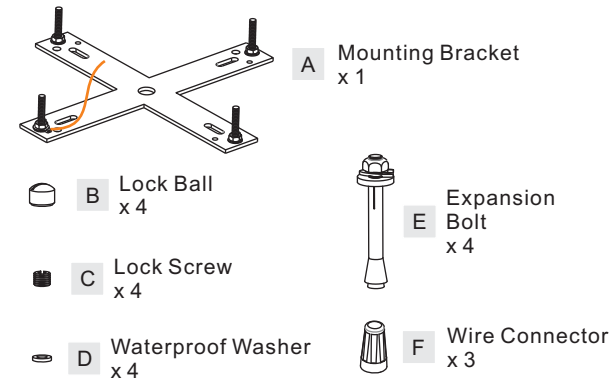
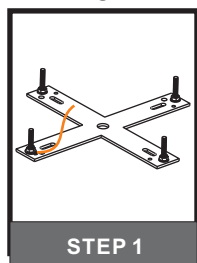


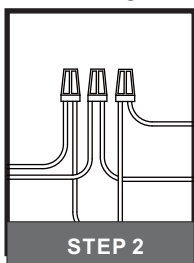
Table of Contents

Mounting Bracket



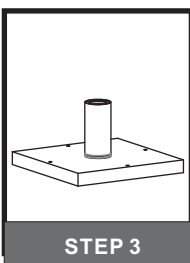
STEP 1

Wiring



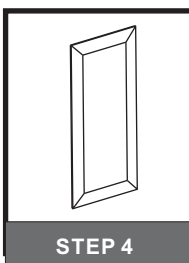
STEP 2

Base



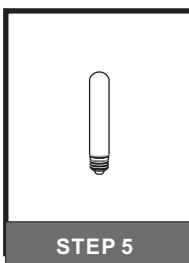
STEP 3

Glass Panel



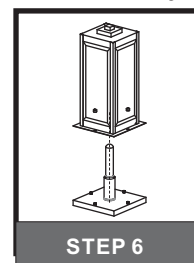
STEP 4

Bulb



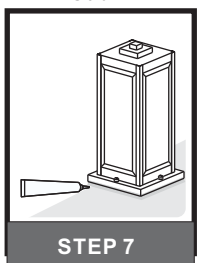
STEP 5

Fixture Body



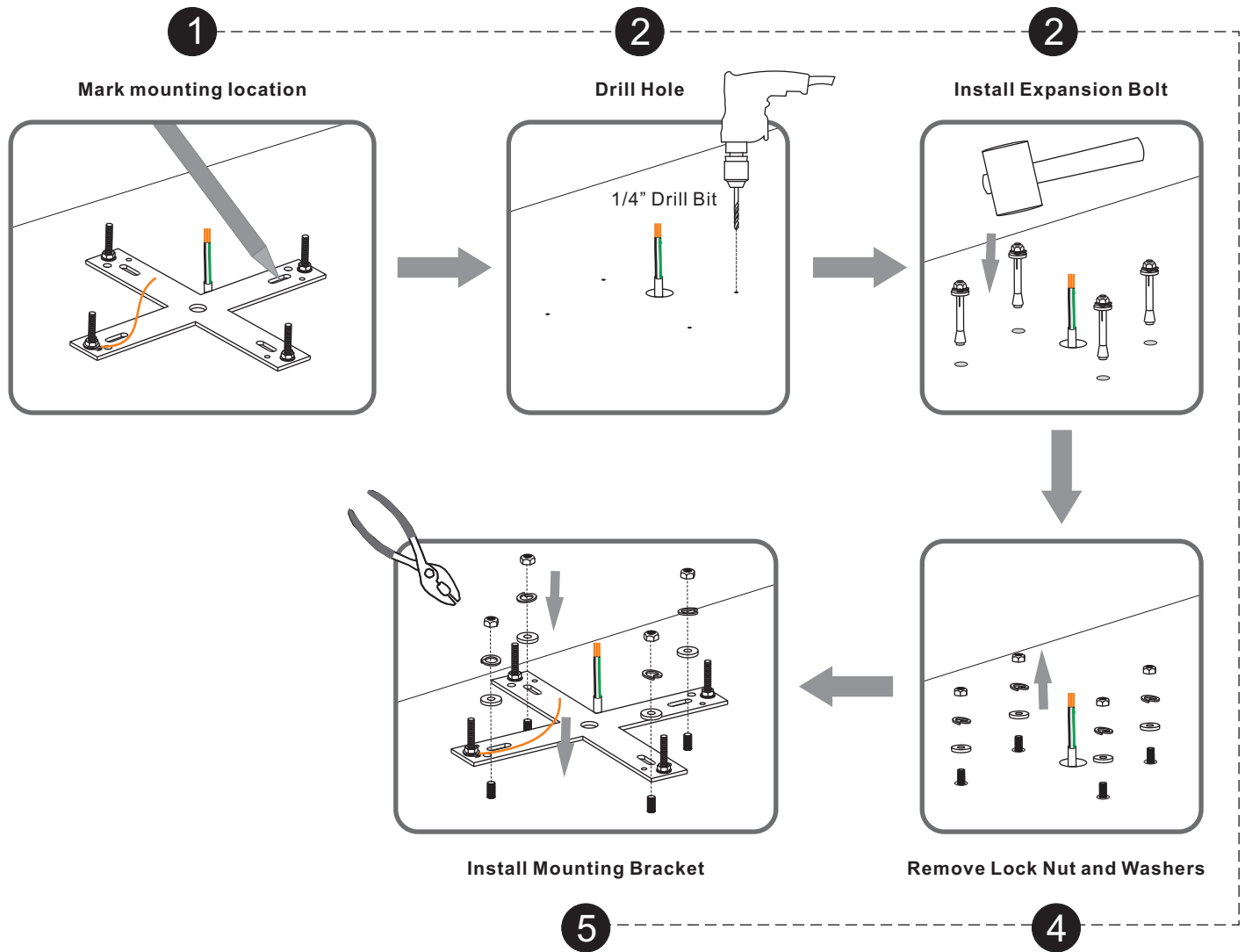
STEP 6

Caulk

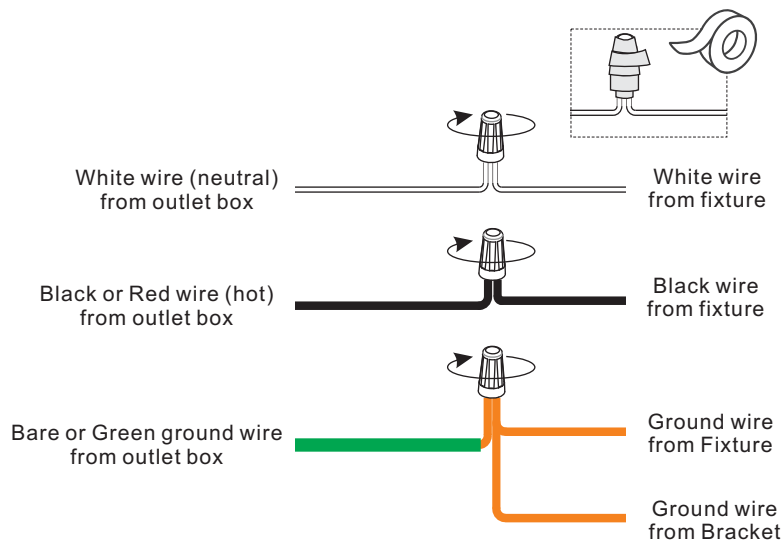


STEP 7

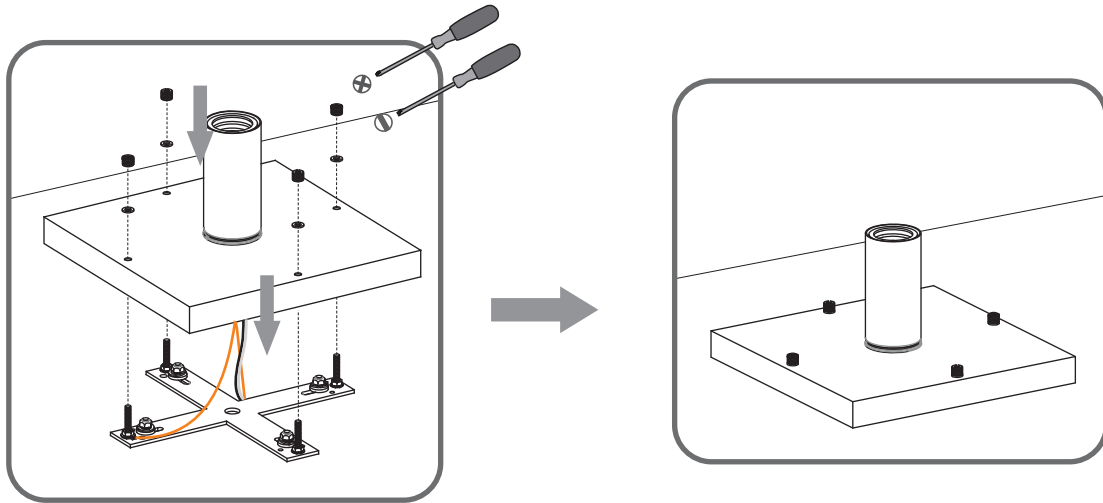
STEP 1



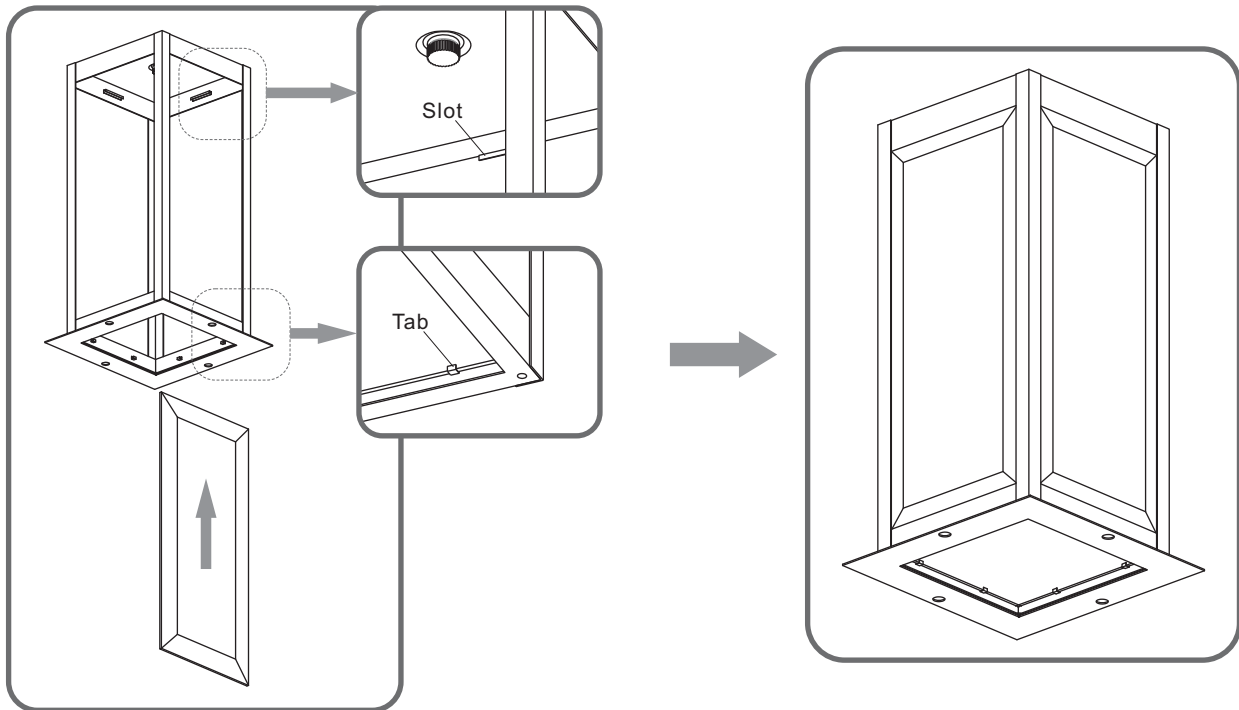
STEP 2



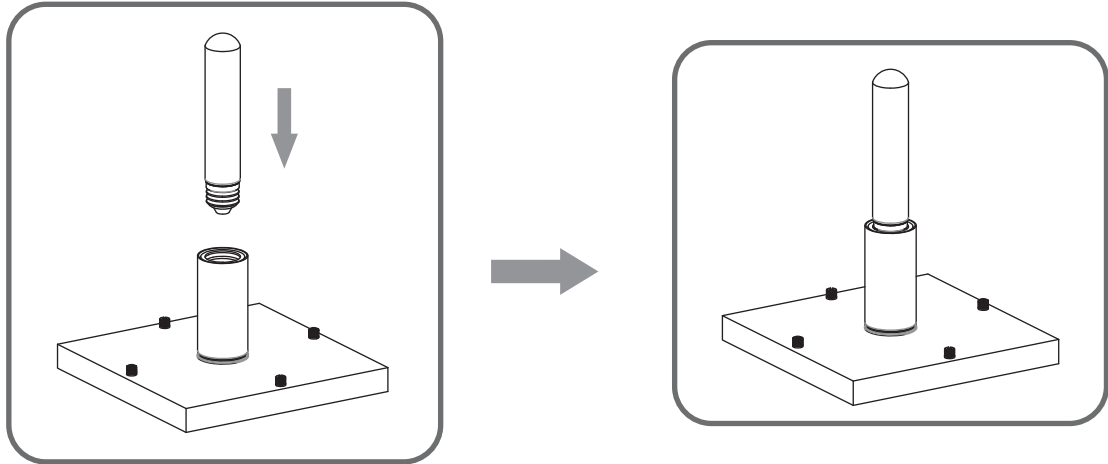
STEP 3



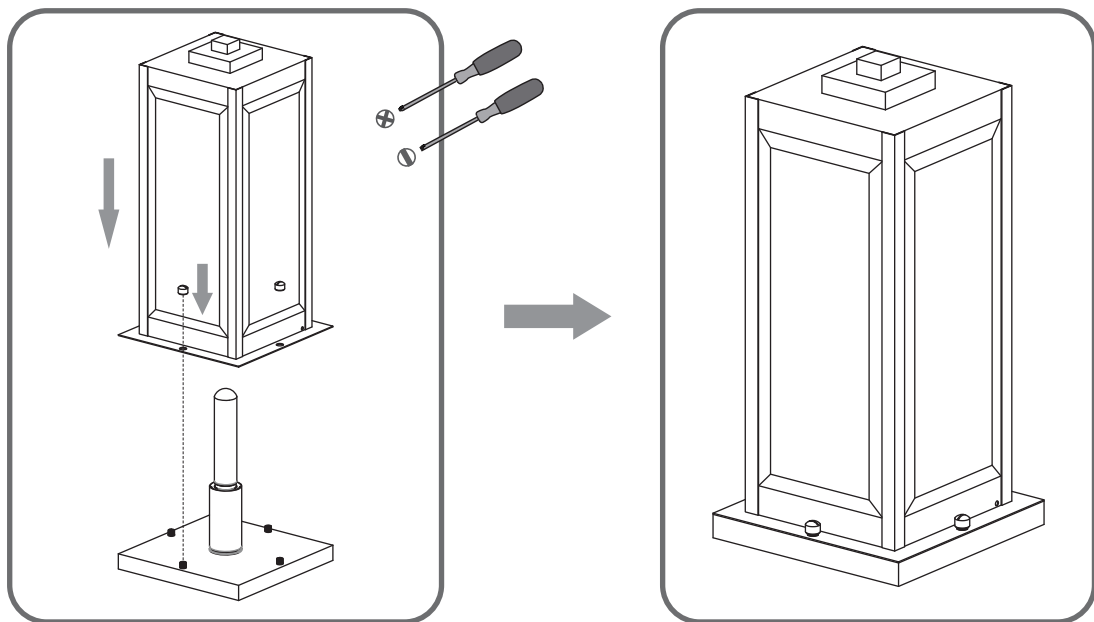
STEP 4



STEP 5



STEP 6



STEP 7

