

Please go to [www. quoizel. com](http://www. quoizel. com) for product cleaning tips. Go to the **Care + Maintenance** selection.

**Tools Required:** Flathead screwdriver, Phillips screwdriver, pliers, wire cutters, wire strippers, electrical tape, safety glasses.

**Light Source:** Integrated LED 17W

**Compatible Dimmer Switches:** Lutron AYCL-153P or Lutron DVCL-153P.

**Estimated Assembly Time:** 20-30 minutes

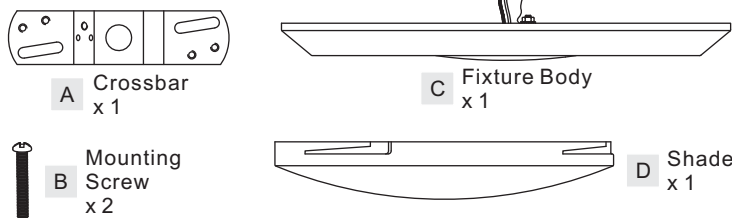
**Preparation:** Identify and inspect all parts before beginning installation. Check package content list and diagrams below to be sure all parts are present. If any parts are missing or damaged, do not attempt to assemble, install, or operate the fixture. Contact customer service for replacement parts.

**⚠ Warnings and Cautions**

Turn off electricity at circuit breaker or main fuse box before installation. Consult a licensed electrician if in doubt.

These instructions are provided for your safety. It is very important you read them completely before installing the fixture. We strongly recommend that a licensed, professional electrician perform the installation.

**Package Contents**



**(Step 1 Continued)**

- B. Attach slots on the Crossbar (A) to mounting holes on outlet box with the head of Green Ground Screw facing you. Secure the Crossbar (A) with Outlet Box Screws (not included). Tighten until snug with screwdrivers.
- C. Test fit the Fixture Body (C) to Mounting Screws (B) and adjust the length of Mounting Screws (B) so that the Fixture Body (C) flush against the ceiling after installation. You may need to test fit more than one time to achieve the correct length of the Mounting Screw (B).

**STEP 1 - Install Crossbar**

- A. Measure the distance between two keyholes on the top of the Fixture Body (C). Use this distance to identify corresponding mounting holes on the Crossbar (A) and thread Mounting Screws (B) into mounting holes.

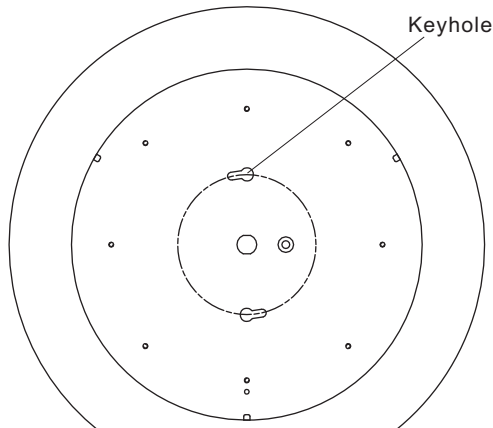
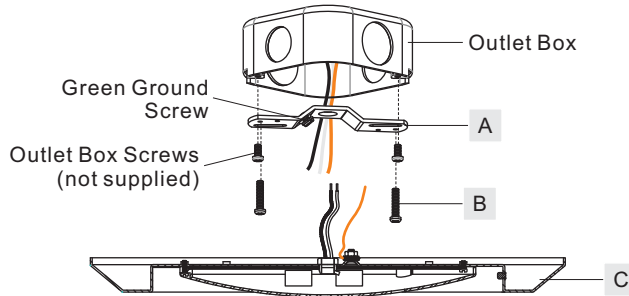


Figure 1

**STEP 2 - Wire Connections**

- A. Wrap bare or green ground wire around green ground screw on the crossbar, no less than 2 inches from the end of the wire. Tighten the green ground screw.
- B. Use standard wire connectors (not included) to make all wire connections. Twist connectors until wires are tightly joined together. Wrap each connection with approved electrical tape and carefully stuff all the connected wires into the Outlet Box.

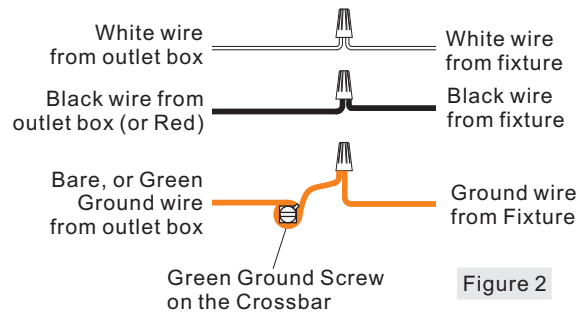


Figure 2

**STEP 3 - Install Fixture Body**

- A. Align Mounting Screws (B) to keyholes on the Fixture Body (C) and twist the Fixture Body (C) until the Fixture Body (C) is hung safely.
- B. By using Phillips screwdrivers, tighten Mounting Screws (B) from holes on the lens as needed to secure the Fixture Body (C).

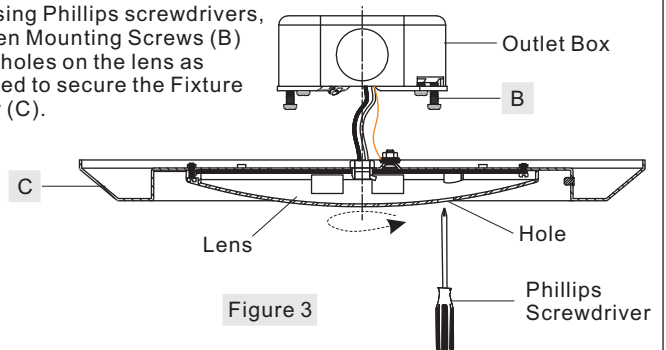


Figure 3

**Thank you for purchasing a Quoizel product.**  
Need assistance with parts or assembly? Call Quoizel customer service at 1-800-645-3184 or visit us on-line at [www. quoizel. com](http://www. quoizel. com)

**STEP 4 - Install Shade**

A. Align slots on the Shade (D) to studs on the ceiling canopy and Fixture Body (C) and twist the Shade (D) until it is hung safely.

Your fixture is now assembled and ready to use. Enjoy!

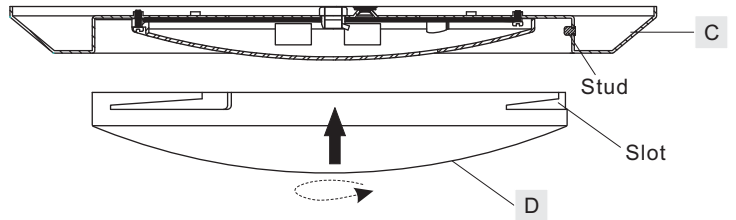
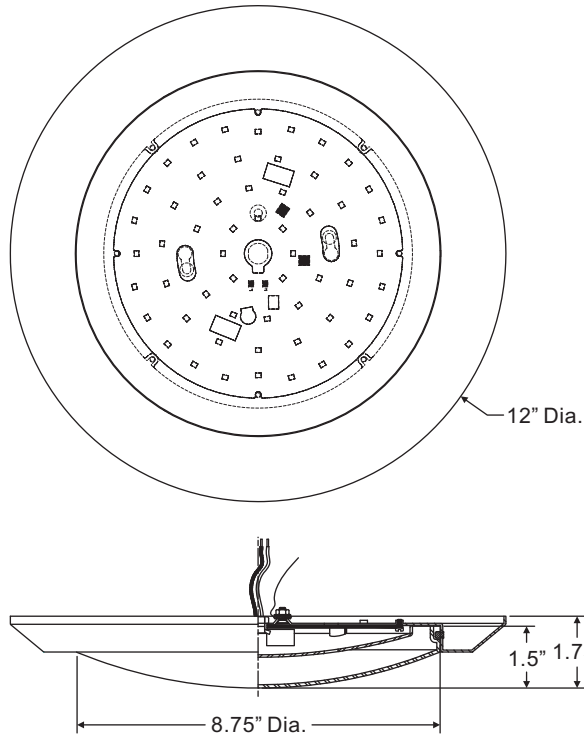
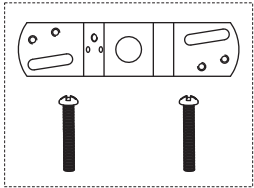


Figure 4

VRG1612BN

FINISH: BRUSHED NICKEL



NOTE: ALL DIMENSIONS ARE ROUNDED UP TO THE NEAREST 1/4"

Thank you for purchasing a Quoizel product.  
Need assistance with parts or assembly? Call Quoizel customer service at 1-800-645-3184  
or visit us on-line at [www.quoizel.com](http://www.quoizel.com)