

SAFETY INFORMATION

Released Date: 2020-11-12

Please read and understand this entire manual before attempting to assemble, install or operate the product.

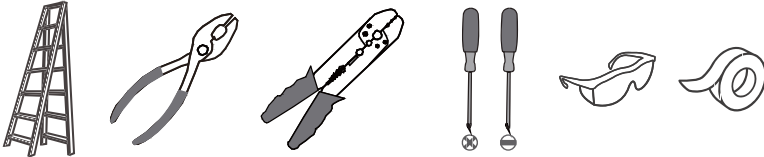
WARNING

- RISK OF ELECTRIC SHOCK - Before beginning installation, turn off electricity at the circuit breaker box or the main fuse box.

CAUTION

- For your safety, read instructions completely before beginning installation.
- If in doubt about electrical installation, consult a licensed electrician.

TOOLS REQUIRED



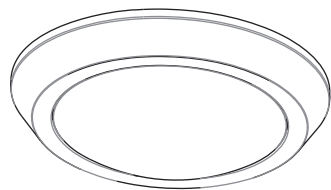
Ratings	120Vac, 60Hz	
	Model No.	Wattage
	VRG1605W	12W
	VRG1605BN	12W
	VRG1605OI	12W
	VRG1605EK	12W

CARE AND MAINTENANCE

- Wipe clean using soft, dry cloth or static duster. Always avoid using harsh chemicals and abrasives to clean fixture as they may damage the finish.

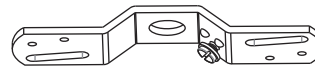
If you need further assistance call Quoizel Customer Care at 1-800-645-3184 (9:00am – 5:00pm EST), or visit us on-line at www.quoizel.com.

PACKAGE CONTENTS

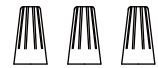


A Fixture Body
x 1

MOUNTING HARDWARE



AA Crossbar
x 1



BB Wire Connector
x 3



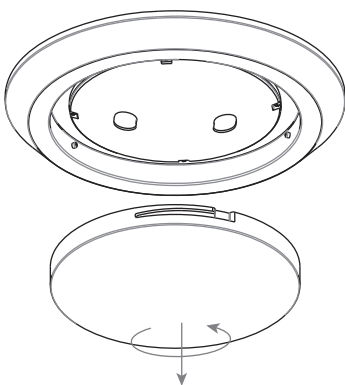
CC Outlet Box Screw
x 2



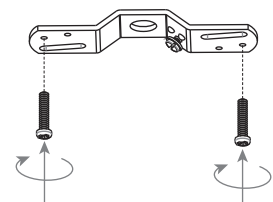
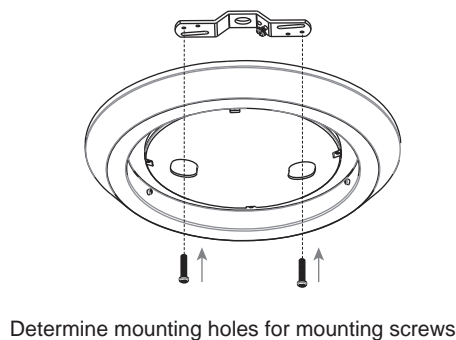
DD Mounting Screw
x 2

INSTALLATION

1 Remove Shade



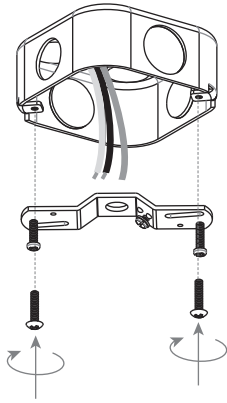
2 Install Mounting Screws to Crossbar



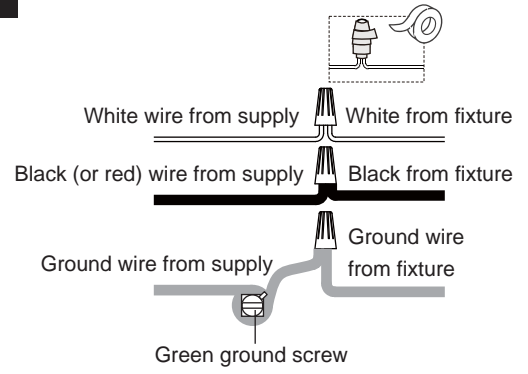
Install mounting screws
* Screw in about 0.5".

INSTALLATION

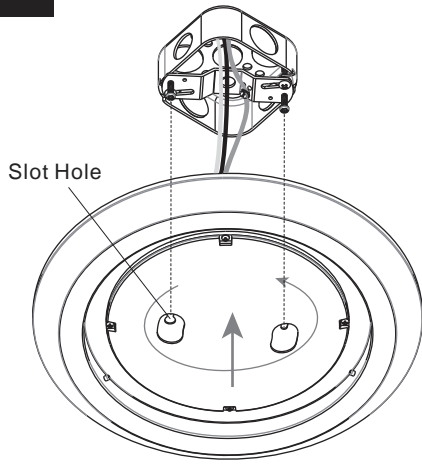
3 Install Crossbar



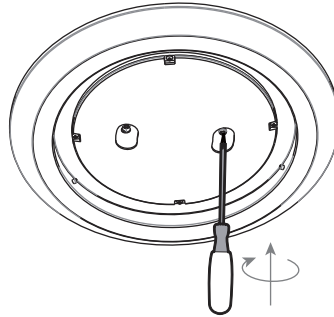
4 Wiring



5 Install Ceiling Canopy

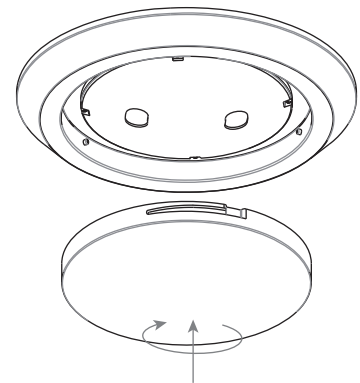


Fit slot holes to mounting screws



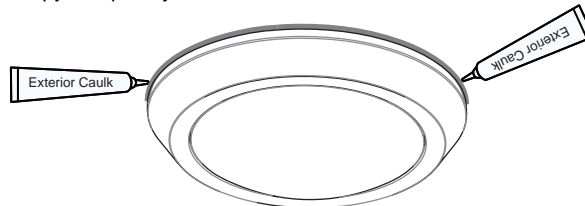
Tighten mounting screws

6 Install Shade



7 Apply Caulking

*Note: Caulk over top of the ceiling canopy completely.



Your installation is now complete! Restore electricity and save this sheet for future reference.