

Quoizel, Inc.  
 6 Corporate Parkway  
 Goose Creek, SC 29445

Customer Service  
 Phone 631.273.2700  
 Fax 631.231.7102  
 www. quozel. com

**Tools Required:** Flathead screwdriver, Phillips screwdriver, pliers, wire cutters, wire strippers, electrical tape, safety glasses.

**Bulb Recommended:** (2) Medium Base 75W Maximum, Alternate bulb (2) 19W CFL

**Estimated Assembly Time:** 20-30 minutes

**Preparation:** Identify and inspect all parts before beginning installation. Check package content list and diagrams below to be sure all parts are present. If any parts are missing or damaged, do not attempt to assemble, install, or operate the fixture. Contact customer service for replacement parts.

**⚠ Warnings and Cautions**

Turn off electricity at circuit breaker or main fuse box before installation. Consult a licensed electrician if in doubt.

These instructions are provided for your safety. It is very important you read them completely before installing the fixture. We strongly recommend that a licensed, professional electrician perform the installation.

Disconnect fixture from power source before replacing bulbs. Make sure bulbs are given sufficient time to cool before removal. Do not subject glass parts to any shock while in operation or shattering may result.

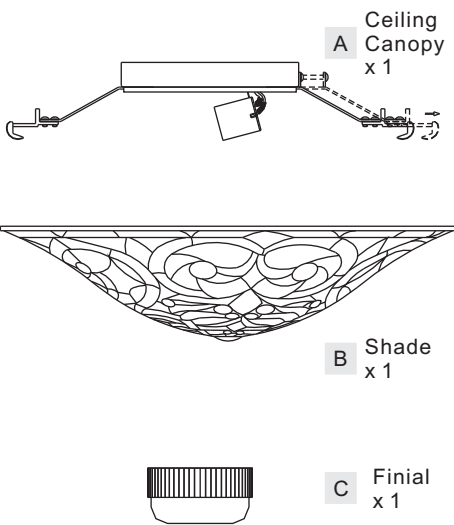
**⚠ Care of Tiffany Style Shade**

A new tiffany lamp shade has an oil film applied to the shade that protects the tiffany shade from scratches during shipment. If the oil applied is too heavy you can remove the excess oil film with a paper towel. Gently wipe away the excess oil.

For general cleaning of tiffany shades use a gentle lemon oil-based furniture polish applied to a soft cloth and wipe gently.

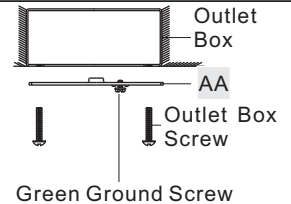
If a white powder appears on the soldered joints of the tiffany shade this is a normal oxidation process. Use a small amount of lemon oil or mineral oil applied directly to oxidized areas and the soldered area will return to like new.

**Package Contents**



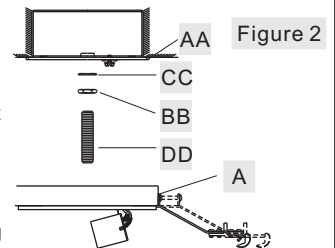
**STEP 1 – Install Crossbar**

A. Attach the Crossbar (AA) to the Outlet Box with the head of the Green Ground Screw facing you. Secure it with Outlet Box Screws (not included). Tighten until snug.

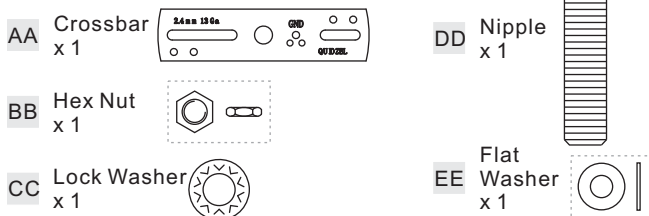


**STEP 2 – Attach Nipple to Crossbar**

A. Locate the Nipple (DD) and thread one Hex Nut (BB) onto it about half way. Slip a Lock Washer (CC) onto it and thread one end of the Nipple (DD) into the center hole of the Crossbar (AA).  
 B. Position the Ceiling Canopy (A) over the outlet box, passing the mounting hole in the center of the Ceiling Canopy (A) over the end of Nipple (DD).  
 C. Adjust the Nipple (DD) so approx 3/8 inch of the Nipple (DD) is protruding from the mounting hole. This adjustment may take a few tries.  
 D. When this length is achieved, remove the Ceiling Canopy (A) and tighten the Hex Nut (BB) up against the underside of the Crossbar (AA) with pliers.



**Hardware Contents**



**STEP 3 - Wire Connections**

A. Use standard wire connectors (not included) to make all wire connections. (Connectors are not included with fixture.) Strip and prepare wire ends according to instructions supplied with connectors.  
 B. Connect White Supply Wire from the Outlet Box to Ribbed side Wire from fixture.

**Thank you for purchasing a Quoizel product.  
 Need assistance with parts or assembly? Call Quoizel customer service at 1-631-273-2700  
 or visit us on-line at www. quozel. com**

- C. Connect Black (or Red) Supply Wire from the Outlet Box to Smooth side Wire from fixture.
- D. Connect Ground Wire from the Outlet Box to Ground Wire from fixture.
- E. Twist connectors until wires are tightly joined together.
- F. Wrap each connection with approved electrical tape and carefully stuff all the connected wires into the Outlet Box.

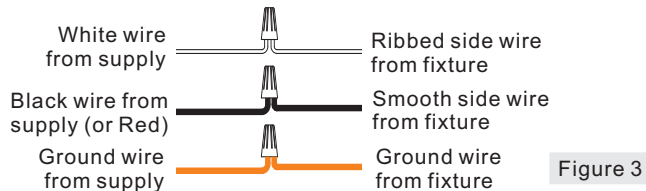


Figure 3

**STEP 4 – Attach Ceiling Canopy**

- A. Position the Ceiling Canopy (A) and Flat Washer (EE) to the ceiling by passing the Nipple (DD) through the center hole. Thread the Finial (C) to the bottom end of the Nipple (DD). Snug down assembly until the Ceiling Canopy (A) is flush against the ceiling.
- \* Be sure that there are no trapped or pinched wires along the edge of the Ceiling Canopy (A).

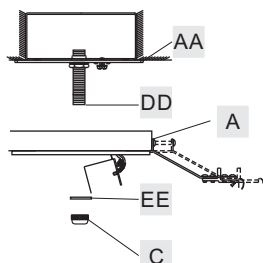


Figure 4

**STEP 5 – Install Bulb**

- A. This fixture uses standard bulb with medium screw base. Maximum 75 watts.
- B. Insert bulb and screw snugly into place.

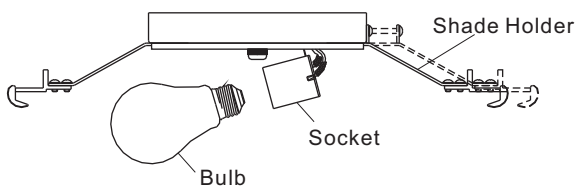


Figure 5

**STEP 6 – Install Shade**

- A. Locate the Shade (B) wedge in the two Shade Holders without Spring. Pull the one Shade Holder with the Spring outside and position the Shade (B) onto the bottom of the Ceiling Canopy (A). The Shade Holder will engage the Shade (B) after release.

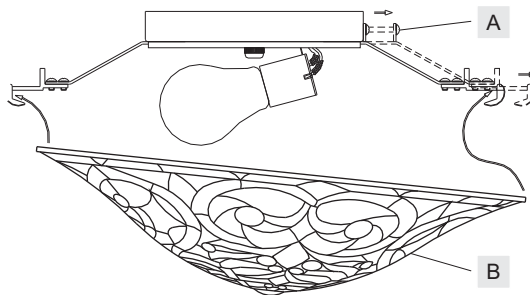
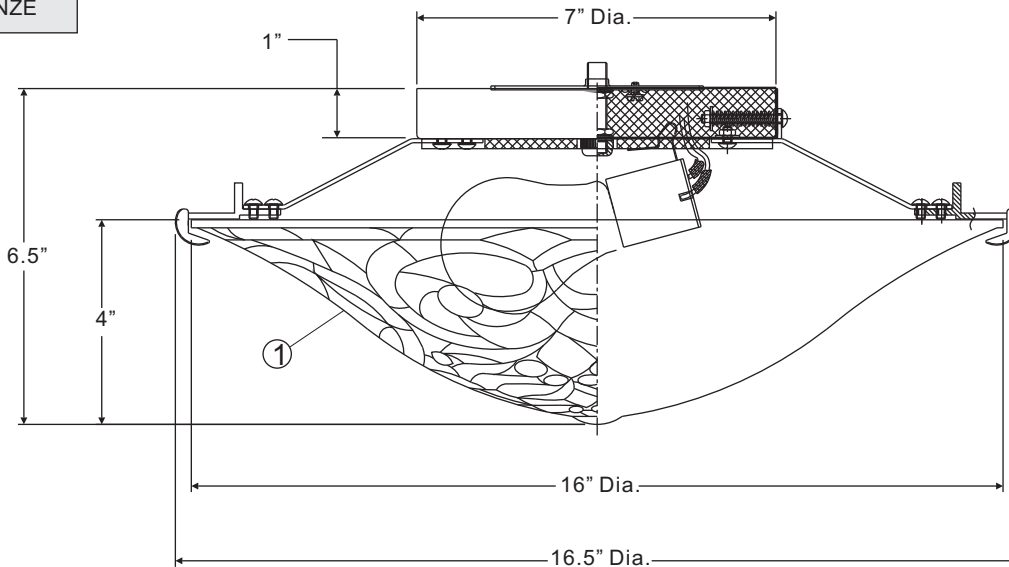
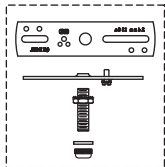


Figure 6

TF1805SVB

FINISH: VINTAGE BRONZE



(2) 75W Medium Base Bulbs (Not Supplied)

NOTE: ALL DIMENSIONS ARE ROUNDED UP TO THE NEAREST 1/2"

NO.	PART NUMBER	REPLACEMENT PART DESCRIPTION	REQ.
1	G3827SH	SHADE TIFFANY 16"D x 4"H	1

Thank you for purchasing a Quoizel product.  
 Need assistance with parts or assembly? Call Quoizel customer service at 1-631-273-2700  
 or visit us on-line at [www.quoizel.com](http://www.quoizel.com)