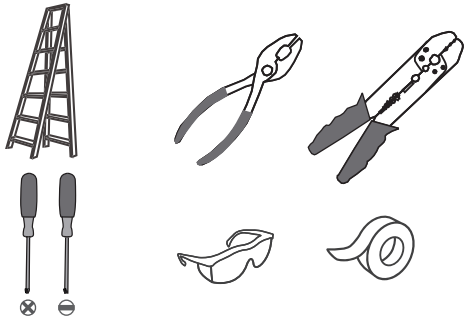
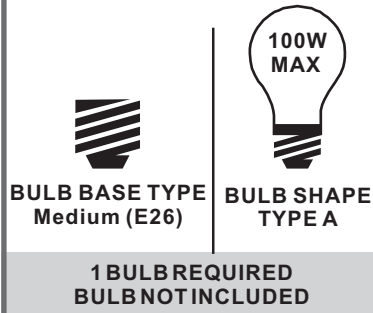


**Tools Required**



**Light Source**



**Fixture Height Adjustable  
19.25" to 55.25"**

**⚠ Warnings and Cautions**

Turn off the electricity at the circuit breaker before installation. Consult a licensed electrician if in doubt about installation.

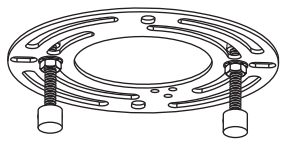
Turn off power to the fixture and allow the bulbs to cool before replacing.

**Package Contents**

**Preparation:** Identify and inspect all parts before beginning the installation.

Missing or damaged parts? Contact your original place of purchase.

**PARTS BAG**



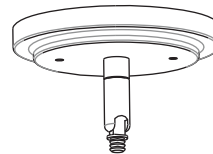
**A** Crossbar Assembly  
x 1



**B** Outlet Box Screw  
x 2



**C** Wire Connector  
x 3



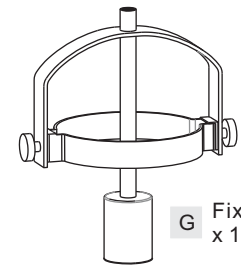
**D** Ceiling Canopy  
x 1



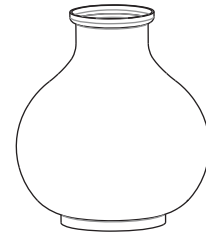
**E** 6" L Rod  
x 2



**F** 12" L Rod  
x 2



**G** Fixture Body  
x 1



**H** Shade  
x 1

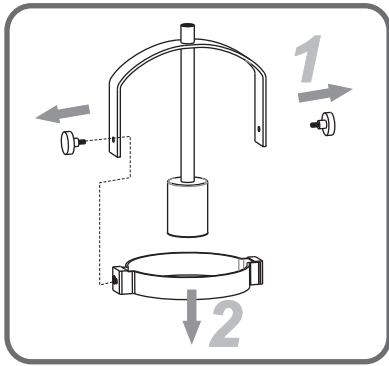
**Table of Contents**

Shade	Crossbar Assembly	Downrod	Wiring	Ceiling Canopy	Bulb
<b>STEP 1</b>	<b>STEP 2</b>	<b>STEP 3</b>	<b>STEP 4</b>	<b>STEP 5</b>	<b>STEP 6</b>

**STEP 1**

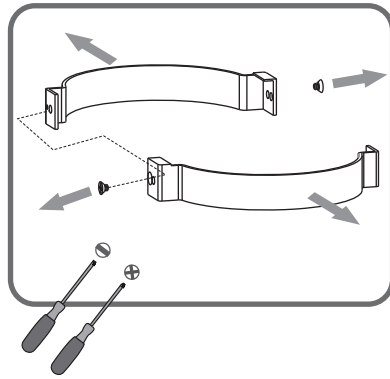
1

Remove holder



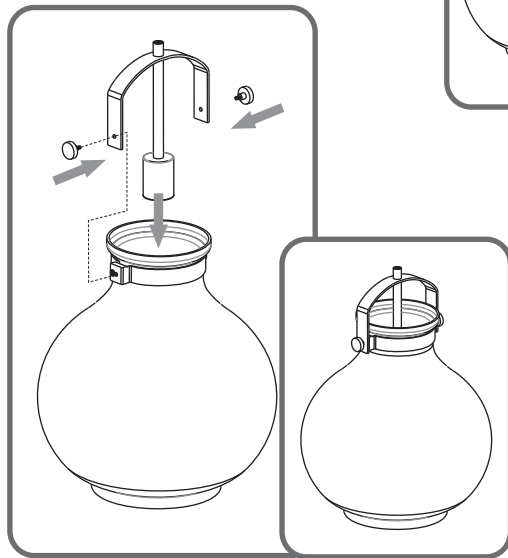
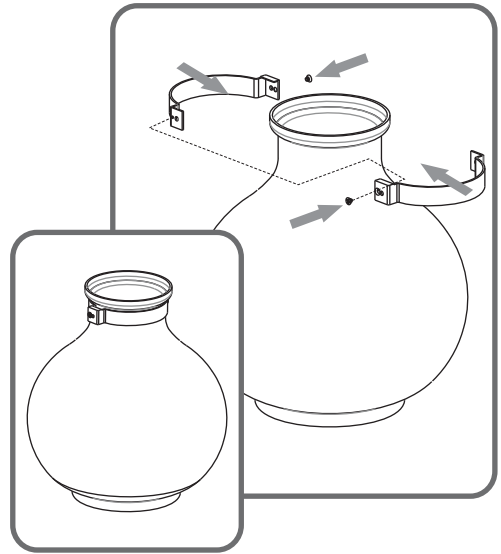
2

Separate holders



3

Install holders to shade



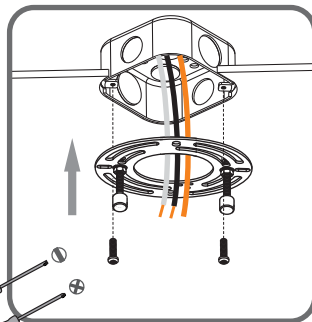
Install arm to holders

4

**STEP 2**

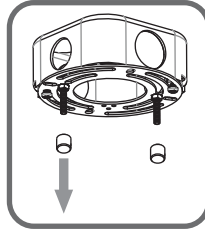
1

Step 1  
Install crossbar assembly

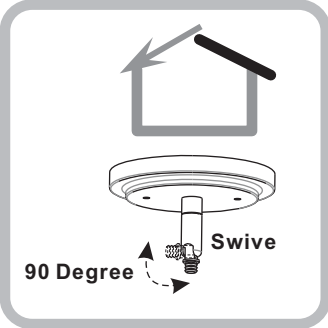
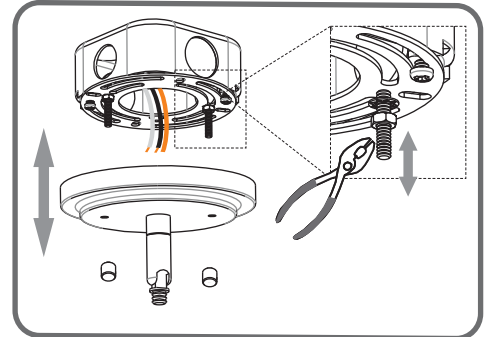


2

Step 2 - 3  
Test fitting ceiling canopy to mounting screws



3



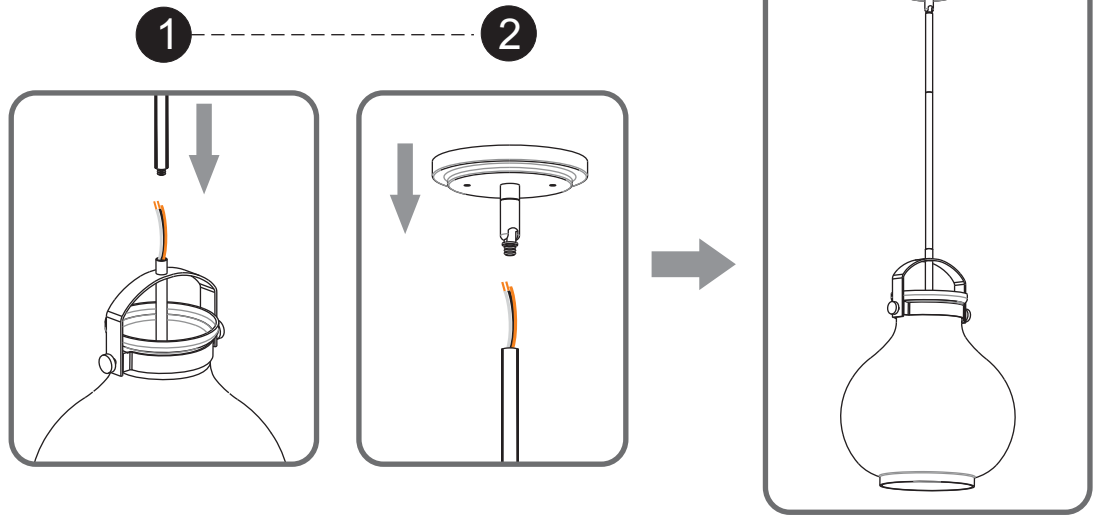
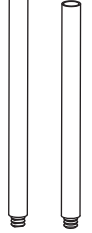
For angled ceilings,  
Swivel opening towards wall.

### STEP 3

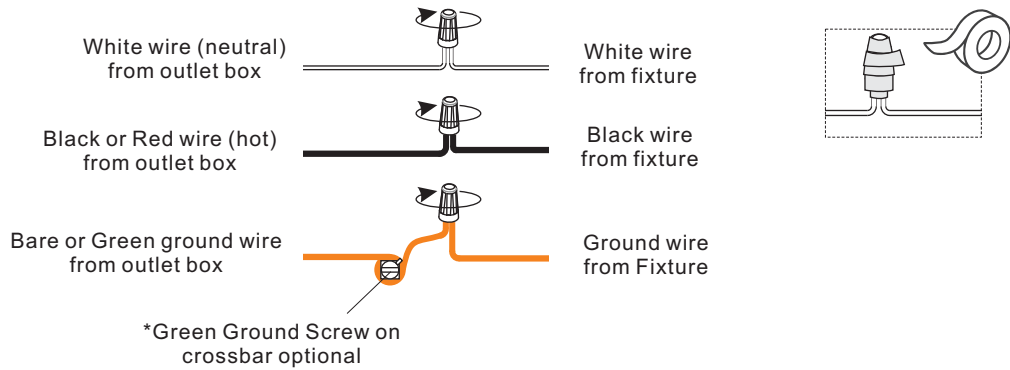
**Optional Rods**

**8' ceiling:**  
(2) 12"L rods

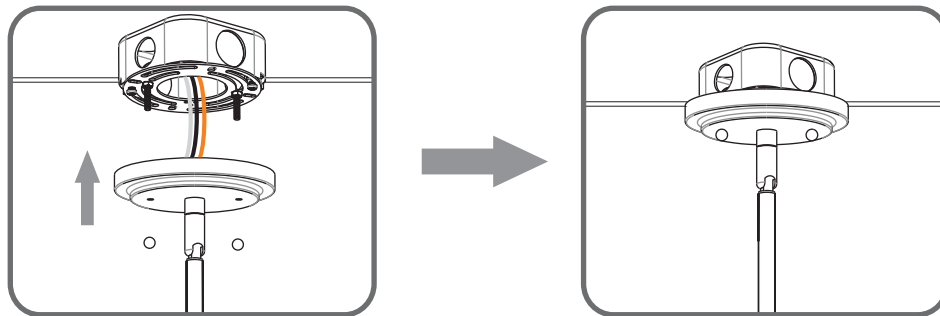
**9' ceiling:**  
(2) 6"L + (2) 12"L rods



### STEP 4



### STEP 5



### STEP 6

