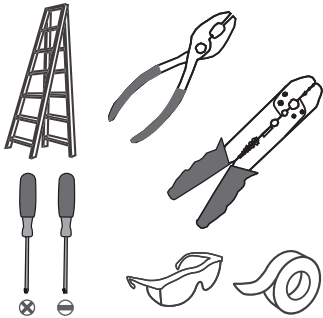
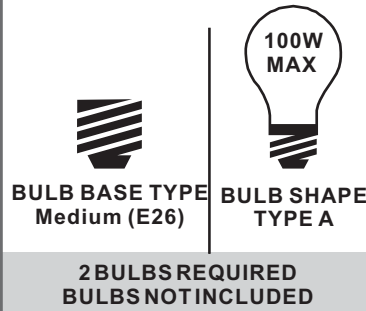


**Tools Required**



**Light Source**



**Warnings and Cautions**

Turn off the electricity at the circuit breaker before installation. Consult a licensed electrician if in doubt about installation.

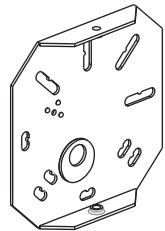
Turn off power to the fixture and allow the bulbs to cool before replacing.

**Package Contents**

**Preparation:** Identify and inspect all parts before beginning the installation.

Missing or damaged parts? Contact your original place of purchase.

**PARTS BAG**

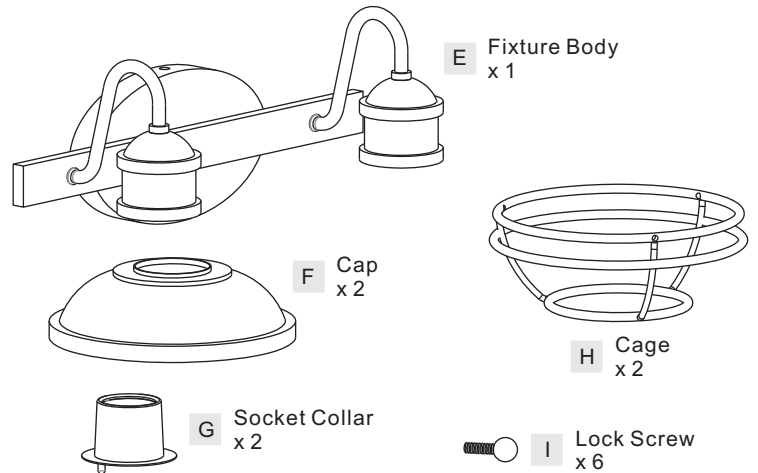


**A** Inner Backplate x 1

**B** Lock Screw x 2

**C** Outlet Box Screw x 2

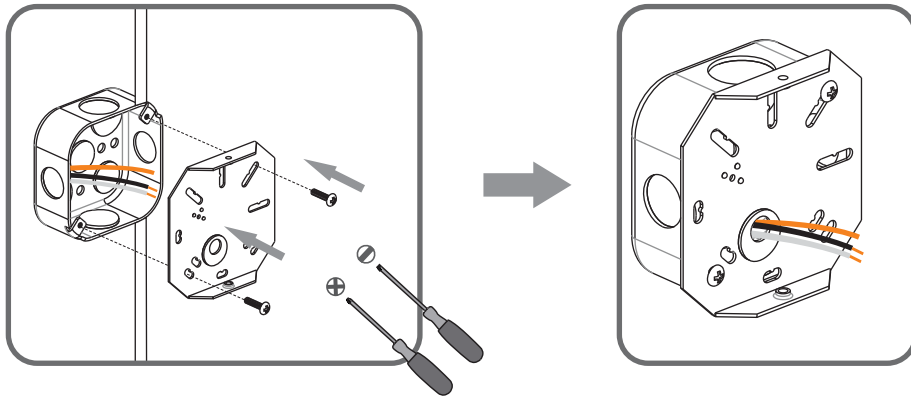
**D** Wire Connector x 3



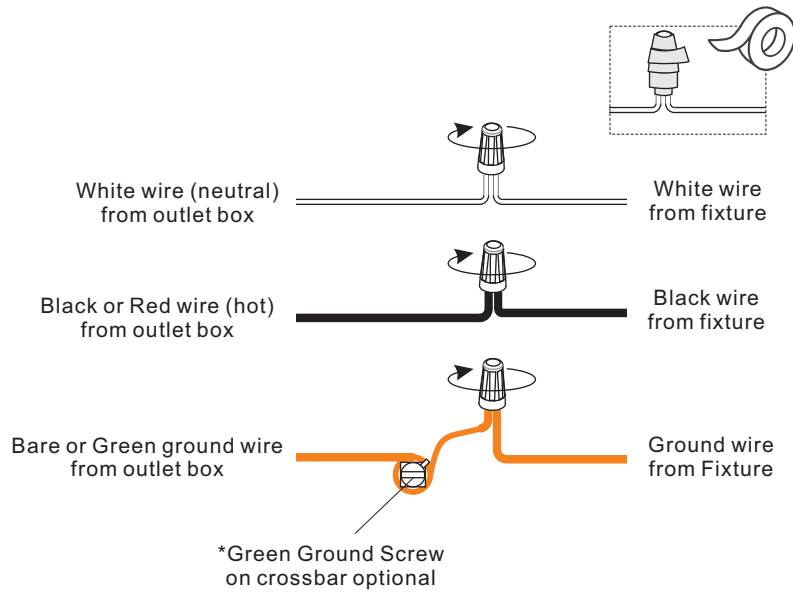
**Table of Contents**

Inner Backplate	Wiring	Fixture Body	Cap	Cage	Bulb
<b>STEP 1</b>	<b>STEP 2</b>	<b>STEP 3</b>	<b>STEP 4</b>	<b>STEP 5</b>	<b>STEP 6</b>

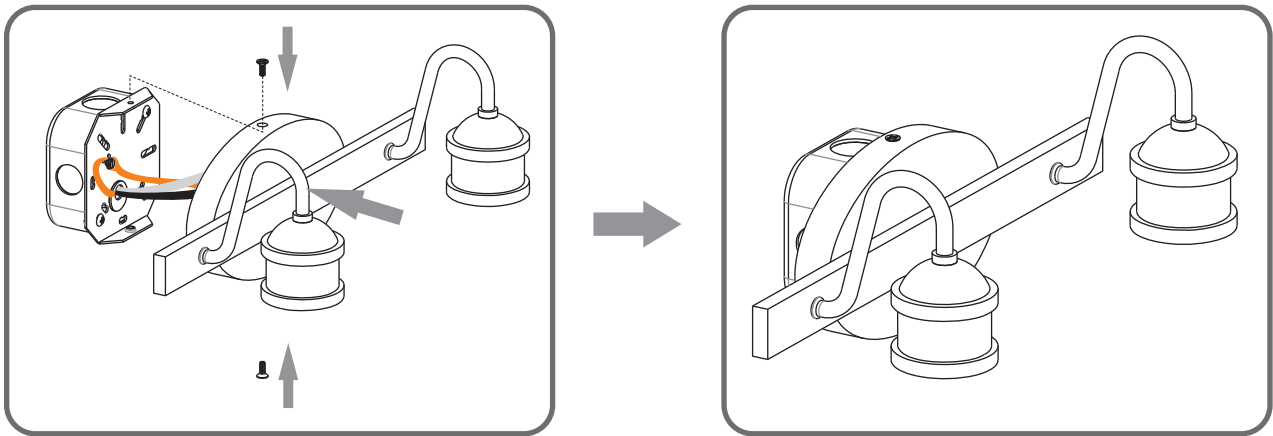
**STEP 1**



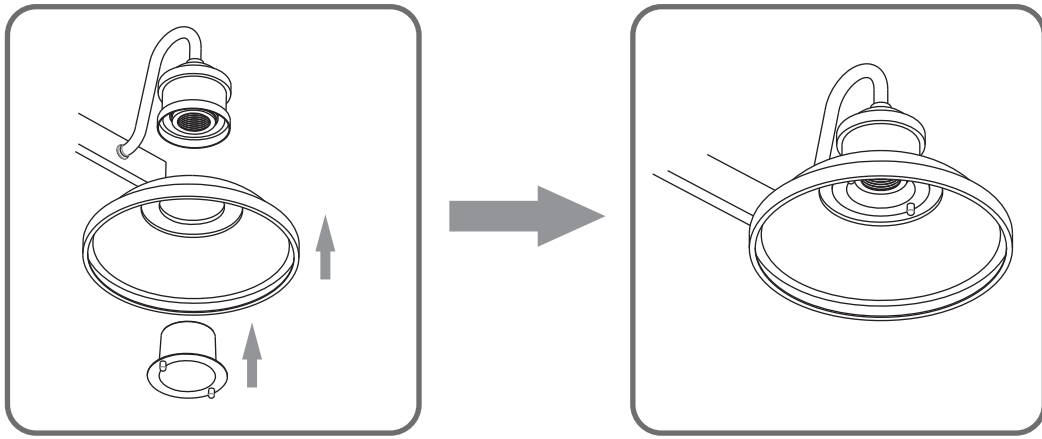
**STEP 2**



**STEP 3**



**STEP 4**

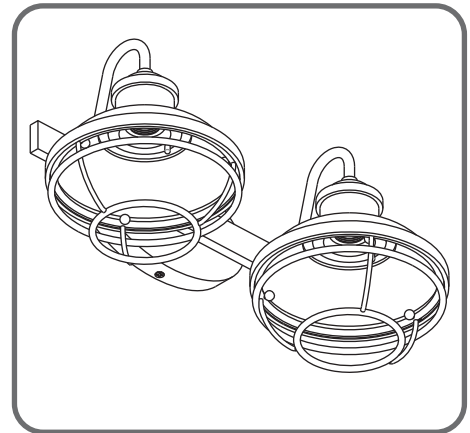
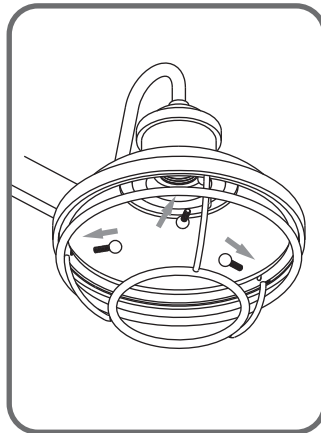
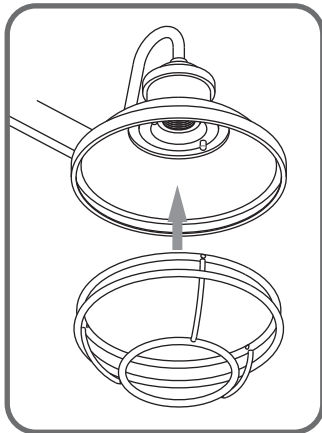


**STEP 5**

- ① ----- ②

Attach cage to cap

Install lock screws



**STEP 6**

