

Please go to www. quozel. com for product cleaning tips. Go to the **Care + Maintenance** selection.

Tools Required: Flathead screwdriver, Phillips screwdriver, pliers, wire cutters, wire strippers, electrical tape, safety glasses, scissor.

Light Source: (3) Medium Base 100W bulb Maximum, Alternate bulb (3) 23W CFL Maximum.

Estimated Assembly Time: 30-45 minutes

Preparation: Identify and inspect all parts before beginning installation. Check package content list and diagrams below to be sure all parts are present. If any parts are missing or damaged, do not attempt to assemble, install, or operate the fixture. Contact customer service for replacement parts.

Note: This CONVERTIBLE fixture can be mounted as pendant light or semi-flush light. Refer to respective installation steps for installations.

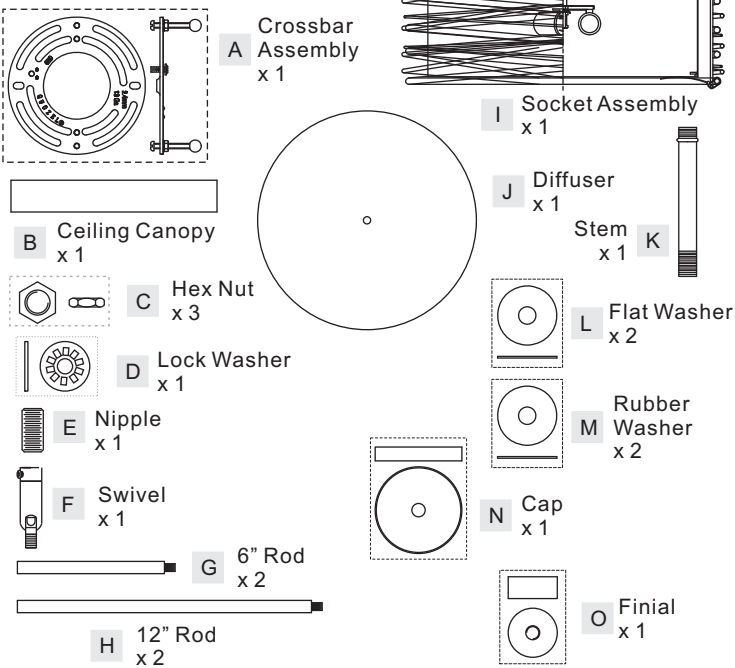
⚠ Warnings and Cautions

Turn off electricity at circuit breaker or main fuse box before installation. Consult a licensed electrician if in doubt.

These instructions are provided for your safety. It is very important you read them completely before installing the fixture. We strongly recommend that a licensed, professional electrician perform the installation.

Disconnect fixture from power source before replacing bulbs. Make sure bulbs are given sufficient time to cool before removal. Do not subject glass parts to any shock while in operation or shattering may result.

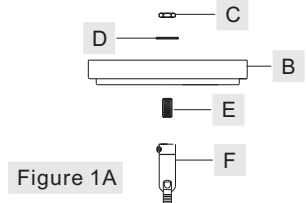
Package Contents



Assembly Instructions for Pendant Light (Step 1A - Step 7A)

STEP 1A - Attach Swivel and Ceiling Canopy together

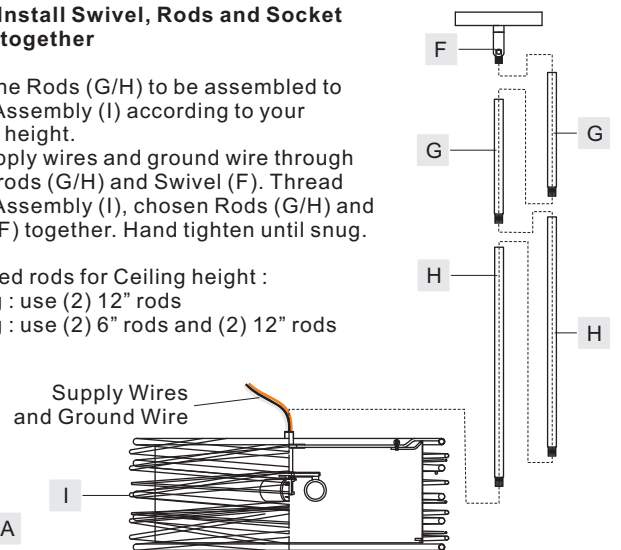
- Thread Nipple (E) onto the Swivel (F).
- Place Ceiling Canopy (B) and Lock Washer (D) over the Nipple (E), secure by threading Hex Nut (C) onto the Nipple (E), tighten until snug.



STEP 2A - Install Swivel, Rods and Socket Assembly together

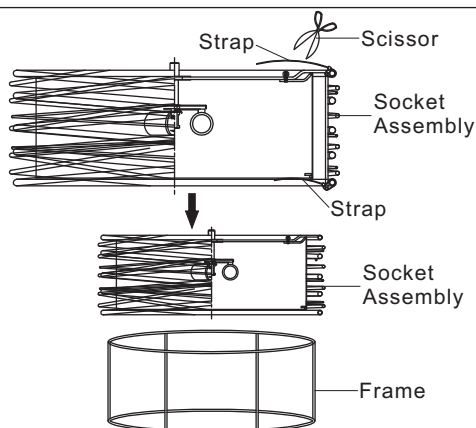
- Determine Rods (G/H) to be assembled to Socket Assembly (I) according to your hanging height.
- Pass supply wires and ground wire through chosen rods (G/H) and Swivel (F). Thread Socket Assembly (I), chosen Rods (G/H) and Swivel (F) together. Hand tighten until snug.

Suggested rods for Ceiling height :
 8' ceiling : use (2) 12" rods
 9' ceiling : use (2) 6" rods and (2) 12" rods



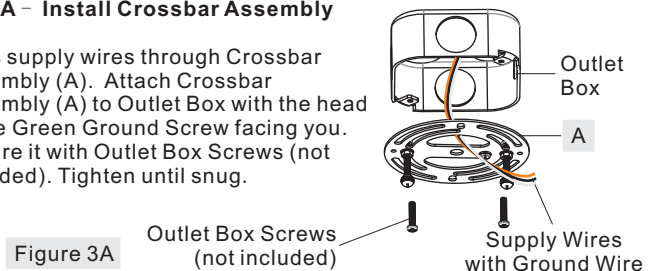
Remove Frame from Socket Assembly

- By using Scissor, cut Straps on Socket Assembly and remove Frame from the Socket Assembly.



STEP 3A - Install Crossbar Assembly

- Pass supply wires through Crossbar Assembly (A). Attach Crossbar Assembly (A) to Outlet Box with the head of the Green Ground Screw facing you. Secure it with Outlet Box Screws (not included). Tighten until snug.



Thank you for purchasing a Quoizel product.
 Need assistance with parts or assembly? Call Quoizel customer service at 1-800-645-3184
 or visit us on-line at www. quozel. com

STEP 4A – Test fitting Ceiling Canopy to Crossbar Assembly

A. Remove mounting balls from the Crossbar Assembly (A). Fit Ceiling Canopy (B) to the Crossbar Assembly (A) and secure with mounting balls. Note: The Ceiling Canopy (B) should be snug against the ceiling and the mounting balls. If not, adjust the length of the nipple on the Crossbar Assembly (A) by unscrewing the preassembled hex nut and lock washer and then screwing the mounting screws in or out of the crossbar until the correct length is achieved. Once the Ceiling Canopy (B) is secure, remove the mounting ball and Ceiling Canopy (B) and proceed to Step 5A.

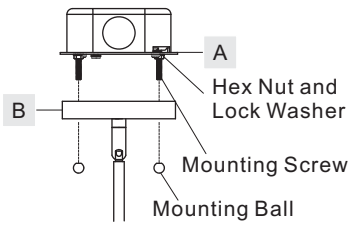


Figure 4A

STEP 5A - Wire Connections

A. Use standard wire connectors (not included) to make all wire connections. (Connectors are not included with fixture.) Twist connectors until wires are tightly joined together. Wrap each connection with approved electrical tape and carefully stuff all the connected wires into the Outlet Box.

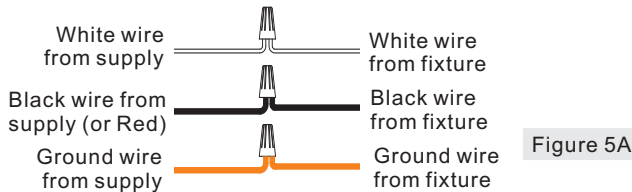


Figure 5A

STEP 6A – Install Fixture Body

A. Carefully tuck all wires into the outlet box and position the Ceiling Canopy (B) over the outlet box. Align the holes in the Ceiling Canopy (B) with the mounting screws, then attach the Ceiling Canopy (B) using the previously removed mounting balls. Hand tighten until snug.

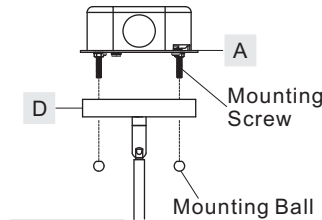


Figure 6A

STEP 7A – Install Diffuser and Bulb

- Thread the beaded end of Stem (K) into Hex Coupling underside of Socket Cluster. Hand tighten until snug.
- Thread one Hex Nut (C) onto the end of Stem (K) and adjust it to proper locations for rest components. You may be required to fit rest components to end of Stem (K) one more times to get the proper length of Stem (K) extruding from the Hex Nut (C).
- This fixture uses standard bulb with medium base. Maximum 100 watts. Insert bulb and screw snugly into place.
- Place Flat Washers (L), Rubber Washers (M) and Diffuser (J) over the end of Stem (K) as shown. Secure by threading the another Hex Nut (C) onto the Stem (K) and tighten until snug.
- Place Cap (N) over the Stem (K) and secure with Finial (O). Hand tighten until snug.

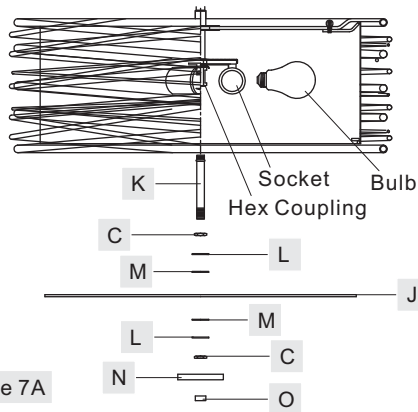
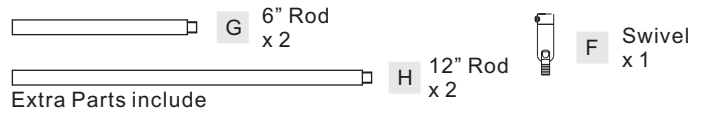


Figure 7A

Your fixture is now assembled and ready to use. Enjoy!

Assembly Instructions for Semi-flush Light (Step 1B - Step 6B)

Part F, Part G and Part H will not be used in the assembly of the Semi-Flush Light fixture. Please set aside these parts.



STEP 1B – Install Ceiling Canopy to Socket Assembly

A. Pass supply wires with ground wire through Nipple (E), Ceiling Canopy (B), Lock Washer (D) and Hex Nut (C). Thread Nipple (E) onto the Socket Assembly (I). Place the Ceiling Canopy (B) and the Lock Washer (D) onto the Nipple (E). Secure by threading the Hex Nut (C) onto the Nipple (E). Hand tighten until snug. Cut the wires leaving approximately 6" of wire extending from the Ceiling Canopy (B).

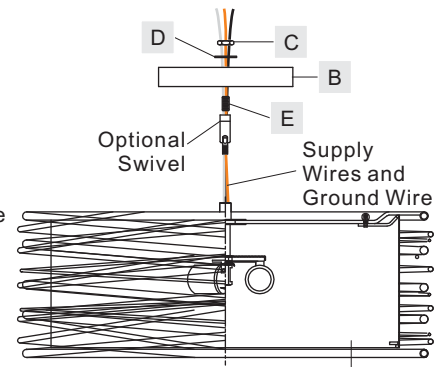


Figure 1B

B. Optional Swivel: Install the swivel to the Socket Assembly (I) and then attach Nipple (E) and the Ceiling Canopy (B) to the Swivel using the Lock Washer (D) and the Hex Nut (C) as in step A.

STEP 2B – Install Crossbar Assembly

A. Pass supply wires through Crossbar Assembly (A). Attach Crossbar Assembly (A) to Outlet Box with the head of the Green Ground Screw facing you. Secure it with Outlet Box Screws (not included). Tighten until snug.

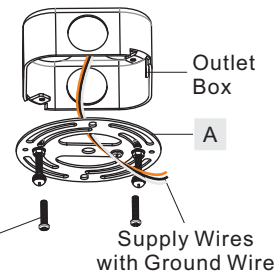


Figure 2B

STEP 3B – Test fitting Ceiling Canopy to Crossbar Assembly

A. Remove mounting balls from the Crossbar Assembly (A). Fit Ceiling Canopy (B) to the Crossbar Assembly (A) and secure with mounting balls. Note: The Ceiling Canopy (B) should be snug against the ceiling and the mounting balls. If not, adjust the length of the nipple on the Crossbar Assembly (A) by unscrewing the preassembled hex nut and lock washer and then screwing the mounting screws in or out of the crossbar until the correct length is achieved. Once the Ceiling Canopy (B) is secure, remove the mounting ball and Ceiling Canopy (B) and proceed to Step 4B.

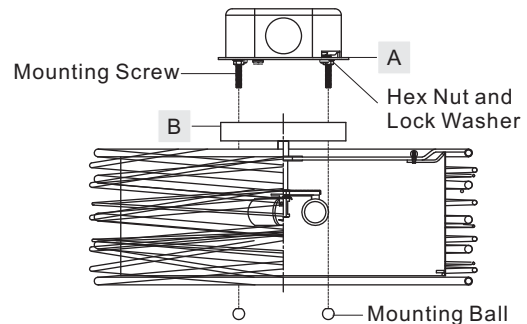


Figure 3B

Thank you for purchasing a Quoizel product.
Need assistance with parts or assembly? Call Quoizel customer service at 1-800-645-3184
or visit us on-line at www.quoise.com

STEP 4B - Wire Connections

A. Use standard wire connectors (not included) to make all wire connections. (Connectors are not included with fixture.) Twist connectors until wires are tightly joined together. Wrap each connection with approved electrical tape and carefully stuff all the connected wires into the Outlet Box.

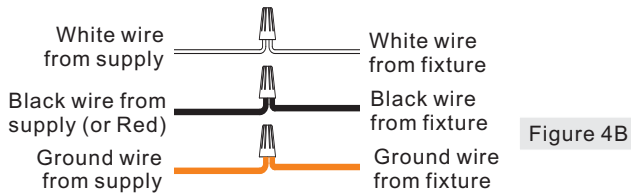
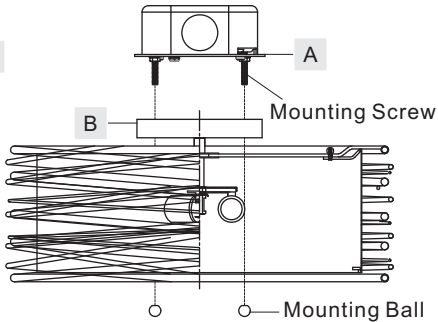


Figure 4B

STEP 5B - Install Fixture Body

A. Carefully tuck all wires into the outlet box and position the Ceiling Canopy (B) over the outlet box. Align the holes in the Ceiling Canopy (B) with the mounting screws, then attach the Ceiling Canopy (B) using the previously removed mounting balls. Hand tighten until snug.

Figure 5B



STEP 6B - Install Diffuser and Bulb

- Thread the beaded end of Stem (K) into Hex Coupling underside of Socket Cluster. Hand tighten until snug.
- Thread one Hex Nut (C) onto the end of Stem (K) and adjust it to proper locations for rest components. You may be required to fit rest components to end of Stem (K) one more times to get the proper length of Stem (K) extruding from the Hex Nut (C).
- This fixture uses standard bulb with medium base. Maximum 100 watts. Insert bulb and screw snugly into place.
- Place Flat Washers (L), Rubber Washers (M) and Diffuser (J) over the end of Stem (K) as shown. Secure by threading the another Hex Nut (C) onto the Stem (K) and tighten until snug.
- Place Cap (N) over the Stem (K) and secure with Finial (O). Hand tighten until snug.

Your fixture is now assembled and ready to use. Enjoy!

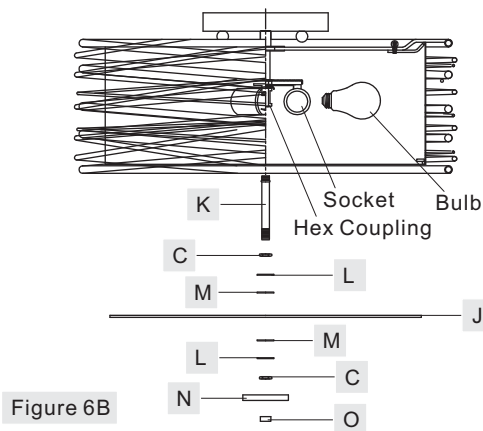
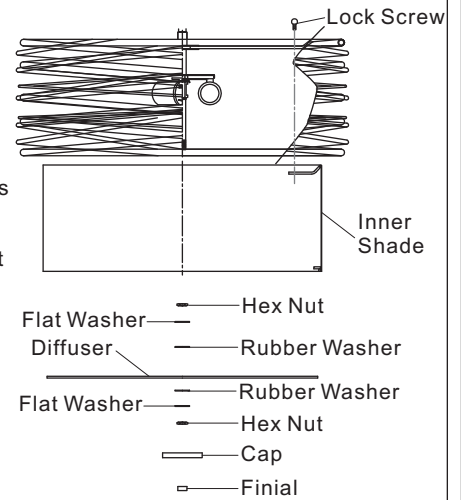


Figure 6B

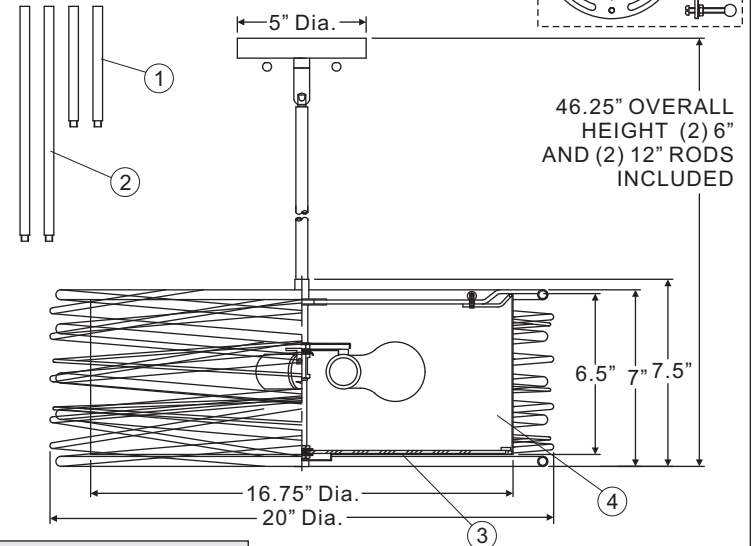
REPLACE SHADE

- Unlock the Finial and remove the Cap.
- Unlock the Hex Nut on the bottom end of the Center Stem. Remove Flat Washers, Rubber Washers and Diffuser from fixture.
- Unscrew Lock Screws on the top edge of the Socket Assembly and remove Inner Shade. Replace the Inner Shade with a new one and secure with Lock Screws previously removed.
- Reverse above steps to reinstall components previously removed.

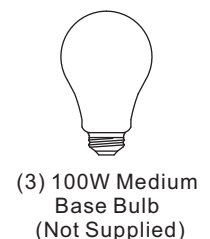
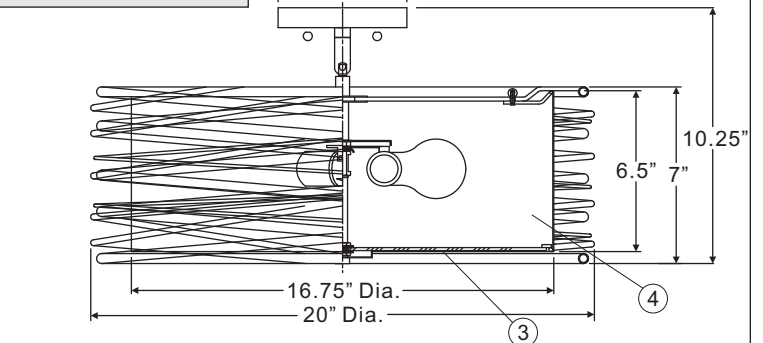


SPL2820K
FINISH: VALIANT BRONZE

PENDANT



SEMI-FLUSH



NOTE: ALL DIMENSIONS ARE ROUNDED UP TO THE NEAREST 1/4"

NO.	PART NUMBER	REPLACEMENT PART	QTY.
1	9006EXVA	6"L ROD	2
2	9012EXVA	12"L ROD	2
3	G12300DI	DIFFUSER	1
4	S12584FA	FABRIC SHADE	1

Thank you for purchasing a Quoizel product.
Need assistance with parts or assembly? Call Quoizel customer service at 1-800-645-3184
or visit us on-line at www.quoizel.com