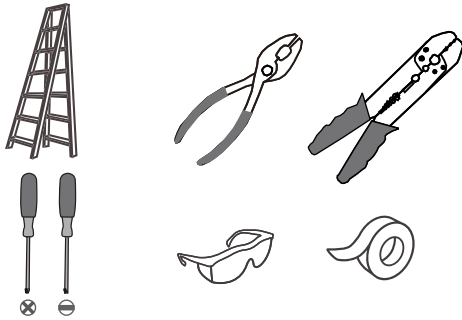
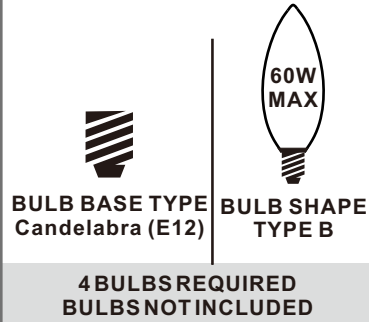


**Tools Required**



**Light Source**



**Warnings and Cautions**

Turn off the electricity at the circuit breaker before installation. Consult a licensed electrician if in doubt about installation.

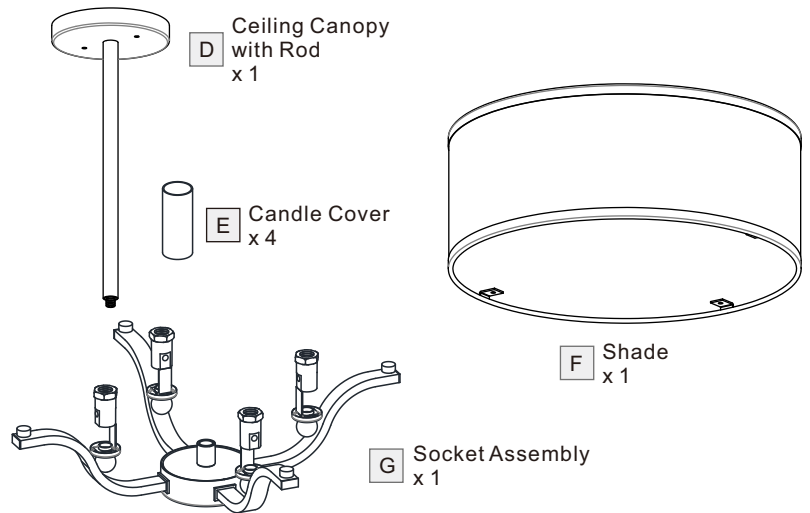
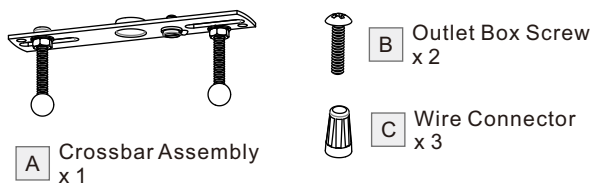
Turn off power to the fixture and allow the bulbs to cool before replacing.

**Package Contents**

**Preparation:** Identify and inspect all parts before beginning the installation.

Missing or damaged parts? Contact your original place of purchase.

**PARTS BAG**



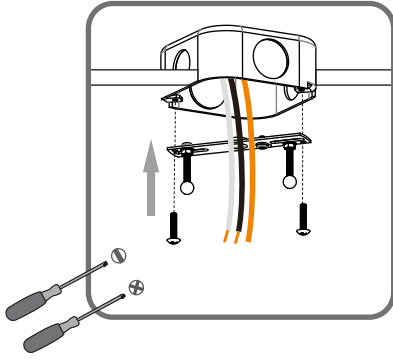
**Table of Contents**

| Crossbar Assembly | Ceiling Canopy with Rod | Shade         | Wiring        | Ceiling Canopy | Candle Cover & Bulb |
|-------------------|-------------------------|---------------|---------------|----------------|---------------------|
|                   |                         |               |               |                |                     |
| <b>STEP 1</b>     | <b>STEP 2</b>           | <b>STEP 3</b> | <b>STEP 4</b> | <b>STEP 5</b>  | <b>STEP 6</b>       |

**STEP 1**

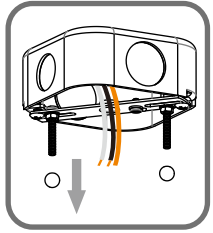
1

**Step 1**  
Install crossbar assembly

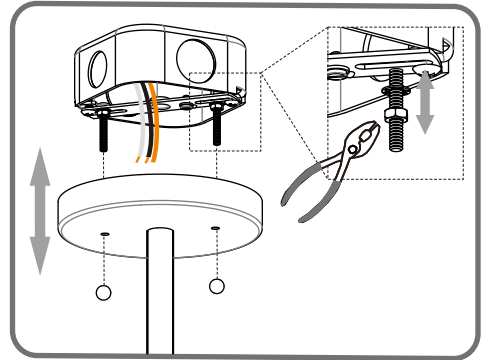


2

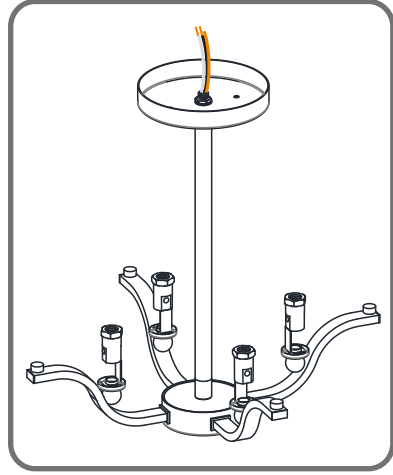
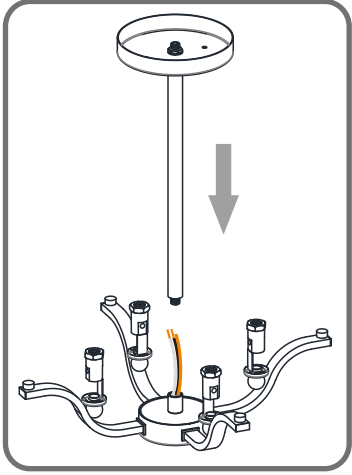
**Step 2 - 3**  
Test fitting ceiling canopy to mounting screws



3



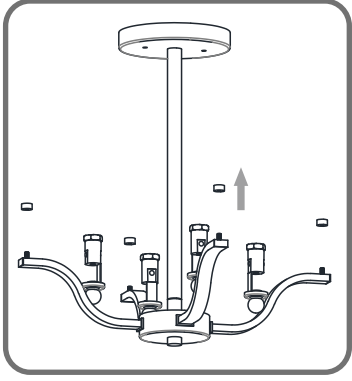
**STEP 2**



**STEP 3**

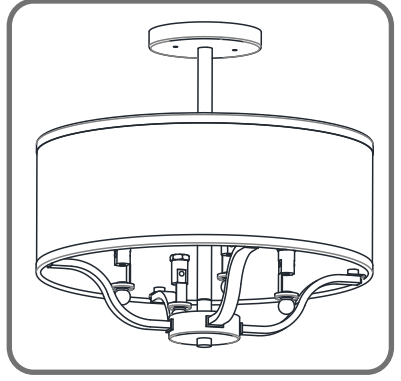
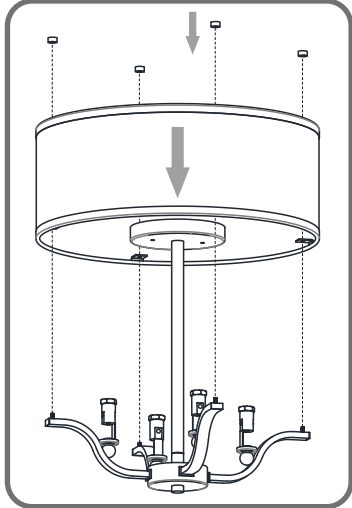
1

**Remove lock balls**

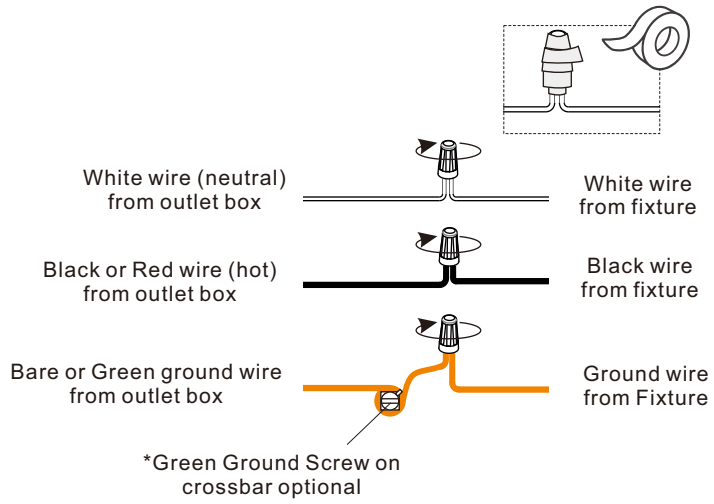


2

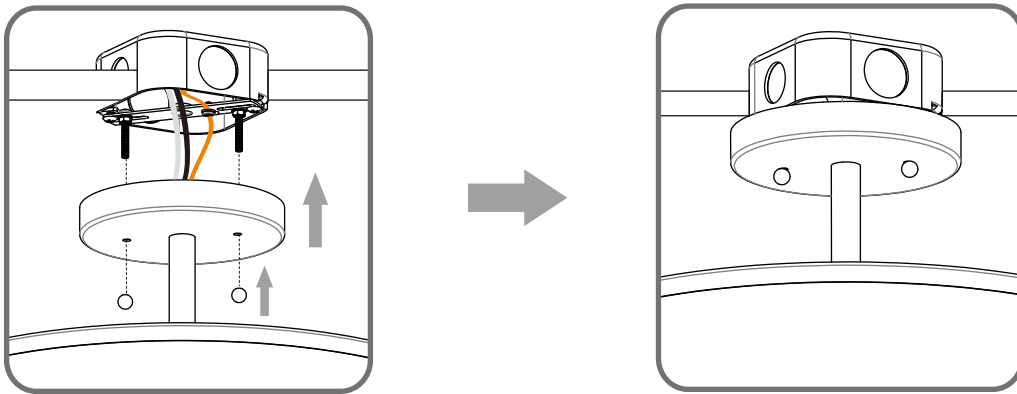
**Install shade**



## STEP 4



## STEP 5



## STEP 6

