

SAFETY INFORMATION

Please read and understand this entire manual before attempting to assemble, install or operate the product.

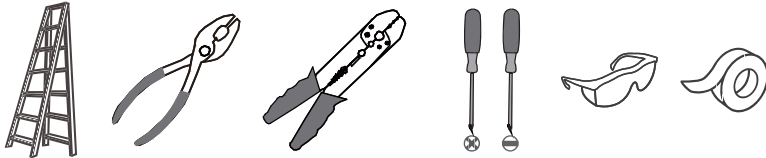
WARNING

- RISK OF ELECTRIC SHOCK - Before beginning installation, turn off electricity at the circuit breaker box or the main fuse box.
- RISK OF FIRE - Use bulbs specified by the markings and/or labels on the fixture.

CAUTION

- For your safety, read instructions completely before beginning installation.
- If in doubt about electrical installation, consult a licensed electrician.
- Turn off electricity to fixture before replacing the bulb(s).

TOOLS REQUIRED

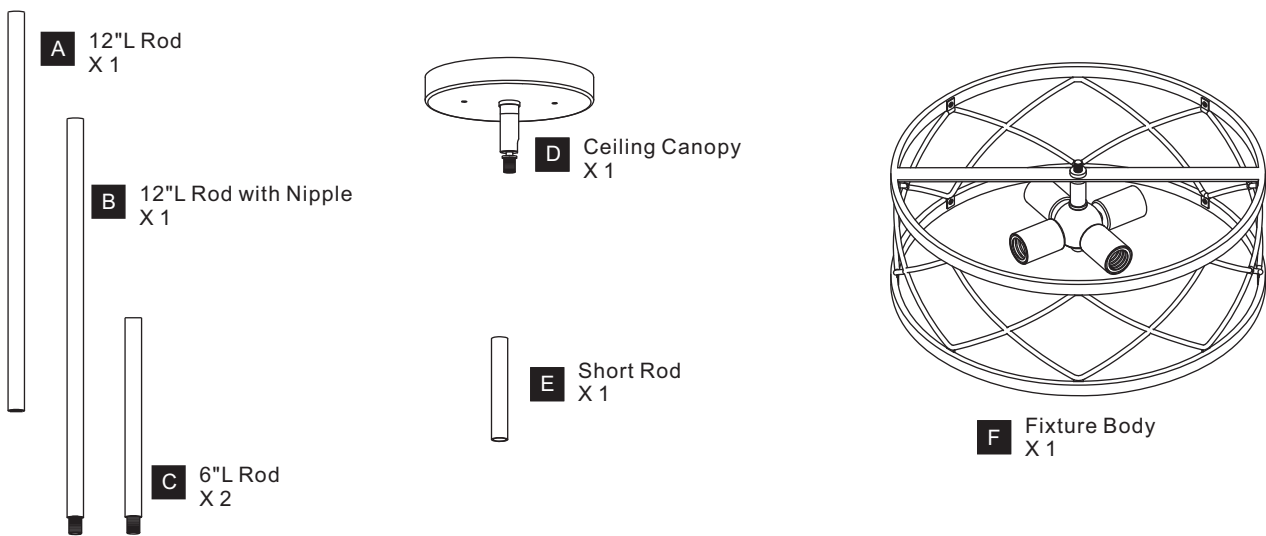


CARE AND MAINTENANCE

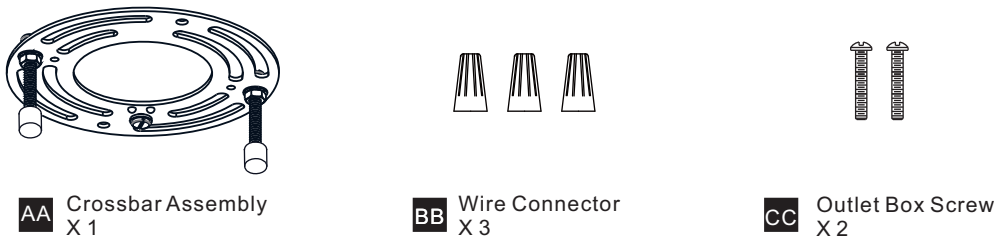
- Wipe clean using soft, dry cloth or static duster. Always avoid using harsh chemicals and abrasives to clean fixture as they may damage the finish.

If you need further assistance call Quoizel Customer Care at 1-800-645-3184(9:00am - 5:00pm EST), or visit us on-line at www.quoizel.com

PACKAGE CONTENTS



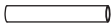
MOUNTING HARDWARE



INSTALLATION

OPTION 1: PENDANT QP5632MBK

* Set aside Short Rod since it is not required for the pendant installation.



1 Install Rods to Fixture Body

Optional Rods:
8 Feet Ceiling:
(2) 12"L Rods.
9 Feet Ceiling:
(2) 6"L Rods + (2) 12"L Rods.

2 Install Ceiling Canopy A to Upper Rod

3 Install Crossbar Assembly

Outlet Box

4 Wiring

White wire from supply White from fixture
Black (or red) wire from supply Black from fixture
Ground wire from supply Ground wire from fixture
Green ground screw

5 Install Ceiling Canopy to Crossbar Assembly

Swivel
90Degree

For angled ceilings,
Swivel opening towards wall.

6 Install Bulbs

Install four correct bulbs referring to fixture markings and/or labels for maximum wattage.

Recommended Bulb Type (not included):

BULB BASE TYPE
Medium (E26)

BULB TYPE
TYPE A
100W MAX

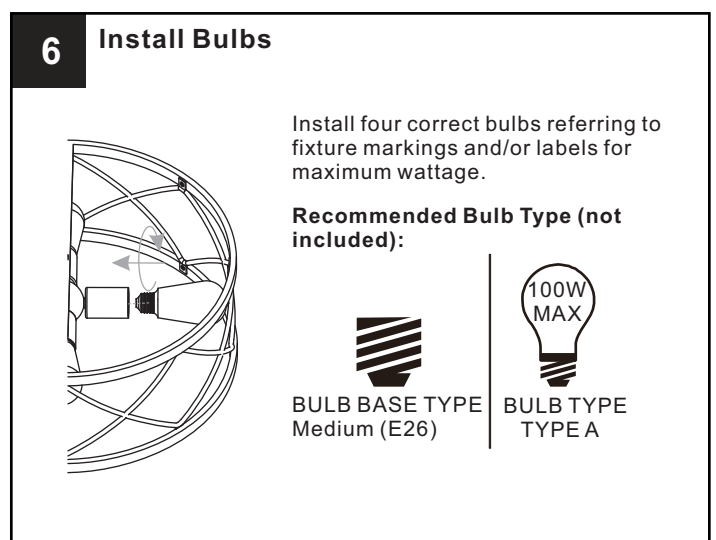
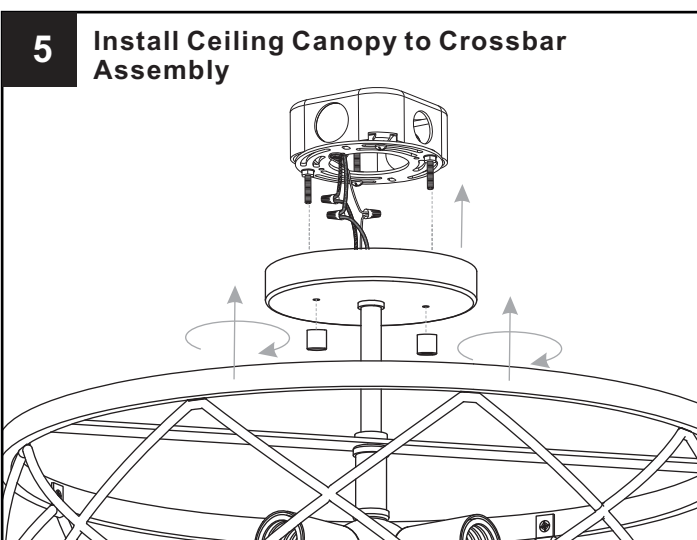
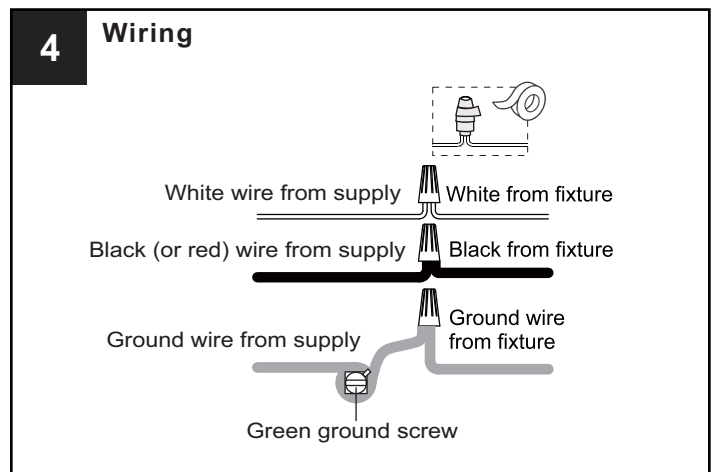
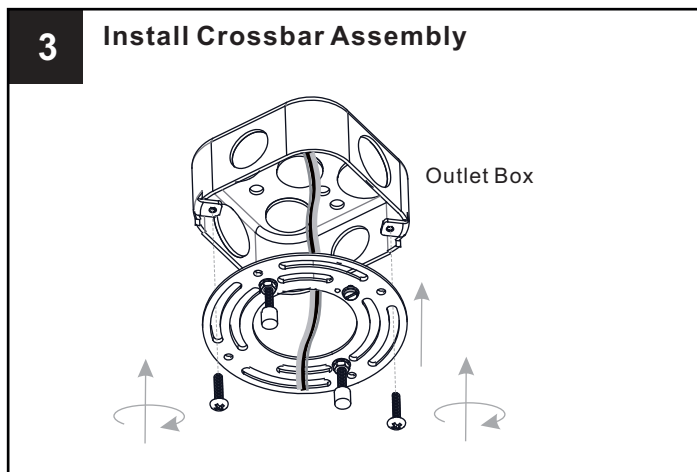
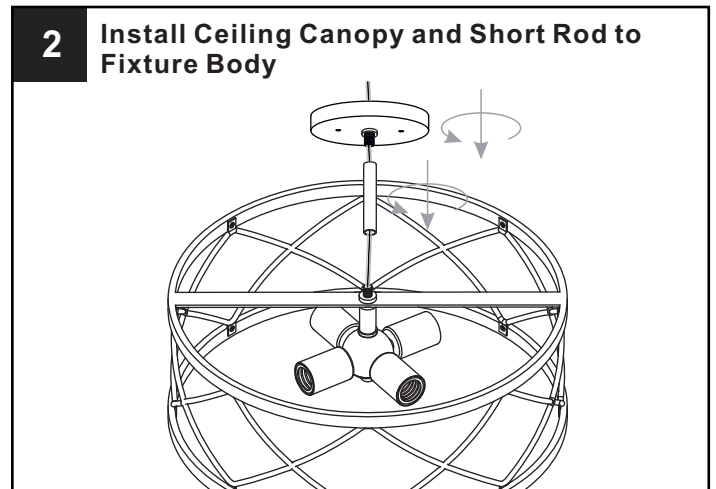
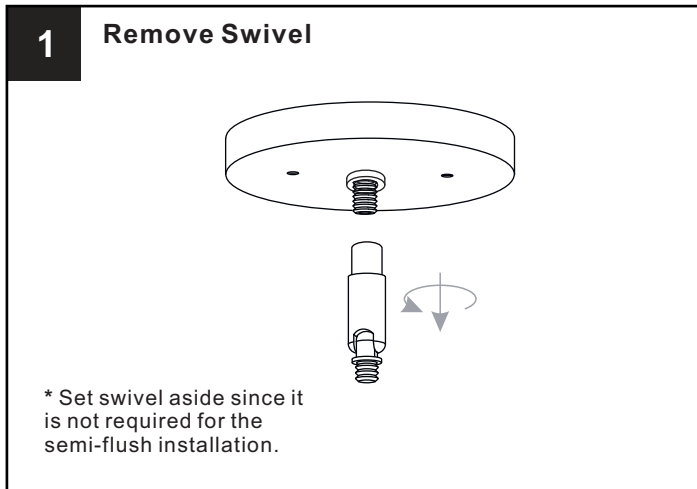
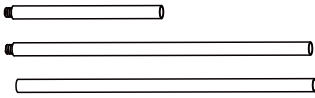
Your installation is now complete! Restore electricity and save this sheet for future reference.

INSTALLATION

IMPORTANT: This CONVERTIBLE fixture can be mounted as pendant light or semi-flush light. **DO NOT CUT SUPPLY WIRES** if you intend to use it as pendant light.

OPTION 2: SEMI - FLUSH QSF5632MBK

* Set aside (2) 6"L Rods, (1) 12"L Rod and (1) 12"L Rod with Nipple since they are not required for the semi-flush installation.



Your installation is now complete! Restore electricity and save this sheet for future reference.