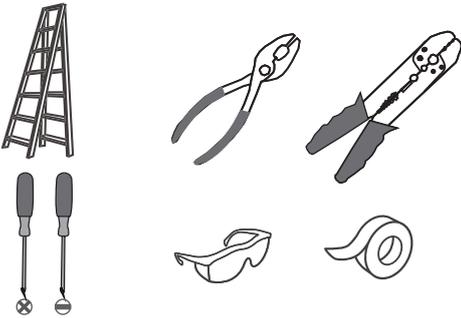
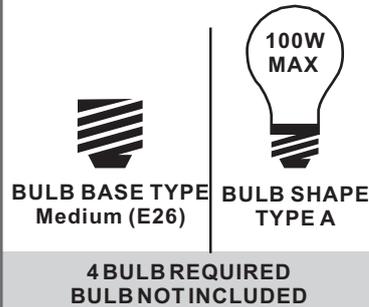


Tools Required



Light Source



Fixture Height Adjustable 12.5" to 48.5"

Warnings and Cautions

Turn off the electricity at the circuit breaker before installation. Consult a licensed electrician if in doubt about installation.

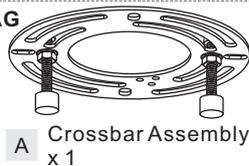
Turn off power to the fixture and allow the bulbs to cool before replacing.

Package Contents

Preparation: Identify and inspect all parts before beginning the installation.

Missing or damaged parts? Contact your original place of purchase.

PARTS BAG



A Crossbar Assembly x 1



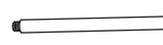
B Outlet Box Screw x 2



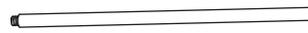
C Wire Connector x 3



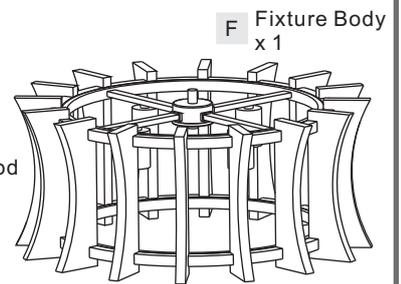
D Ceiling Canopy x 1



E 6" L Rod x 2



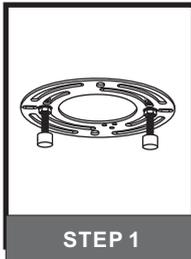
H 12" L Rod x 2



F Fixture Body x 1

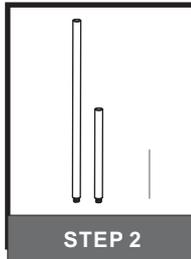
Table of Contents

Crossbar Assembly



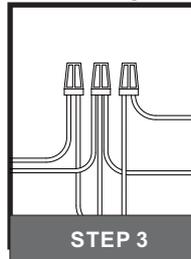
STEP 1

Downrod



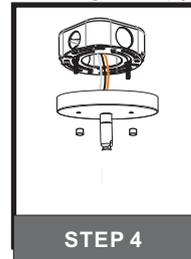
STEP 2

Wiring



STEP 3

Ceiling Canopy



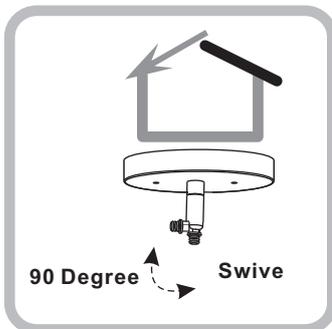
STEP 4

Bulb



STEP 5

STEP 1

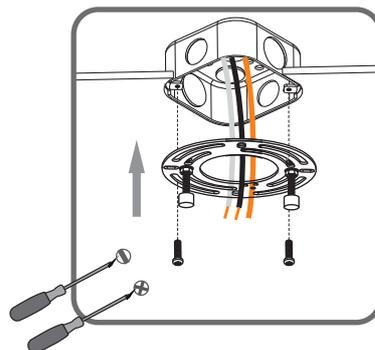


90 Degree Swive

For angled ceilings, Swivel opening towards wall.

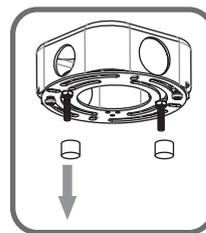
1

Step 1
Install crossbar assembly

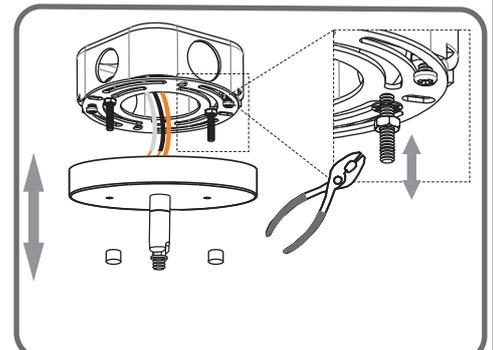


2

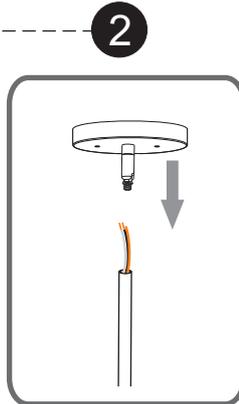
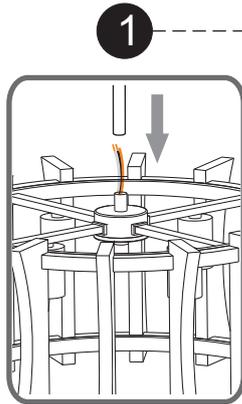
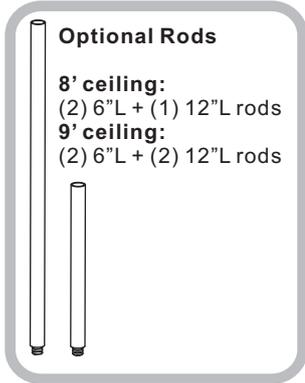
Step 2 - 3
Test fitting ceiling canopy to mounting screws



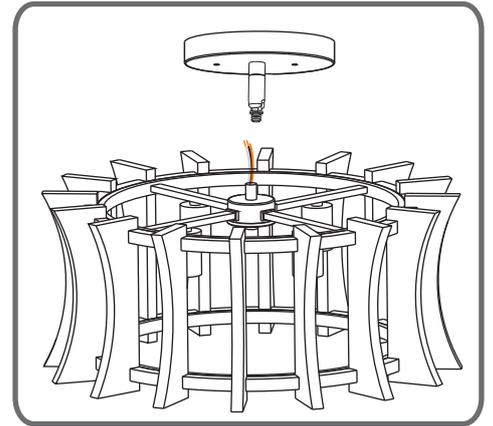
3



STEP 2

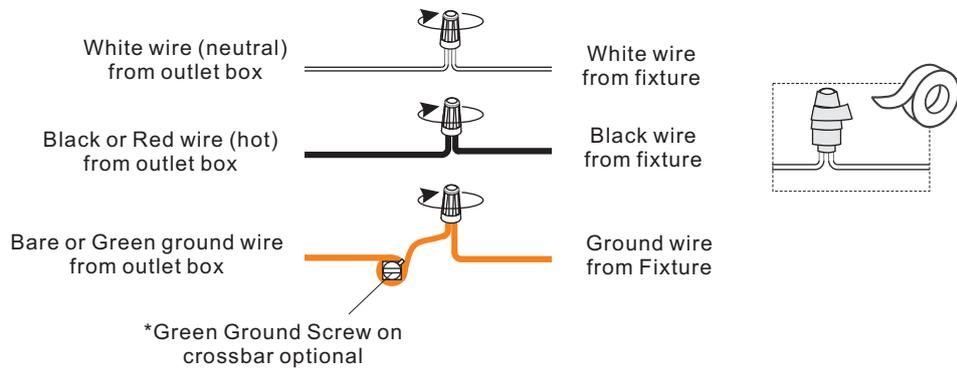


OPTION 1

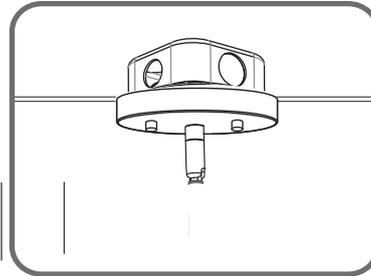
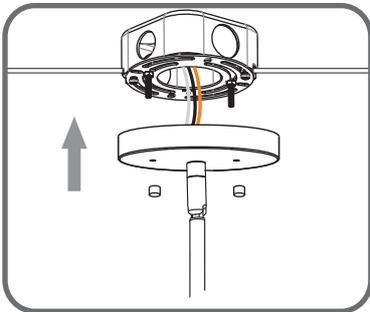


OPTION 2

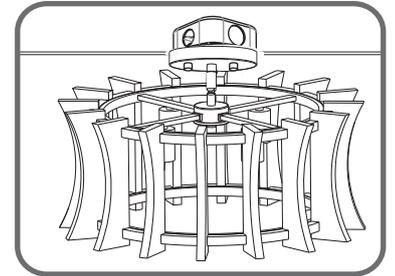
STEP 3



STEP 4

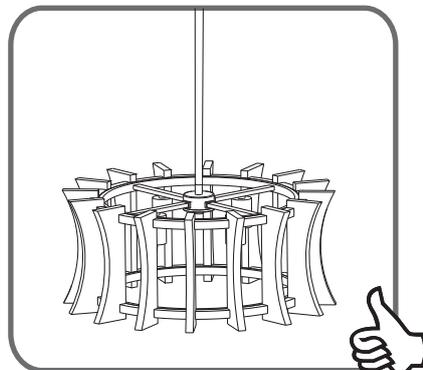
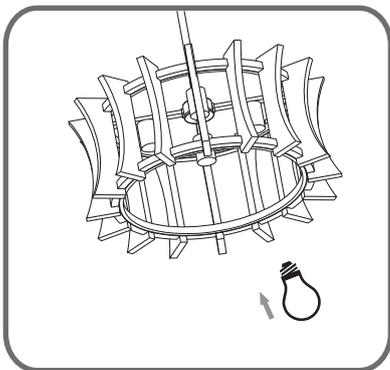


OPTION 1

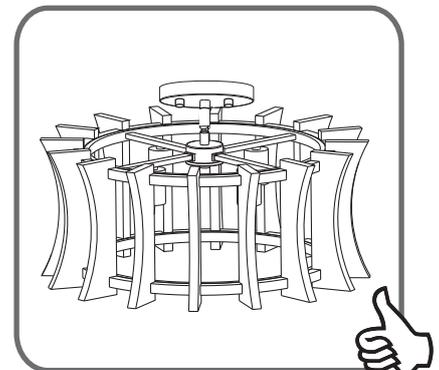


OPTION 2

STEP 5



OPTION 1



OPTION 2