

INSTALLATION GUIDE FOR PCGI8523AB, PCGI8523C, PCGI8523MBK, PCGI8528AB, PCGI8528C and PCGI8528MBK

SAFETY INFORMATION

Released Date: 2022-05-07

Please read and understand this entire manual before attempting to assemble, install or operate the product.

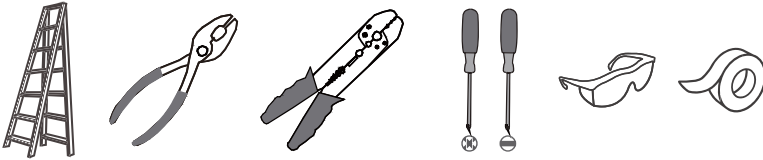
WARNING

- RISK OF ELECTRIC SHOCK - Before beginning installation, turn off electricity at the circuit breaker box or the main fuse box.

CAUTION

- For your safety, read instructions completely before beginning installation.
- If in doubt about electrical installation, consult a licensed electrician.

TOOLS REQUIRED



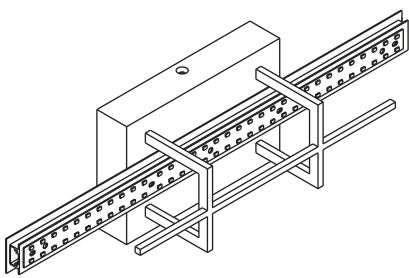
Ratings	120Vac, 60Hz	
	Model No.	Wattage
	PCGI8523AB	17W
	PCGI8523C	17W
	PCGI8523MBK	17W
	PCGI8528AB	23W
	PCGI8528C	23W
PCGI8528MBK	23W	

CARE AND MAINTENANCE

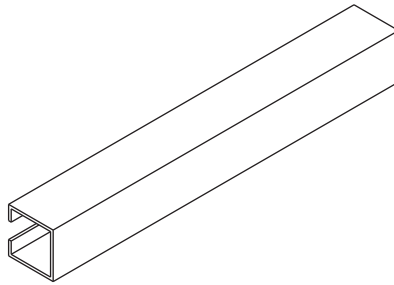
- Wipe clean using soft, dry cloth or static duster. Always avoid using harsh chemicals and abrasives to clean fixture as they may damage the finish.

If you need further assistance call Quozel Customer Care at 1-800-645-3184 (9:00am - 5:00pm EST), or visit us on-line at www.quozel.com.

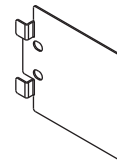
PACKAGE CONTENTS



A Fixture Body
x 1



B Glass
x 1

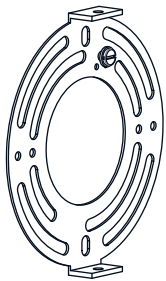


C End Cap
x 2



D Screw
[pre-assembled
to Fixture Body]
x 4

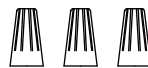
MOUNTING HARDWARE



AA Crossbar
x 1



BB Mounting Screw
x 2



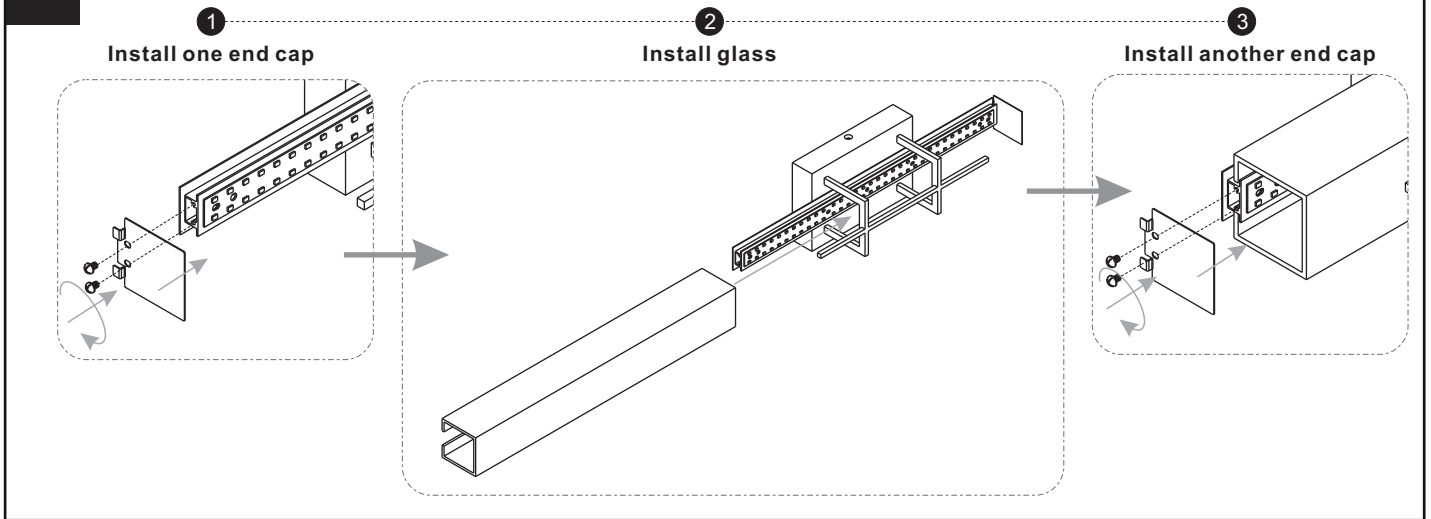
CC Wire Connector
x 3



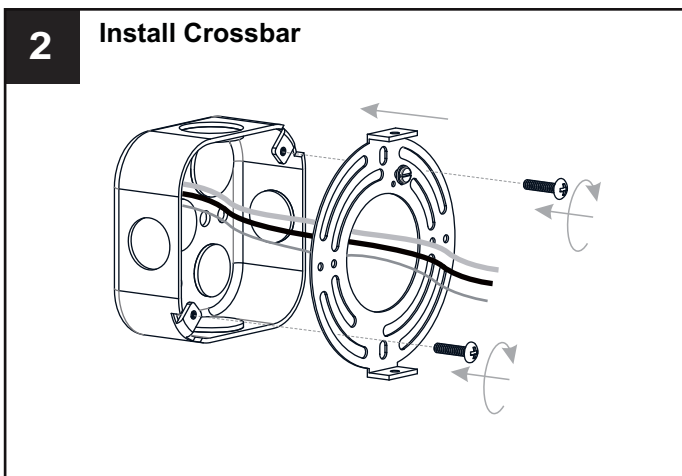
DD Outlet Box Screw
x 2

INSTALLATION

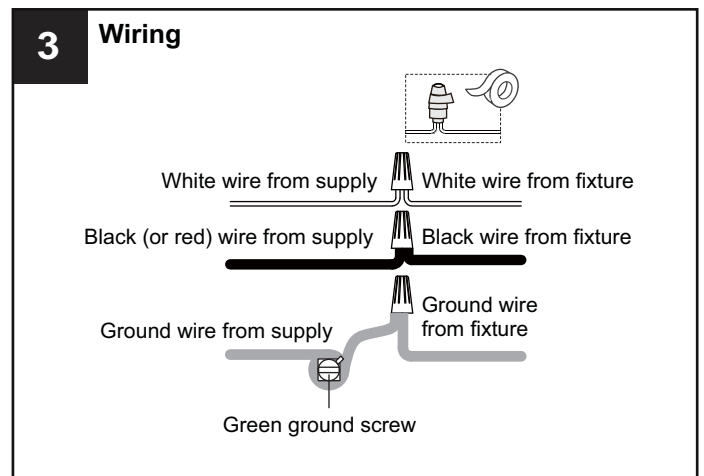
1 Install Glass and End Caps



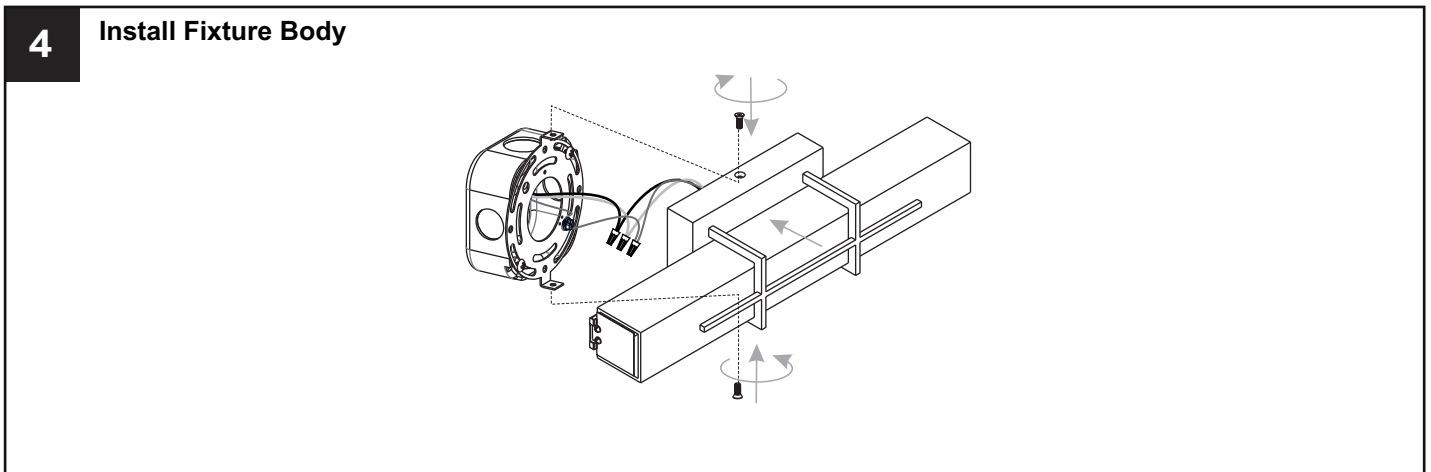
2 Install Crossbar



3 Wiring



4 Install Fixture Body



Your installation is now complete! Restore electricity and save this sheet for future reference.