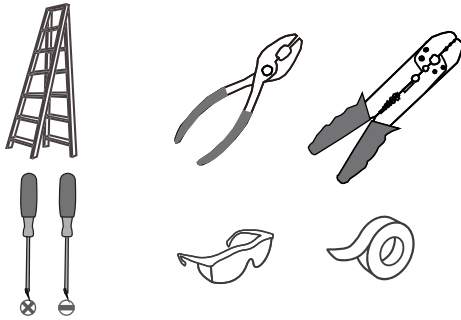
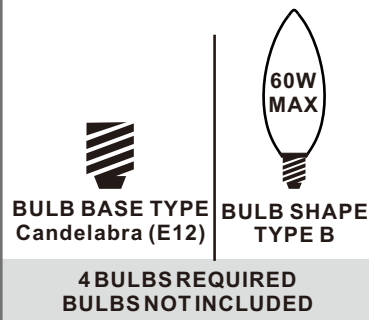


**Tools Required**



**Light Source**



**Fixture Height Adjustable  
15.5" to 45.75"**

**⚠ Warnings and Cautions**

Turn off the electricity at the circuit breaker before installation. Consult a licensed electrician if in doubt about installation.

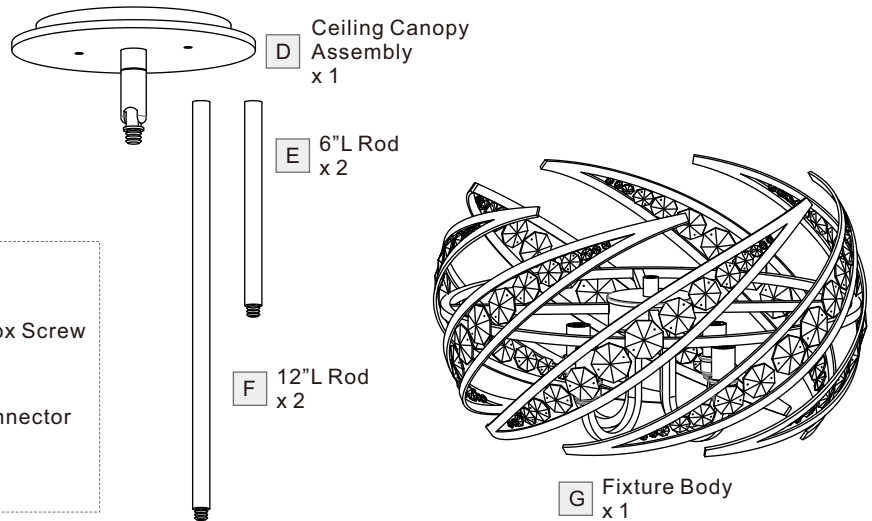
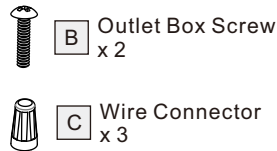
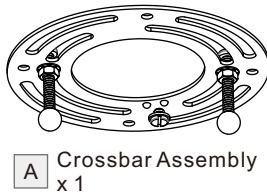
Turn off power to the fixture and allow the bulbs to cool before replacing.

**Package Contents**

**Preparation:** Identify and inspect all parts before beginning the installation.

Missing or damaged parts? Contact your original place of purchase.

**PARTS BAG**



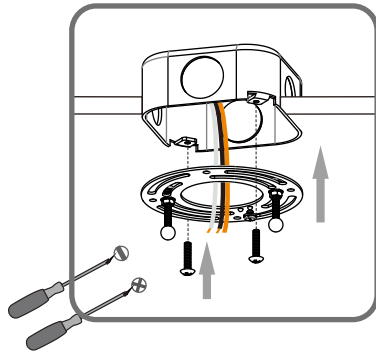
**Table of Contents**

Crossbar Assembly	Ceiling Canopy Assembly & Downrod	Lanyard	Wiring	Ceiling Canopy	Bulb
STEP 1	STEP 2	STEP 3	STEP 4	STEP 5	STEP 6

# STEP 1

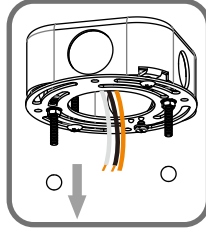
1

Step 1  
Install crossbar assembly

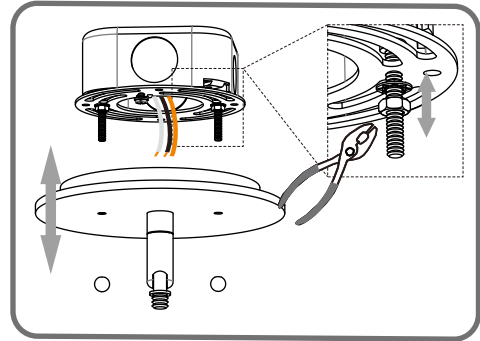


2

Step 2 - 3  
Test fitting ceiling canopy to mounting screws



3



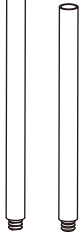
# STEP 2

## OPTION 1

Pendant — PCCN2818PK

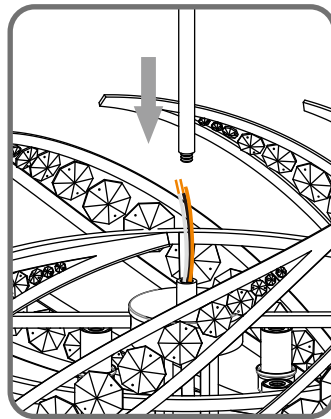
### Optional Rods

- 8' ceiling:  
(2) 12" L rods
- 9' ceiling:  
(2) 6" L + (2) 12" L rods



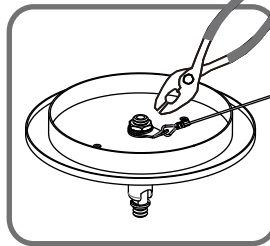
1

Install rods



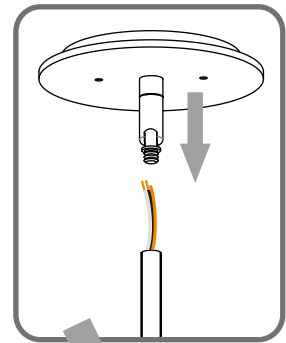
2

Tighten hex nut inside of the ceiling canopy



3

Install Ceiling Canopy

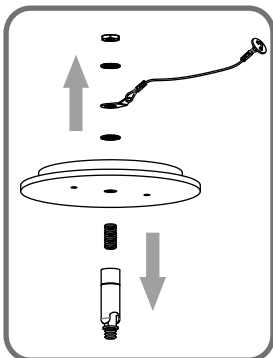


## OPTION 2

Semi-flush — PCCN1718PK

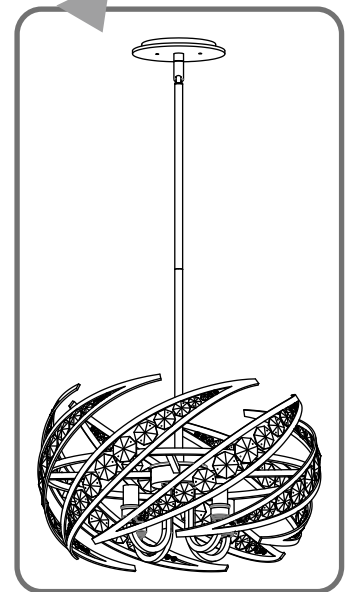
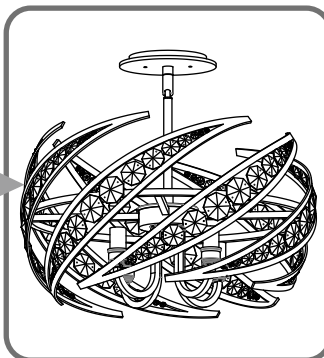
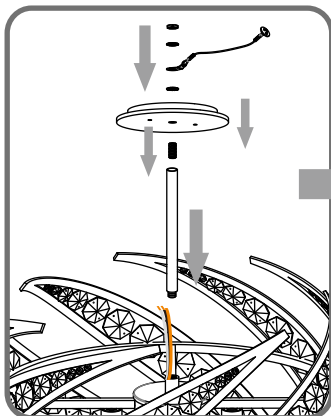
1

Remove swivel

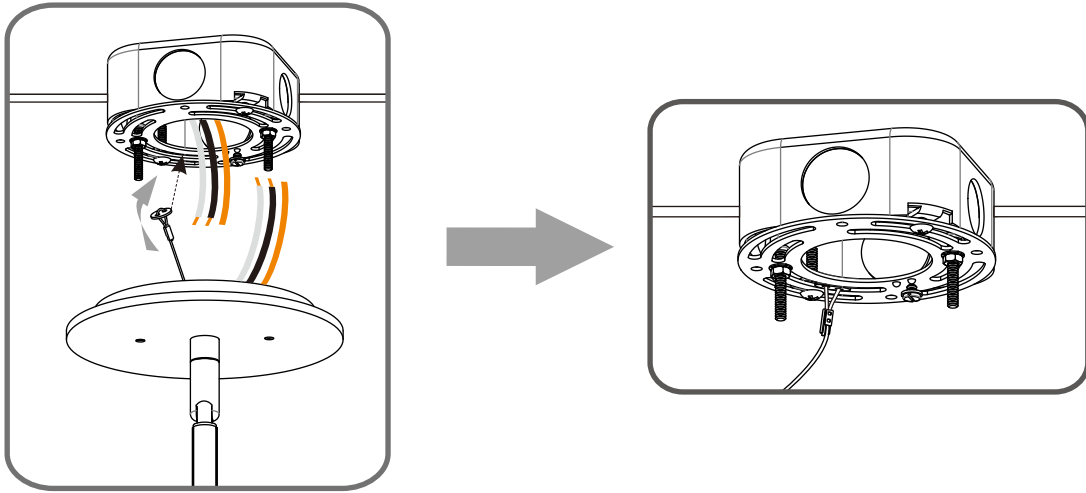


2

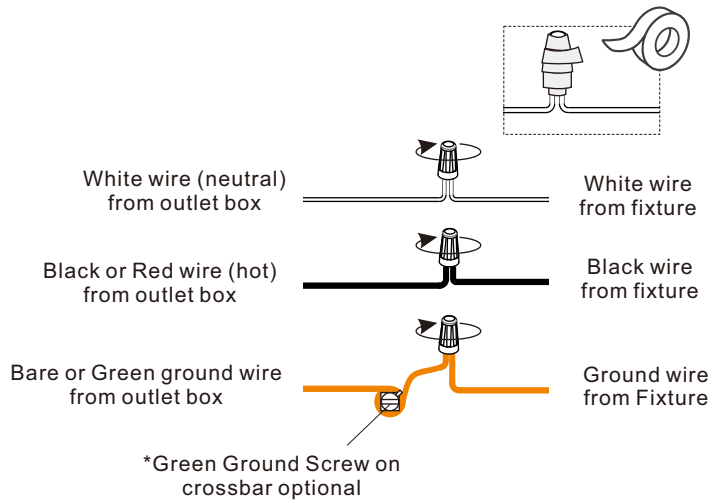
Install (1) 6" L rod and ceiling canopy



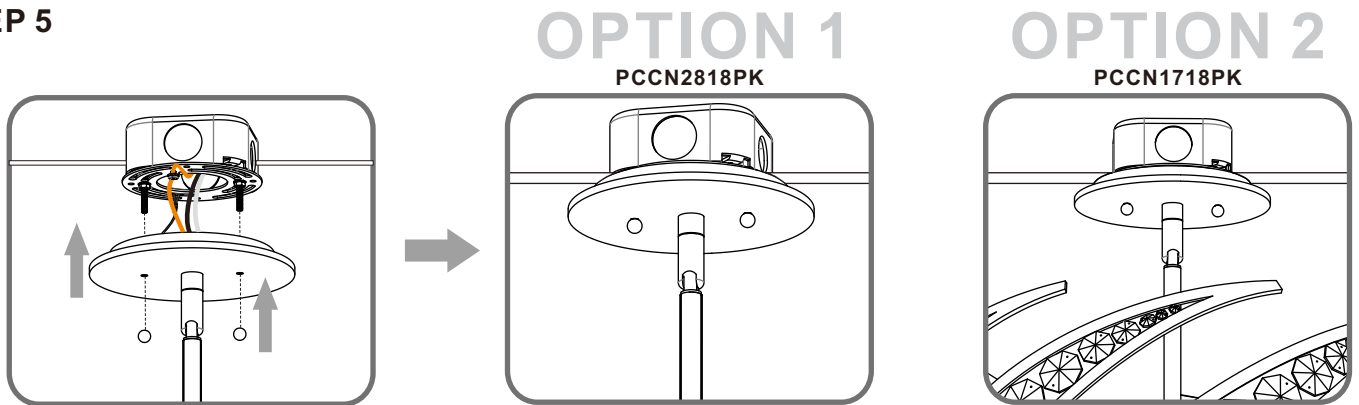
**STEP 3**



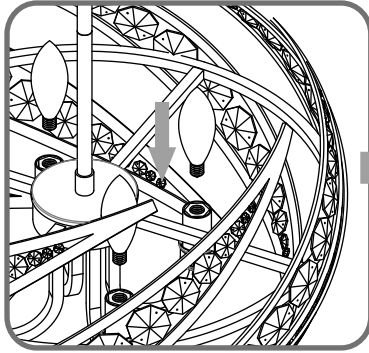
**STEP 4**



**STEP 5**

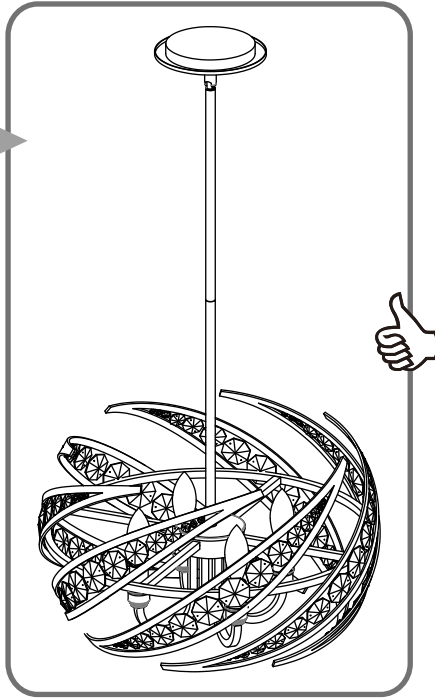


**STEP 6**



**OPTION 1**

PCCN2818PK



**OPTION 2**

PCCN1718PK

