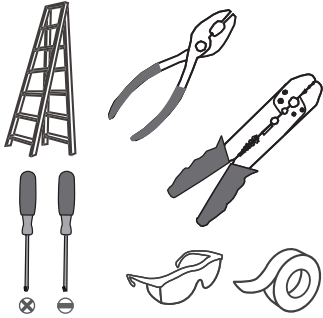


Tools Required



Light Source

40W
LED

Warnings and Cautions

Turn off the electricity at the circuit breaker before installation. Consult a licensed electrician if in doubt about installation.

Turn off power to the fixture and allow the bulbs to cool before replacing.

Package Contents

Preparation: Identify and inspect all parts before beginning the installation.

Missing or damaged parts? Contact your original place of purchase.

PARTS BAG

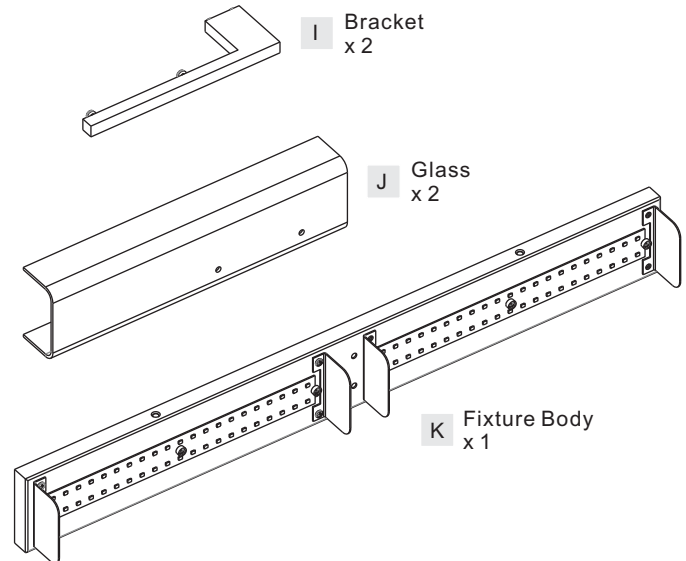
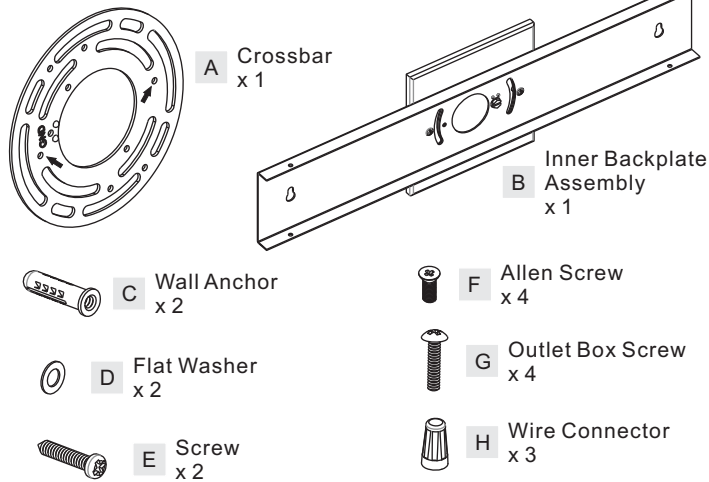
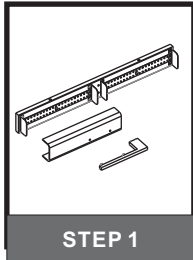
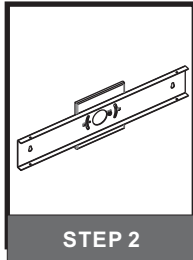


Table of Contents

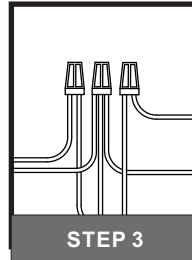
Bracket, Glass & Fixture Body



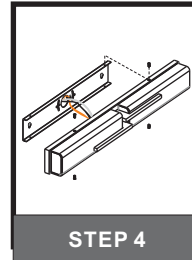
Inner Backplate Assembly



Wiring



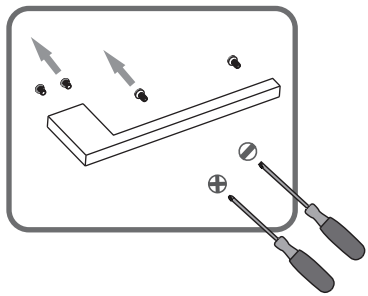
Fixture Body



STEP 1

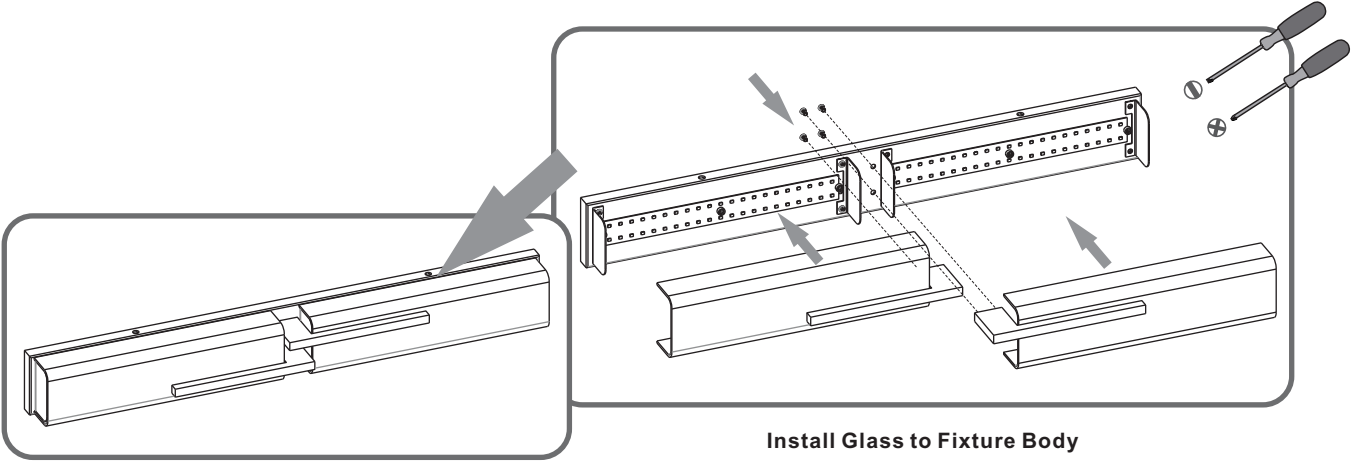
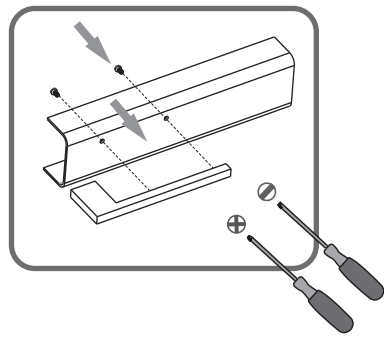
1

Remove screws from Bracket



2

Install Glass to Bracket



Install Glass to Fixture Body

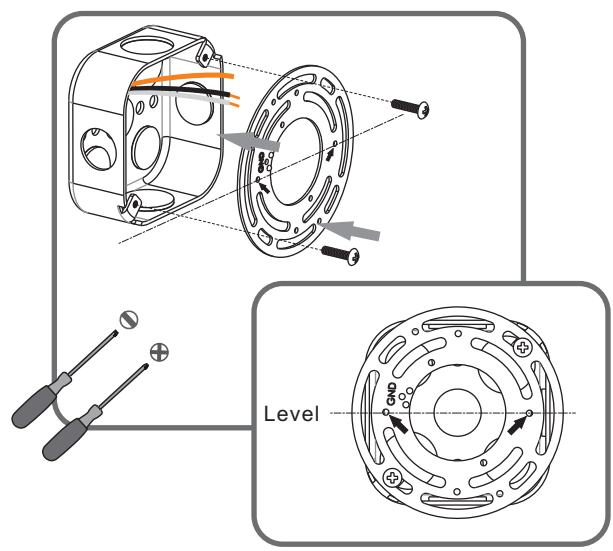
3

STEP 2

OPTION 1 With Outlet Box

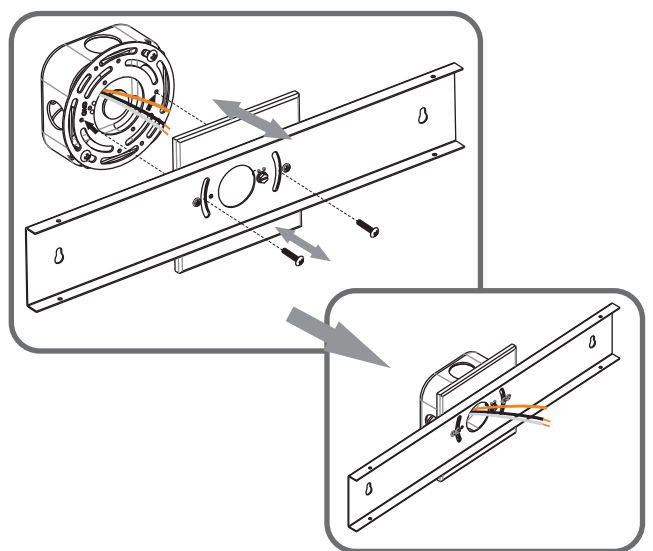
1

Install Crossbar



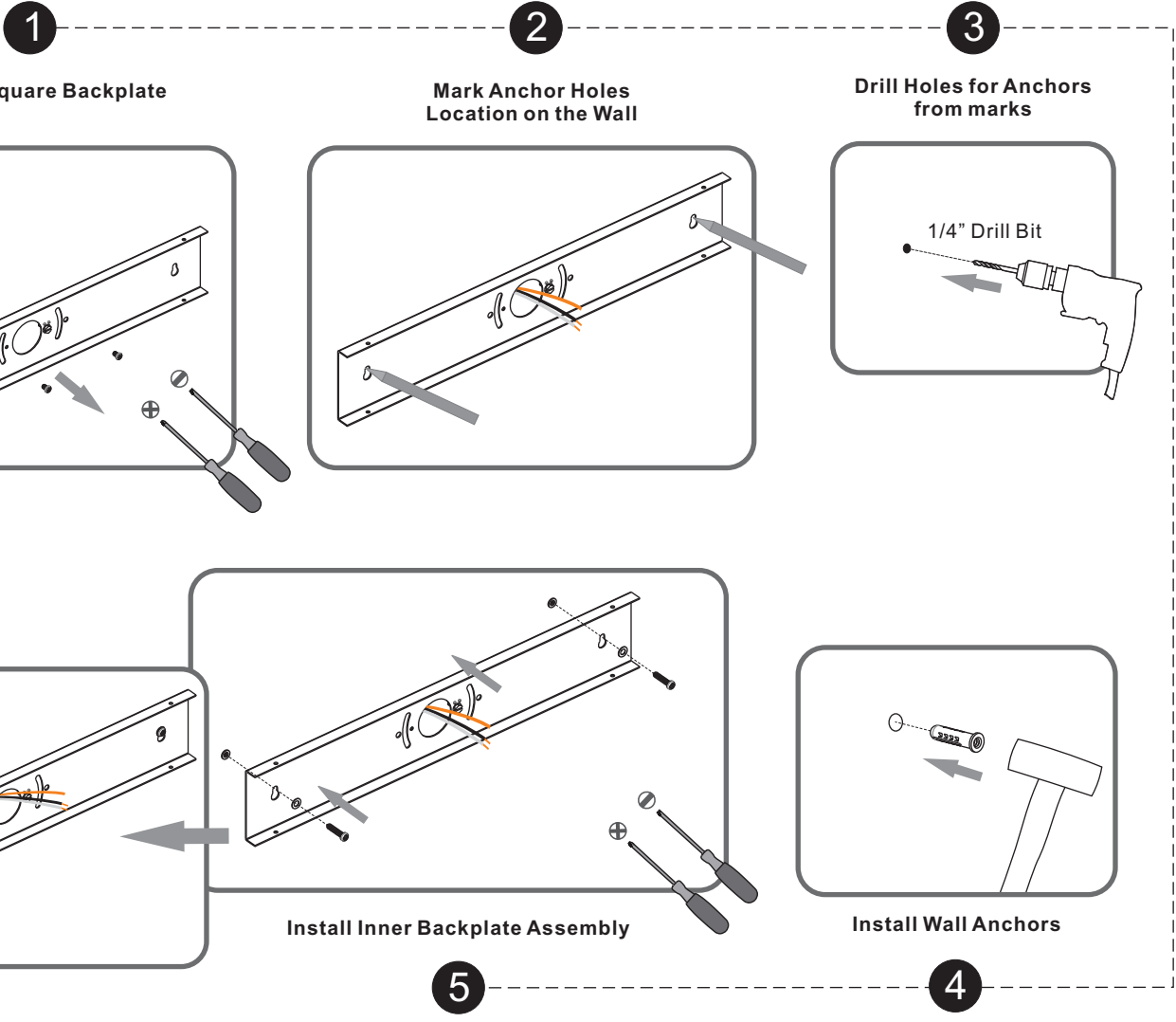
2

Install Inner Backplate Assembly to Crossbar

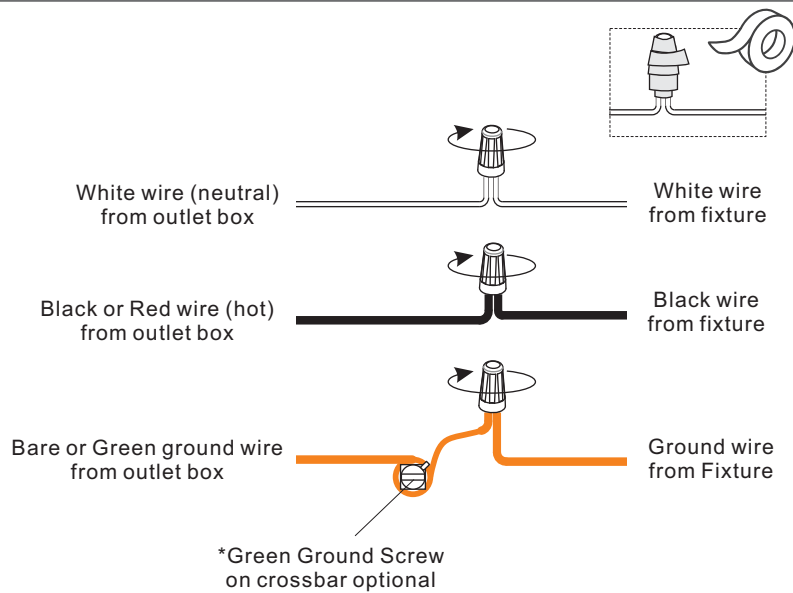


STEP 2 (Continued)

OPTION 2 Without Outlet Box



STEP 3



STEP 4

