

Please go to www.quoizel.com for product cleaning tips. Go to the **Care + Maintenance** selection.

Tools Required: Flathead screwdriver, Phillips screwdriver, pliers, wire cutters, wire strippers, electrical tape, safety glasses.

Light Source: (2) A19 Medium Base Bulbs 75W Maximum

Estimated Assembly Time: 30-45 minutes

Preparation: Identify and inspect all parts before beginning installation. Check package content list and diagrams below to be sure all parts are present. If any parts are missing or damaged, do not attempt to assemble, install, or operate the fixture. Contact customer service for replacement parts.

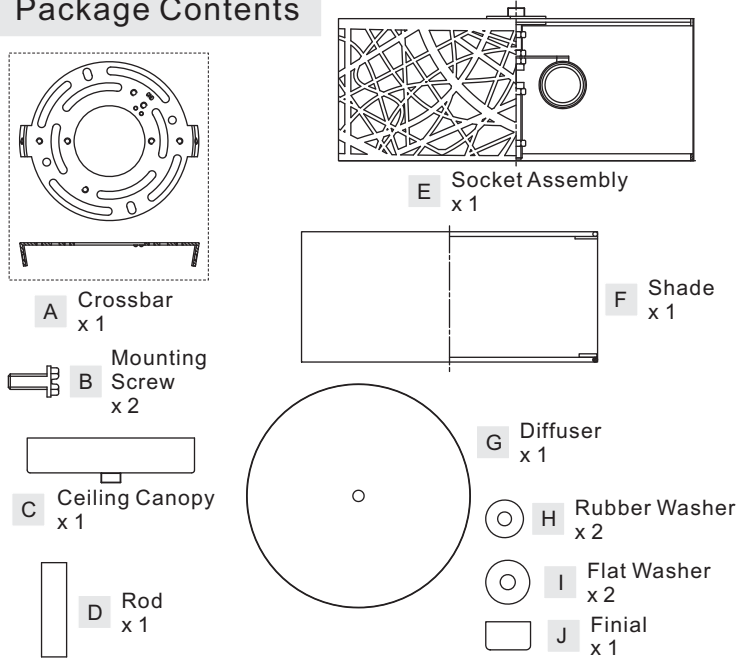
⚠ Warnings and Cautions

Turn off electricity at circuit breaker or main fuse box before installation. Consult a licensed electrician if in doubt.

These instructions are provided for your safety. It is very important you read them completely before installing the fixture. We strongly recommend that a licensed, professional electrician perform the installation.

Disconnect fixture from power source before replacing bulbs. Make sure bulbs are given sufficient time to cool before removal.

Package Contents



STEP 1 - Assemble Ceiling Canopy to Socket Assembly

- Thread one end of the Rod (D) onto the top center of the Socket Assembly (E) and hand tighten until snug.
- Thread the Ceiling Canopy (C) onto the top end of the Rod (D) and hand tighten until snug.

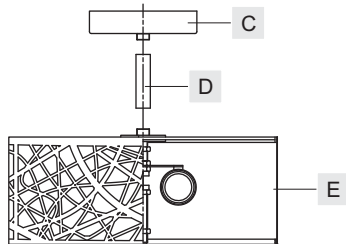


Figure 1

STEP 2 - Install the Crossbar to the junction box

- Attach the Crossbar (A) to the Outlet Box with the head of the Green Ground Screw facing you. Secure it with Outlet Box Screws (not included), tighten until snug.

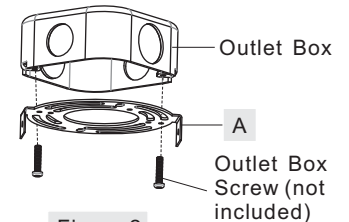


Figure 2

STEP 3 - Making the Wire Connections

- Use standard wire connectors (not included) to make all wire connections. Twist connectors until wires are tightly joined together. Wrap each connection with approved electrical tape and carefully stuff all the connected wires into outlet box.

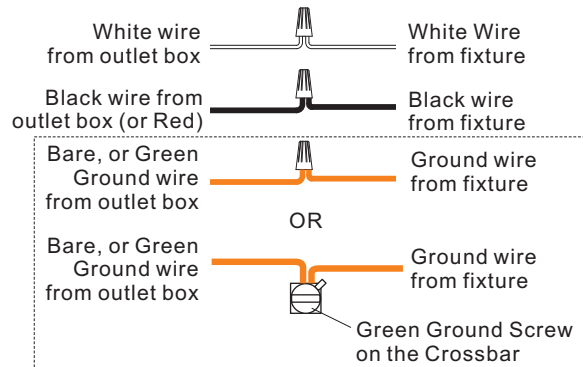


Figure 3

STEP 4 - Install Fixture to Ceiling

- Place Ceiling Canopy (C) over the Crossbar (A). Line up Holes on the side of Ceiling Canopy (C) and the Mounting Hole on the Crossbar (A). Secure by threading Mounting Screws (B) into the Crossbar (A). Tighten until snug.

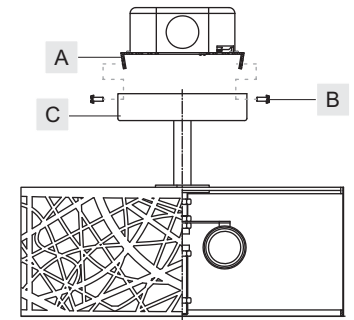


Figure 4

Thank you for purchasing a Quoizel product.
Need assistance with parts or assembly? Call Quoizel customer service at 1-800-645-3184
or visit us on-line at www.quoizel.com

STEP 5 – Attach Shade and Diffuser

A. Adjust the hex nut on the bottom end of the Nipple to proper location for rest components. Place the Shade (F), Flat Washers (I), the Diffuser (G) and Rubber Washers (H) over the end of the Nipple as shown in the illustration. Secure with the Finial (J) and hand tighten until snug.

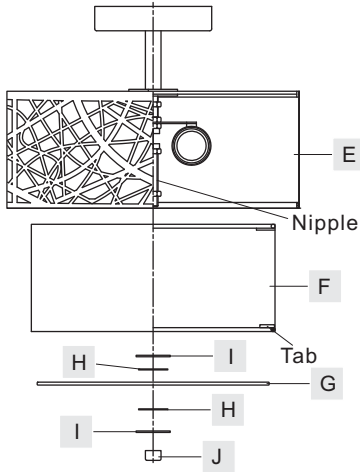


Figure 5

STEP 6 – Install Bulbs

A. Insert bulbs onto sockets and screw snugly into place.

Your fixture is now assembled and ready to use. Enjoy!

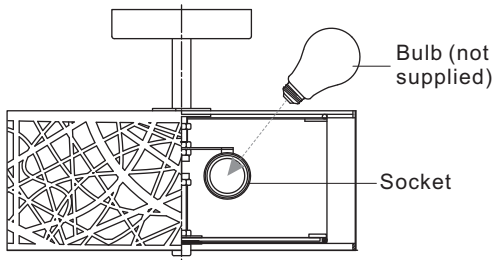
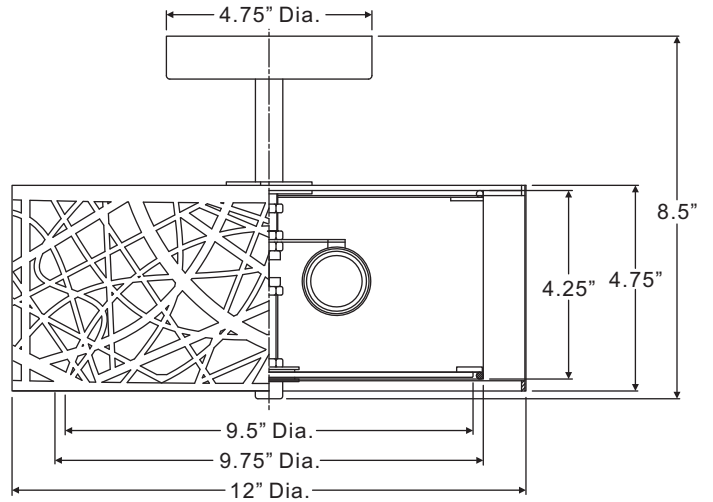
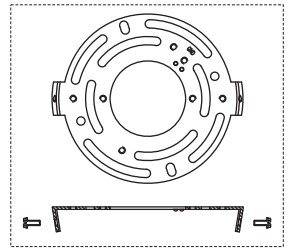


Figure 6

PCAE1712C

FINISH: POLISHED CHROME



NOTE: ALL DIMENSIONS ARE ROUNDED UP TO THE NEAREST 1/4"

Thank you for purchasing a Quoizel product.

Need assistance with parts or assembly? Call Quoizel customer service at 1-800-645-3184 or visit us on-line at www.quoizel.com