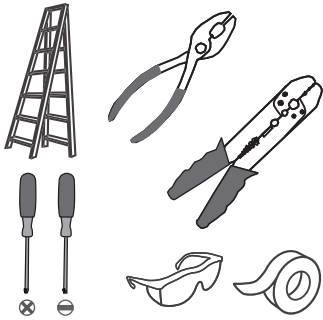
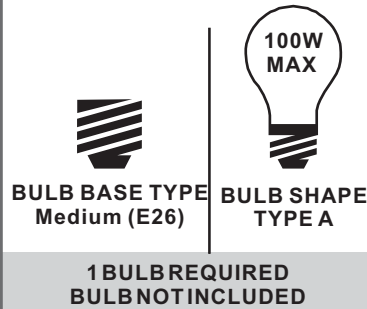


Tools Required



Light Source



Warnings and Cautions

Turn off the electricity at the circuit breaker before installation. Consult a licensed electrician if in doubt about installation.

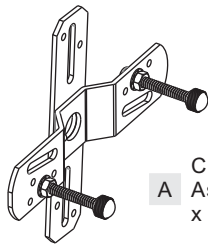
Turn off power to the fixture and allow the bulbs to cool before replacing.

Package Contents

Preparation: Identify and inspect all parts before beginning the installation.

Missing or damaged parts? Contact your original place of purchase.

PARTS BAG



A Crossbar Assembly x 1



B Alternate Mounting Screw x 2



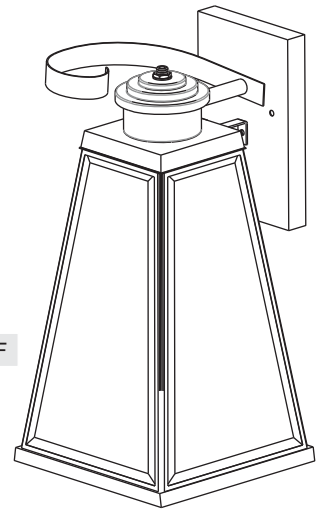
C Outlet Box Screw x 2



D Wire Connector x 3



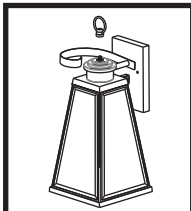
E Fixture Loop x 1



Fixture Body x 1 **F**

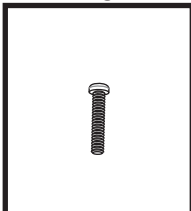
Table of Contents

Fixture Loop & Scroll



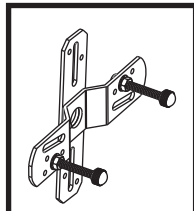
STEP 1

Alternate Mounting Screw



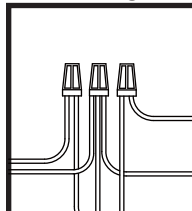
STEP 2

Crossbar Assembly



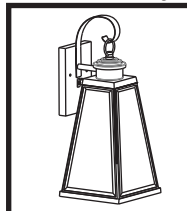
STEP 3

Wiring



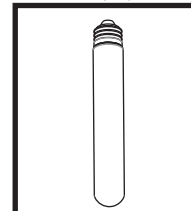
STEP 4

Fixture Body



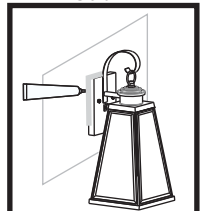
STEP 5

Bulb



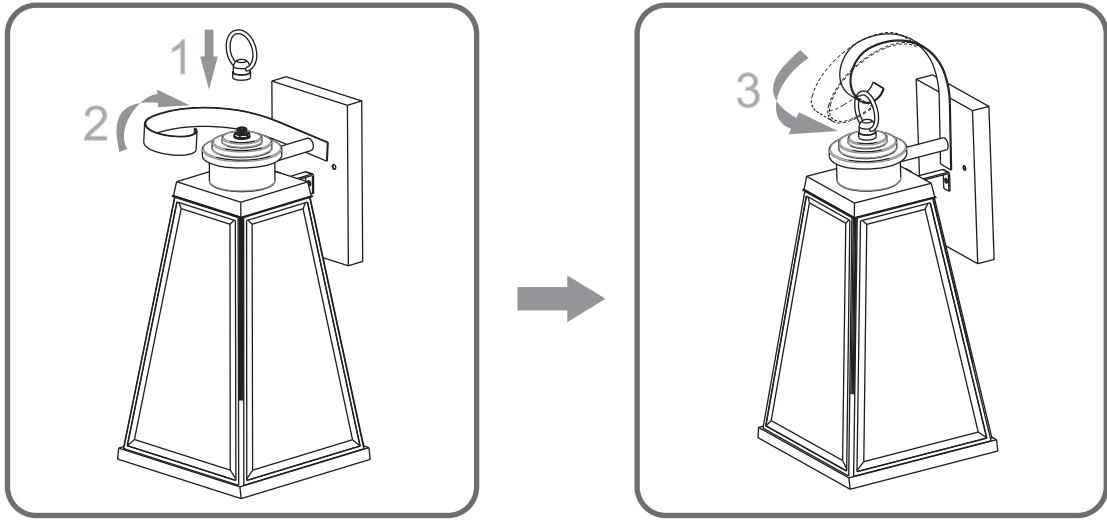
STEP 6

Caulk



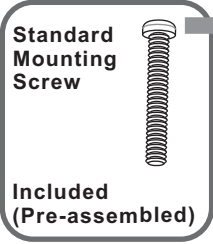
STEP 7

STEP 1



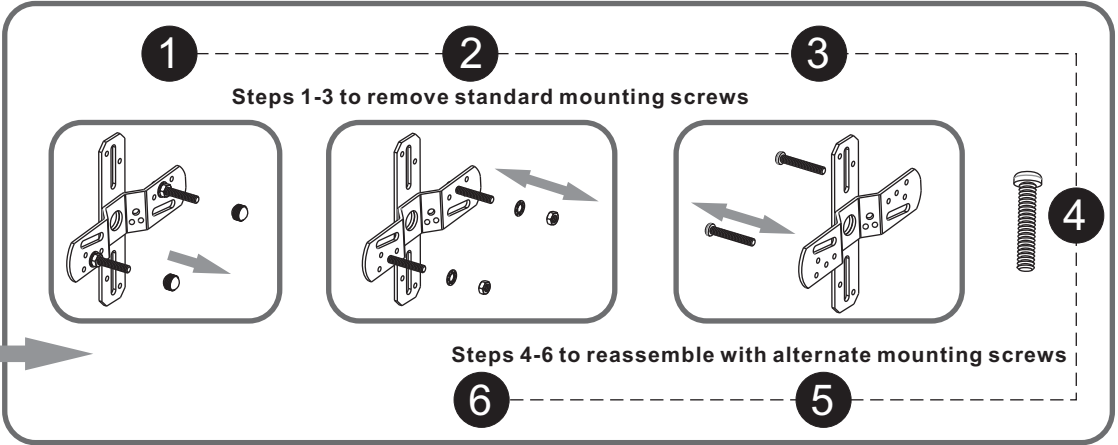
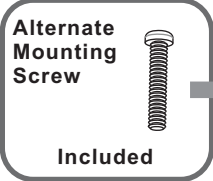
STEP 2

OPTION 1



skip to next page

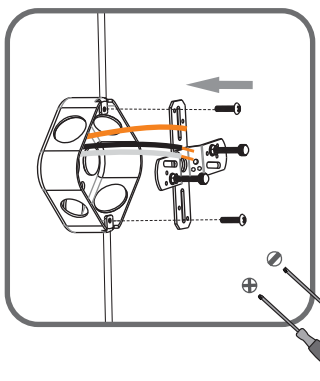
OPTION 2



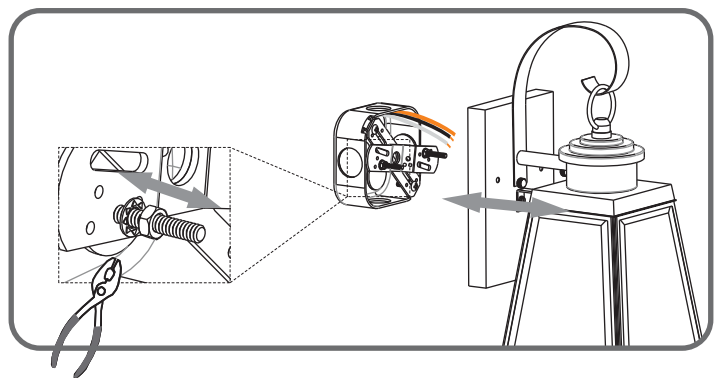
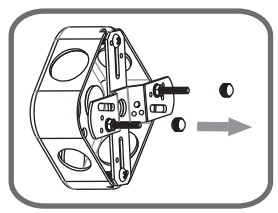
STEP 3

1 ----- 2 ----- 3

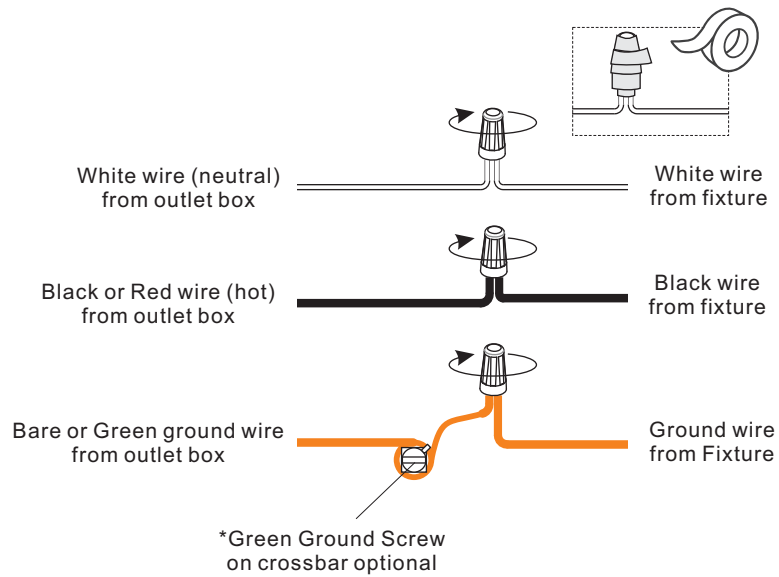
Step 1
Install crossbar assembly



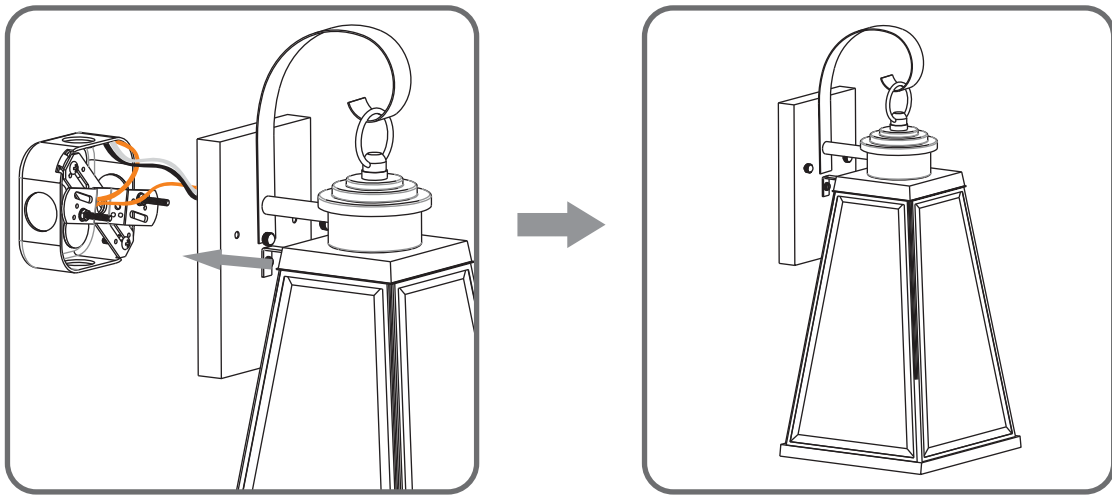
Step 2 - 3
Test fitting backplate to mounting screws



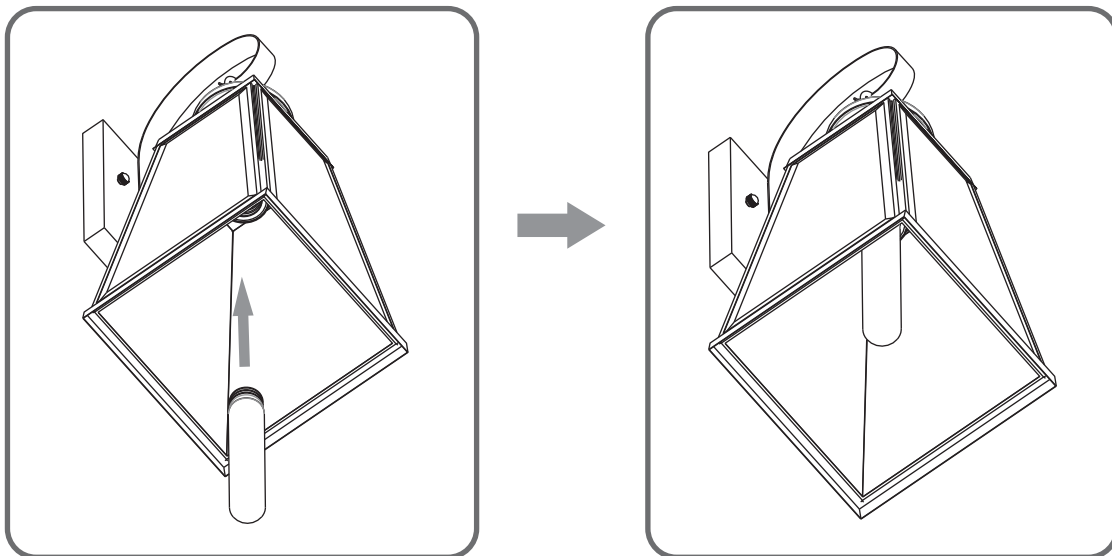
STEP 4



STEP 5



STEP 6



STEP 7

