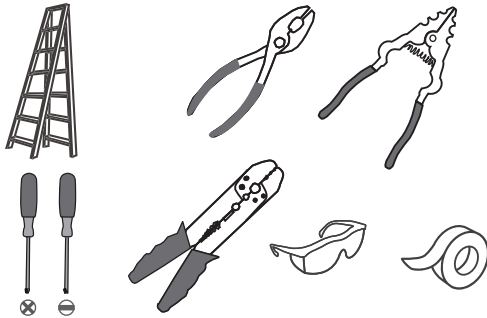
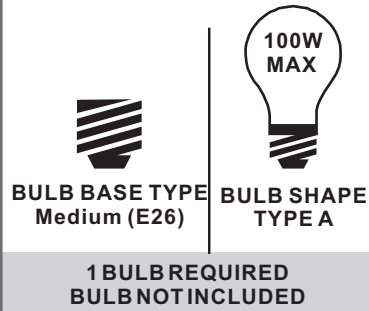


Tools Required



Light Source



**Fixture Height Adjustable
19" to 116.5"**

⚠ Warnings and Cautions

Turn off the electricity at the circuit breaker before installation. Consult a licensed electrician if in doubt about installation.

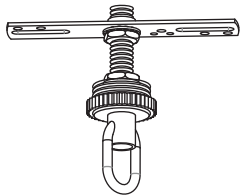
Turn off power to the fixture and allow the bulbs to cool before replacing.

Package Contents

Preparation: Identify and inspect all parts before beginning the installation.

Missing or damaged parts? Contact your original place of purchase.

PARTS BAG



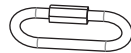
A Crossbar Assembly x 1



B Outlet Box Screw x 2



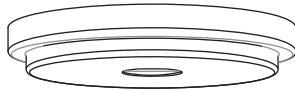
C Wire Connector x 3



D Quick Link x 2



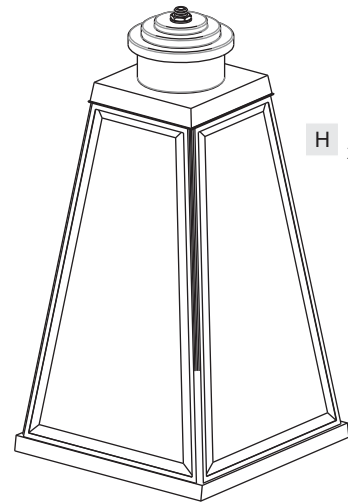
E Fixture Chain x 1



F Ceiling Canopy x 1



G Fixture Loop x 1

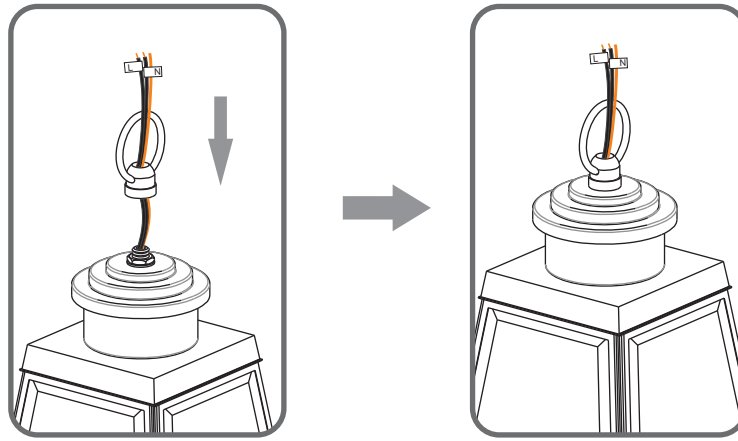


H Fixture Body x 1

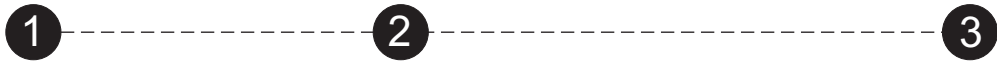
Table of Contents

Fixture Loop	Crossbar Assembly	Fixture Chain	Wiring	Ceiling Canopy	Bulb
STEP 1	STEP 2	STEP 3	STEP 4	STEP 5	STEP 6

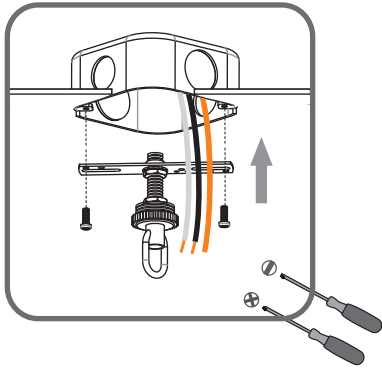
STEP 1



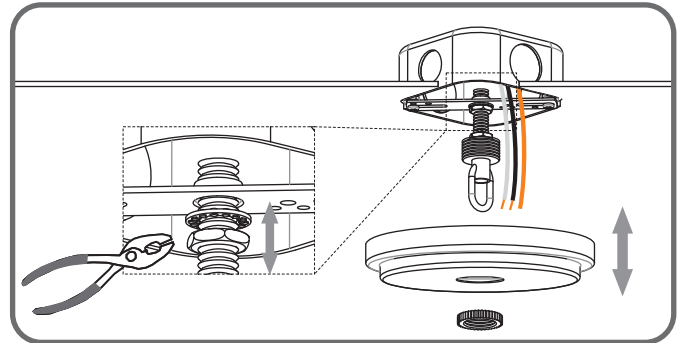
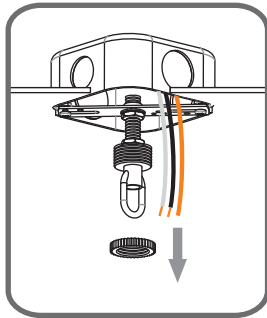
STEP 2



Step 1
Install crossbar assembly



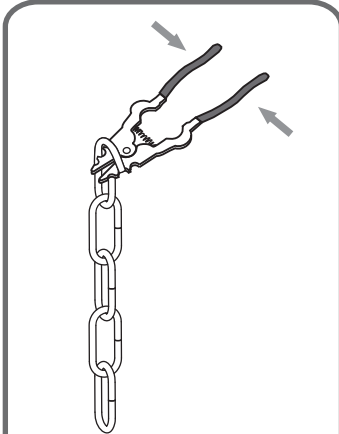
Step 2 - 3
Test fitting ceiling canopy to nipple



STEP 3

1

Step 1
Adjust fixture chain length

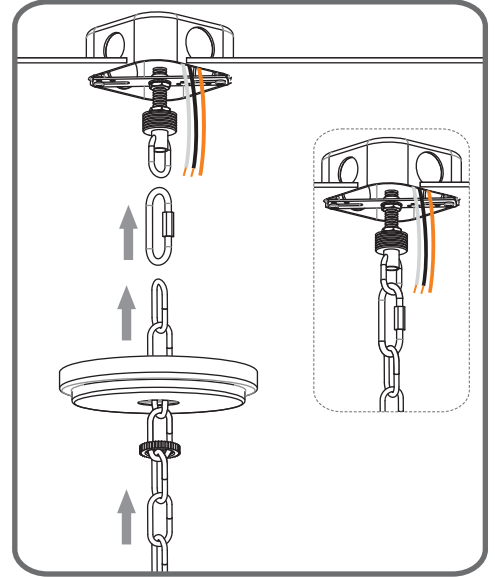
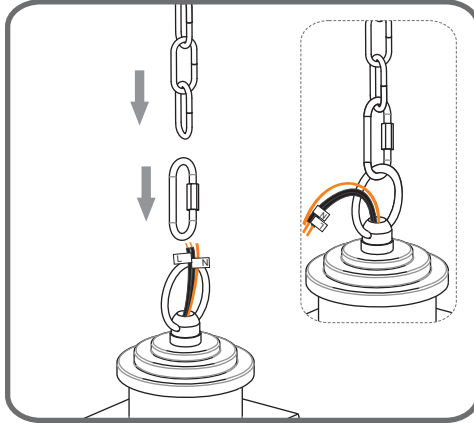


Suggested Chain Length:

- 8' ceiling: 10" Chain
- 9' ceiling: 22" Chain
- 10' ceiling: 32" Chain

2

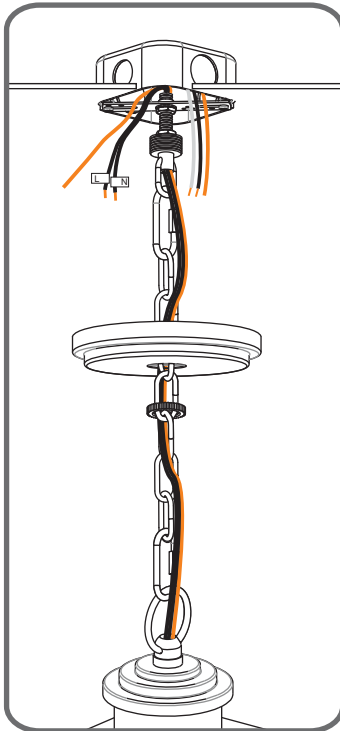
Step 2 - 3
Install Fixture Chain



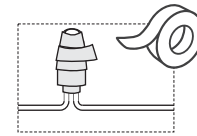
STEP 4

1

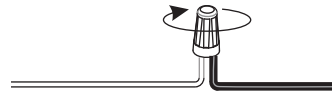
Step 1
Feed the fixture wires
through the loop



2

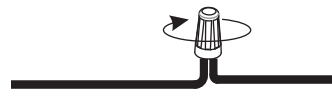


White wire (neutral)
from outlet box



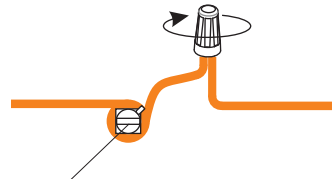
Supply wire from fixture
ribbed side or identified
with the Label "N"

Black or Red wire (hot)
from outlet box



supply wire from fixture
smooth side or identified
with the label "L"

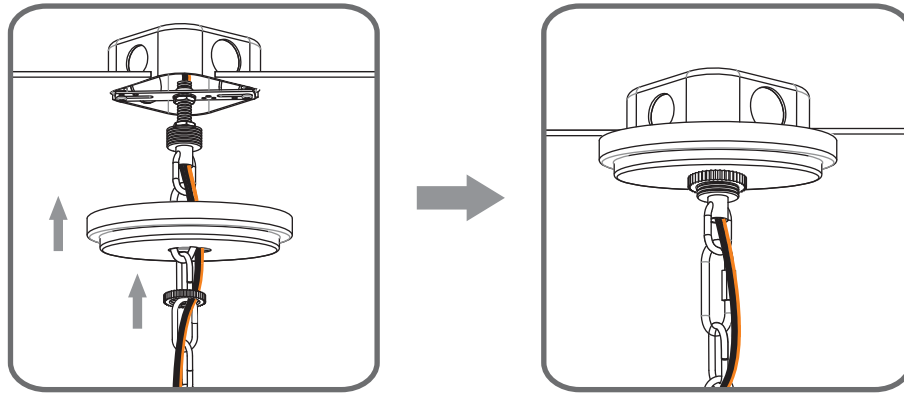
Bare or Green ground wire
from outlet box



Ground wire
from Fixture

*Green Ground Screw
on crossbar optional

STEP 5



STEP 6

