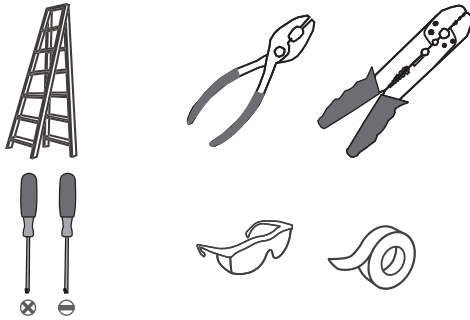
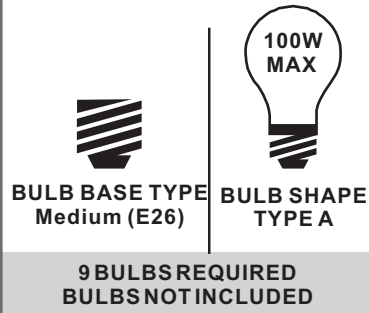


**Tools Required**



**Light Source**



**Fixture Height Adjustable  
31.25" to 55.25"**

**⚠ Warnings and Cautions**

Turn off the electricity at the circuit breaker before installation. Consult a licensed electrician if in doubt about installation.

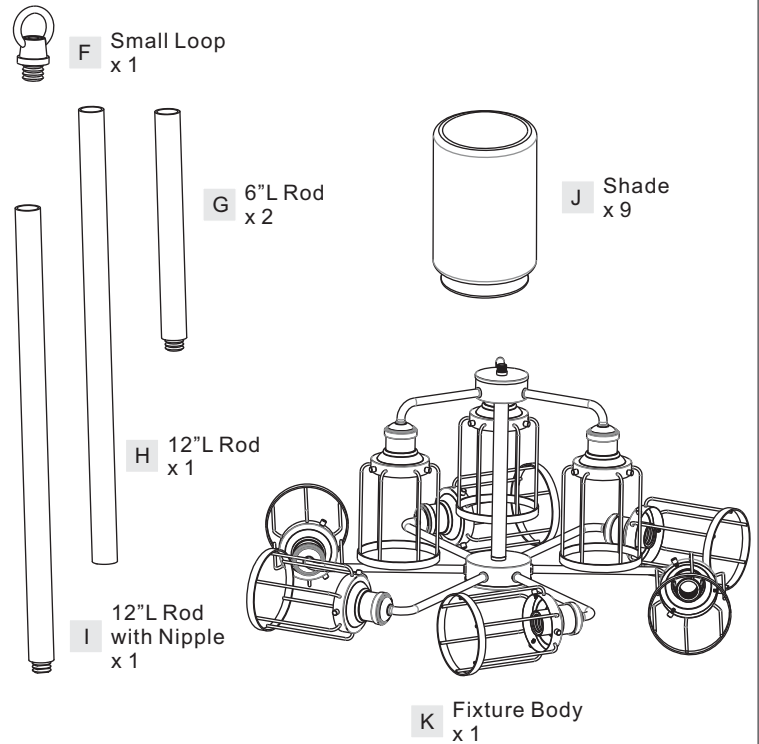
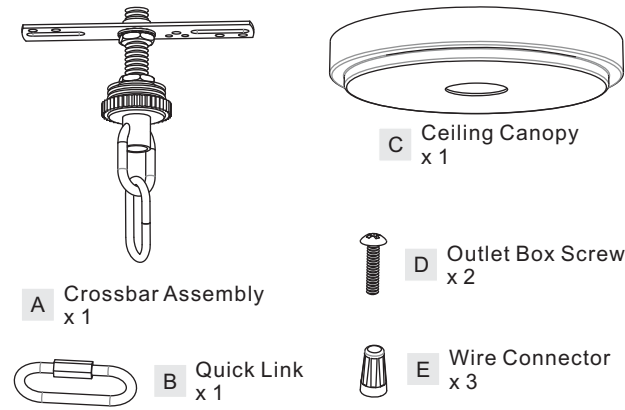
Turn off power to the fixture and allow the bulbs to cool before replacing.

**Package Contents**

**Preparation:** Identify and inspect all parts before beginning the installation.

Missing or damaged parts? Contact your original place of purchase.

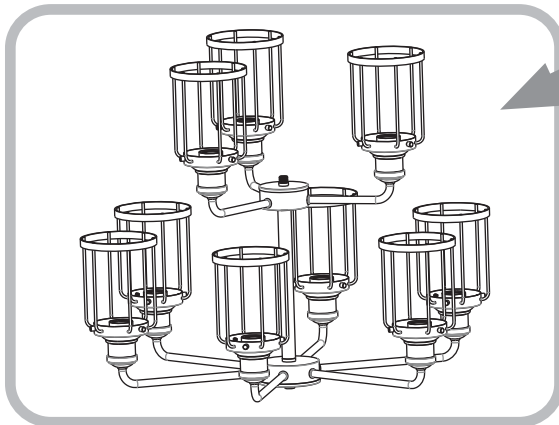
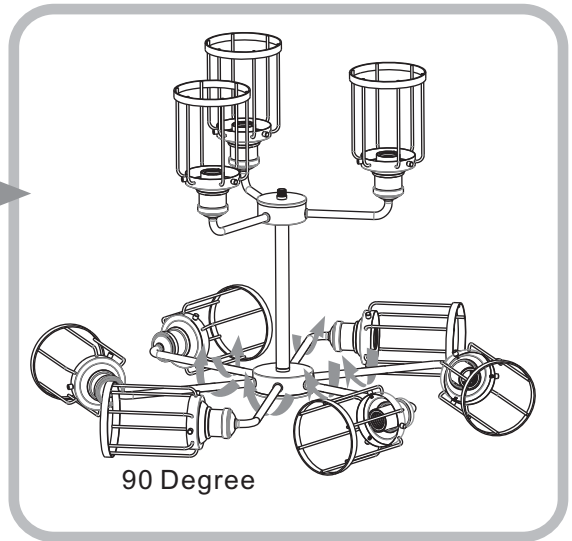
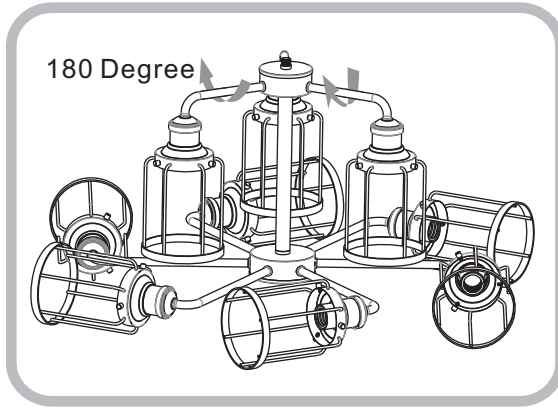
**PARTS BAG**



**Table of Contents**

Rotate Arms	Rods&Small Loop	Crossbar Assembly	Quick Link	Wiring	Ceiling Canopy	Bulb&Shade
STEP 1	STEP 2	STEP 3	STEP 4	STEP 5	STEP 6	STEP 7

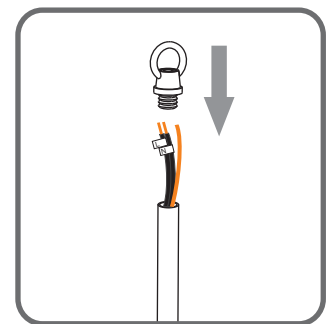
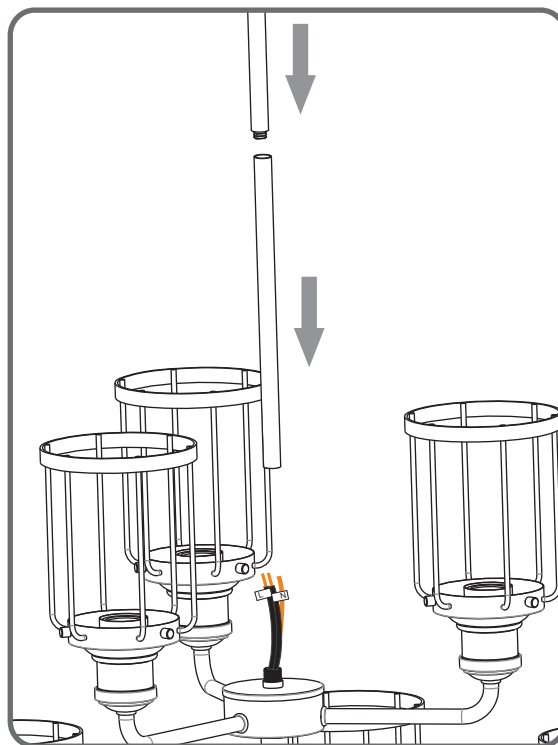
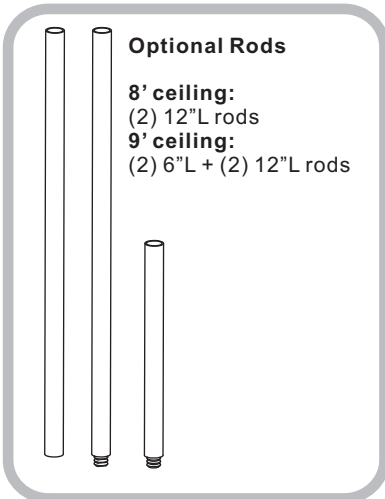
## STEP 1



## STEP 2

1

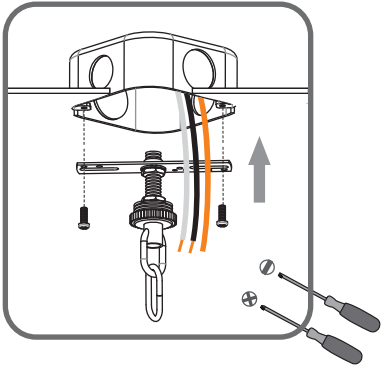
2



### STEP 3

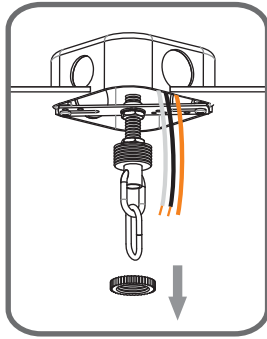
1

Step 1  
Install crossbar assembly

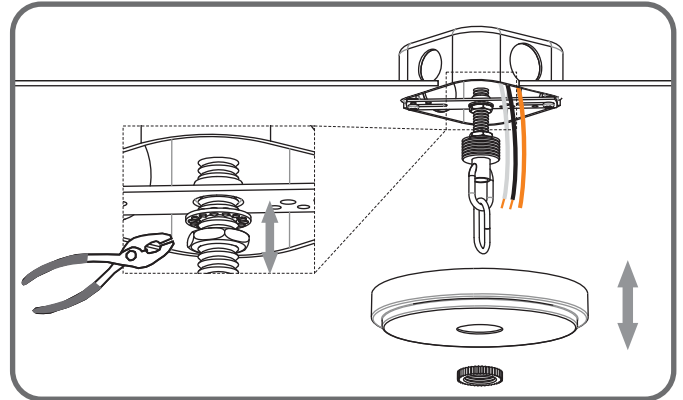


2

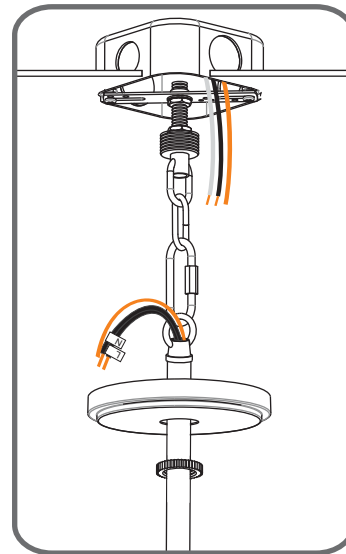
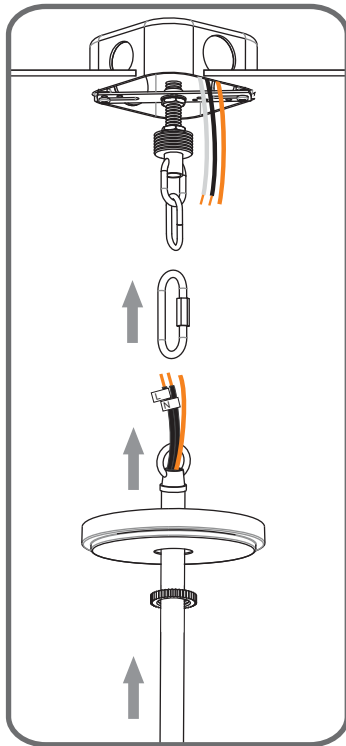
Step 2 - 3  
Test fitting ceiling canopy to nipple



3



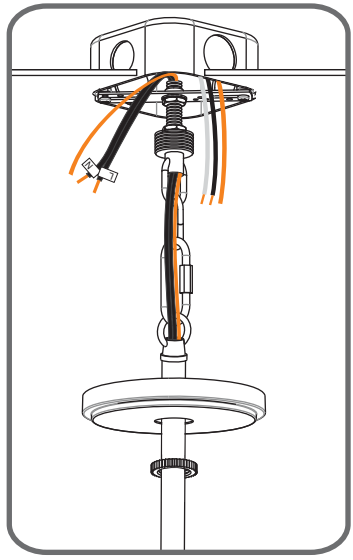
### STEP 4



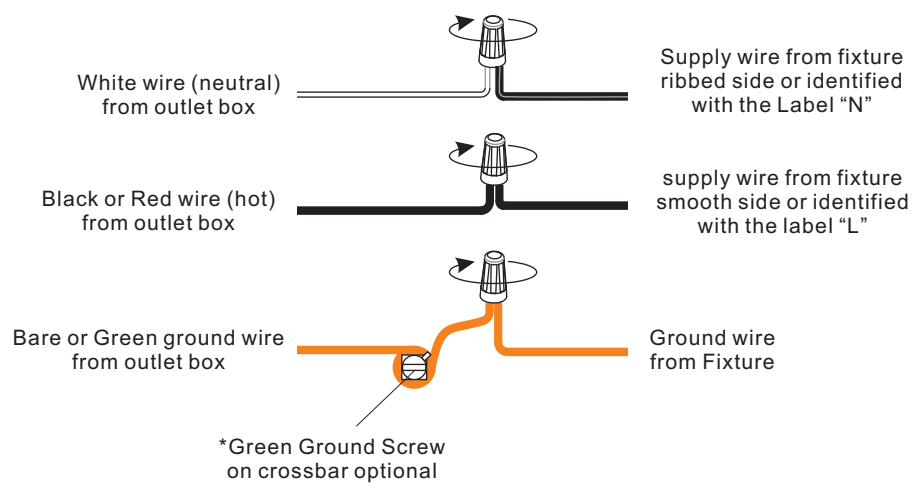
# STEP 5

1

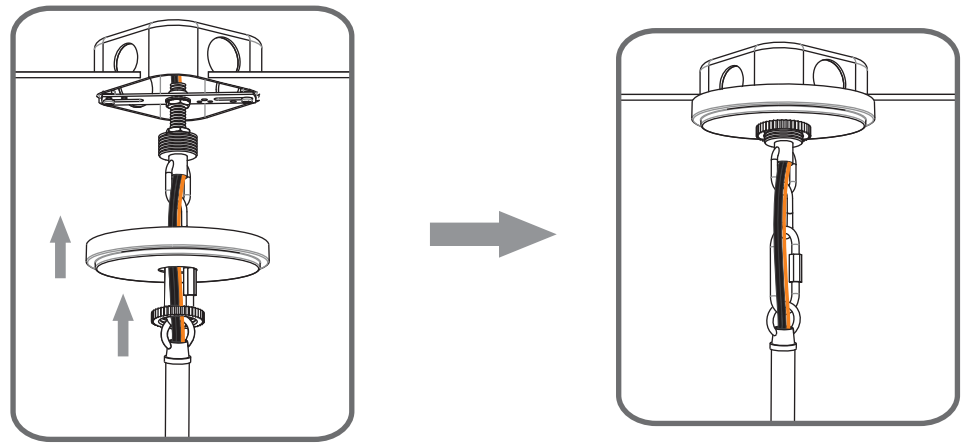
Step 1  
Feed the fixture wires  
through the loop



2



# STEP 6



**STEP 7**

