

**SAFETY INFORMATION**

Please read and understand this entire manual before attempting to assemble, install or operate the product.

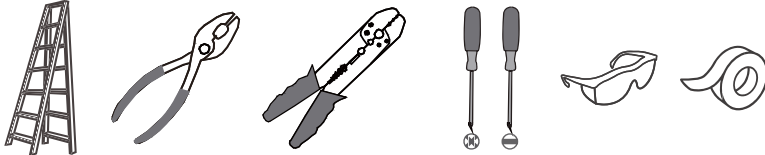
**WARNING**

- RISK OF ELECTRIC SHOCK - Before beginning installation, turn off electricity at the circuit breaker box or the main fuse box.

**CAUTION**

- For your safety, read instructions completely before beginning installation.
- If in doubt about electrical installation, consult a licensed electrician.

**TOOLS REQUIRED**



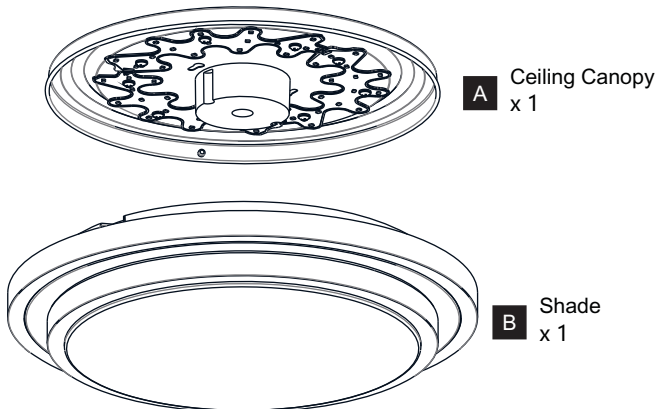
Ratings	120 ~ 277 Vac, 60Hz	
	Model No.	Wattage
	IVG1614BRA	19W
	IVG1614MBK	19W
	IVG1616BRA	25W
	IVG1616MBK	25W

**CARE AND MAINTENANCE**

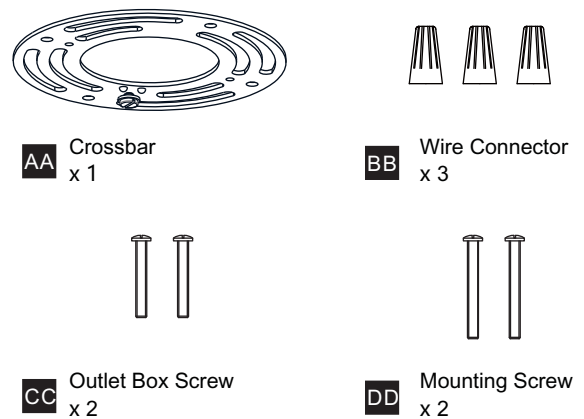
- Wipe clean using soft, dry cloth or static duster. Always avoid using harsh chemicals and abrasives to clean fixture as they may damage the finish.

If you need further assistance call Quozel Customer Care at 1-800-645-3184 (9:00am - 5:00pm EST), or visit us on-line at [www.quezel.com](http://www.quezel.com).

**PACKAGE CONTENTS**



**MOUNTING HARDWARE**



**INSTALLATION**

**1 Install Mounting Screws to Crossbar**

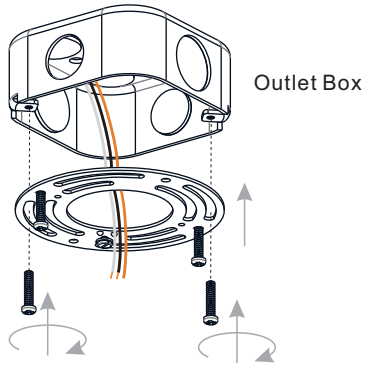
Determine mounting holes for mounting screws

Install mounting screws

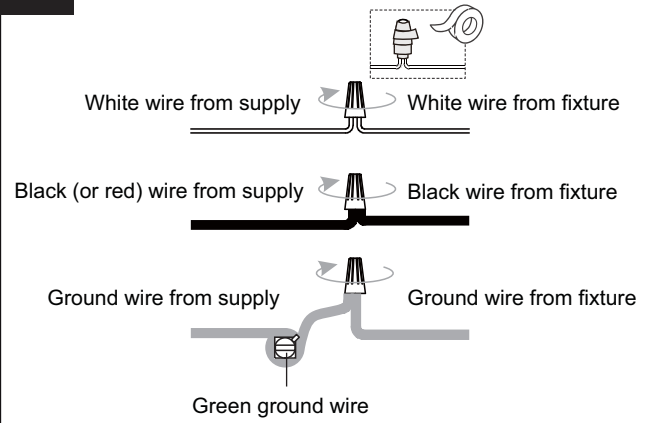
**\* DO NOT** screw mounting screws all in the crossbar. Leave a minimum length of 5/8" for next installations.

# INSTALLATION

## 2 Install Crossbar



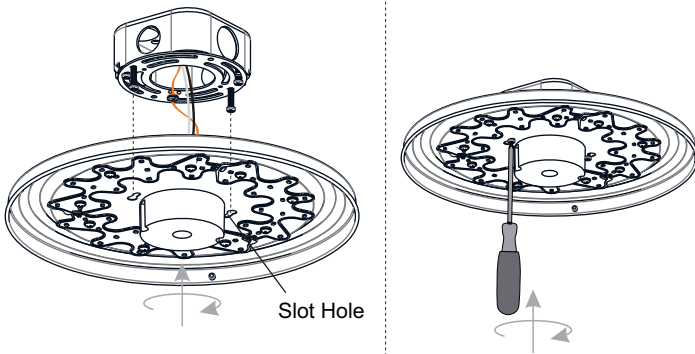
## 3 Wiring



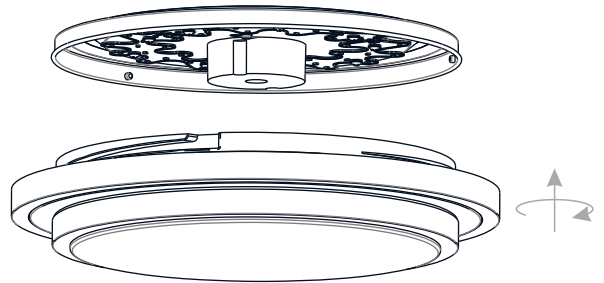
## 4 Install Ceiling Canopy

Fit slot holes to mounting screws

Tighten mounting screws



## 5 Install Shade



Your installation is now complete! Restore electricity and save this sheet for future reference.