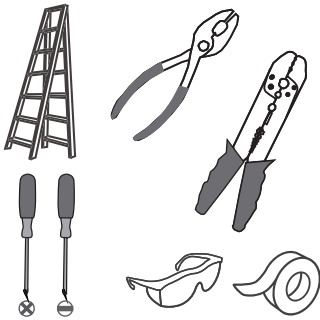
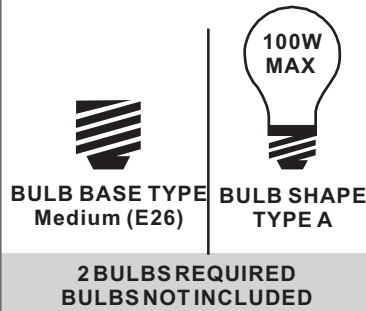


Tools Required



Light Source



Warnings and Cautions

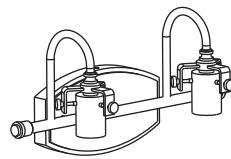
Turn off the electricity at the circuit breaker before installation. Consult a licensed electrician if in doubt about installation.

Turn off power to the fixture and allow the bulbs to cool before replacing.

Package Contents

Preparation: Identify and inspect all parts before beginning the installation.

Missing or damaged parts? Contact your original place of purchase.



E Fixture Body
x 1

PARTS BAG

- A** Mounting Screw x 2
- B** Outlet Box Screw x 2
- C** Wire Connector x 3



D Inner Backplate
x 1

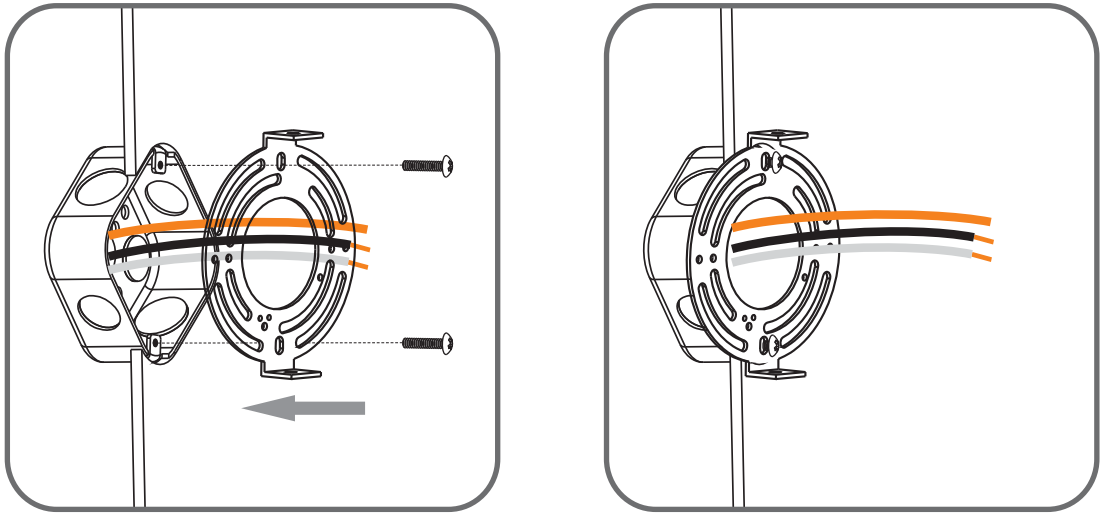


F Shade
x 2

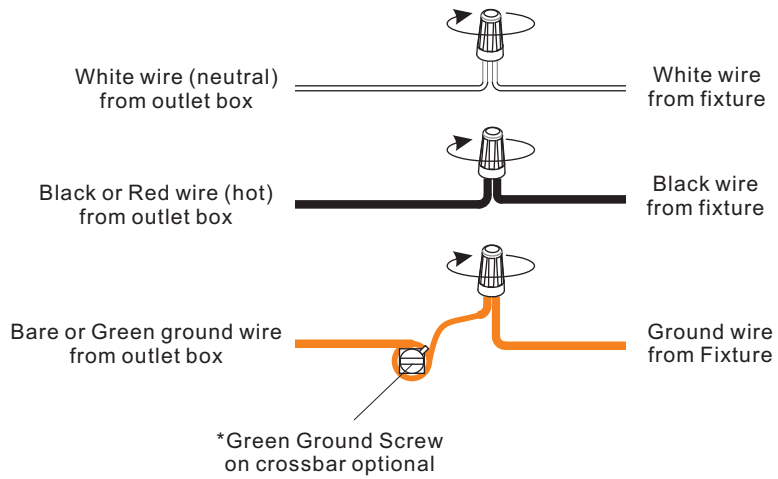
Table of Contents

Inner Backplate	Wiring	Fixture Body	Shade & Bulb
STEP 1	STEP 2	STEP 3	STEP 4

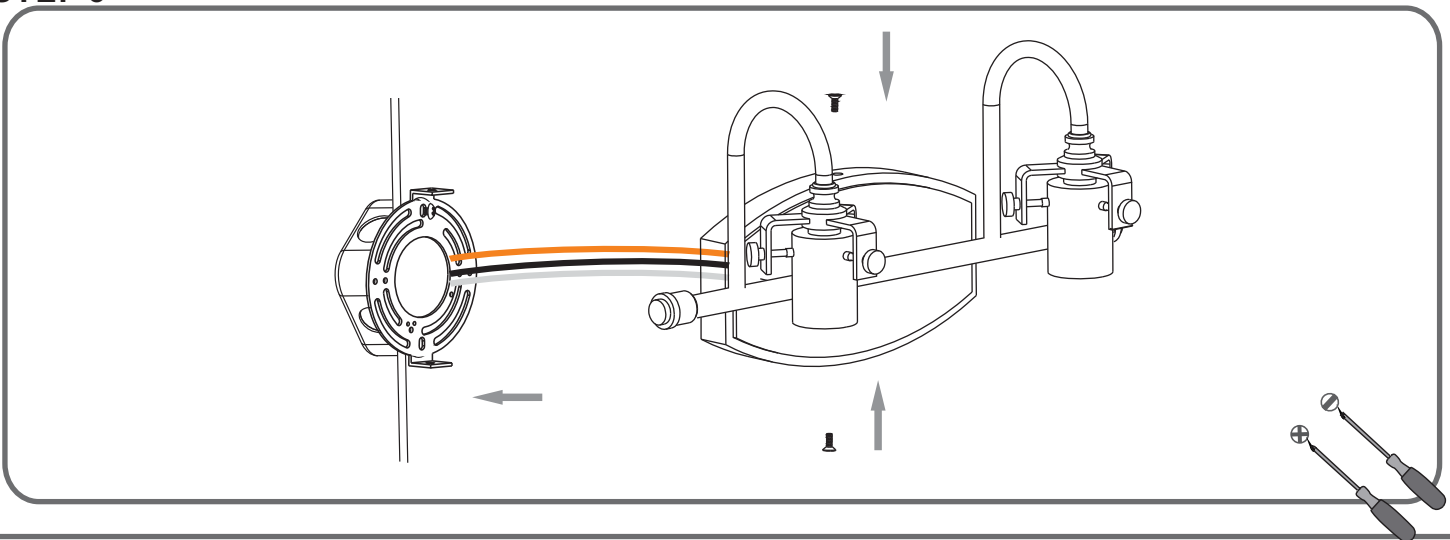
STEP 1



STEP 2

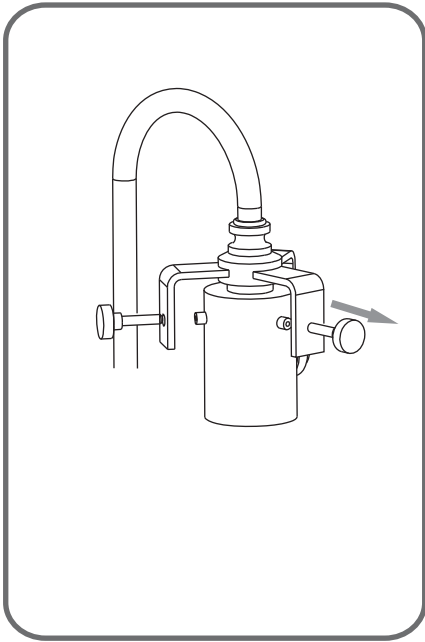


STEP 3



STEP 4

1



2

