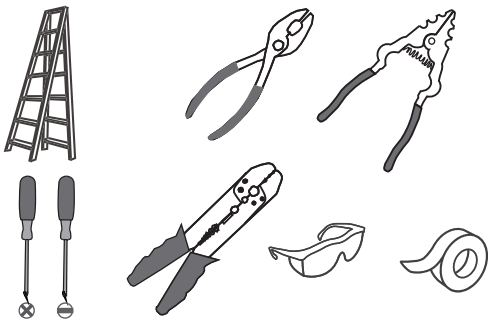
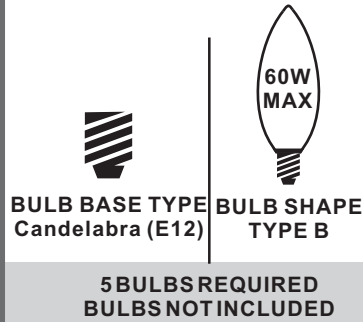


**Tools Required**



**Light Source**



**Fixture Height Adjustable  
25.5" to 121.5"**

**⚠ Warnings and Cautions**

Turn off the electricity at the circuit breaker before installation. Consult a licensed electrician if in doubt about installation.

Turn off power to the fixture and allow the bulbs to cool before replacing.

**Package Contents**

**Preparation:** Identify and inspect all parts before beginning the installation.

Missing or damaged parts? Contact your original place of purchase.

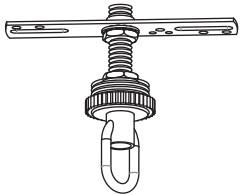


**G** Shade x 5



**H** Fixture Loop

**PARTS BAG**



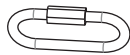
**A** Crossbar Assembly x 1



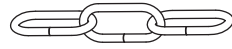
**B** Outlet Box Screw x 2



**C** Wire Connector x 3



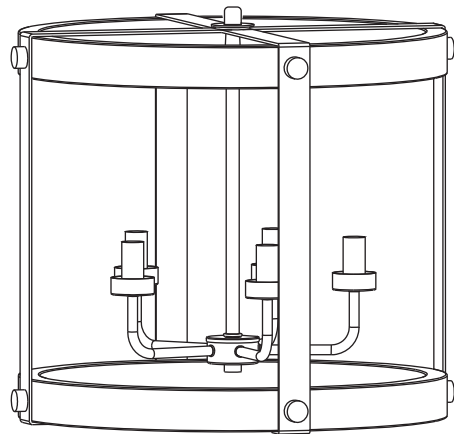
**D** Quick Link x 2



**E** Fixture Chain x 1



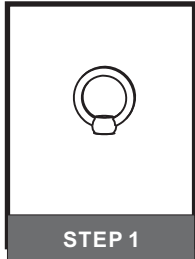
**F** Ceiling Canopy x 1



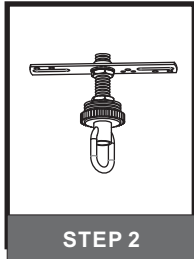
**I** Fixture Body x 1

**Table of Contents**

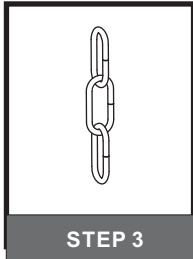
**Fixture Loop**



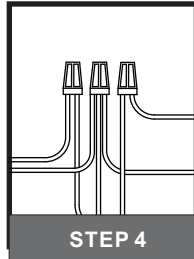
**Crossbar Assembly**



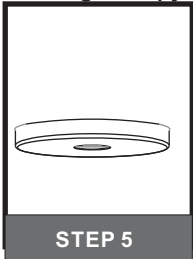
**Fixture Chain**



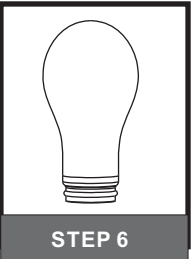
**Wiring**



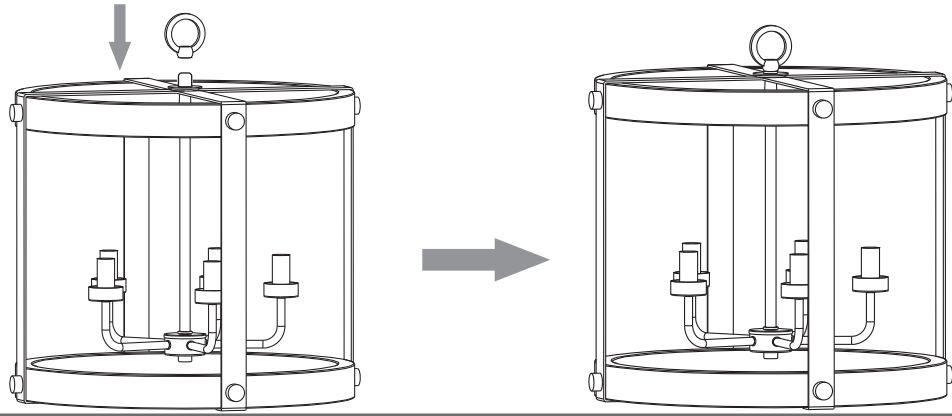
**Ceiling Canopy**



**Shade and Bulb**



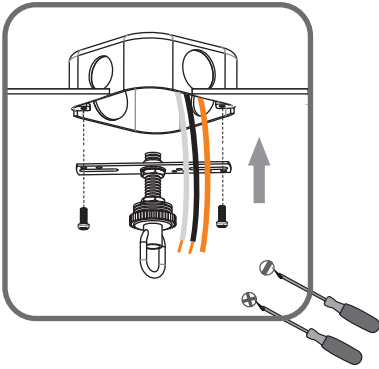
## STEP 1



## STEP 2

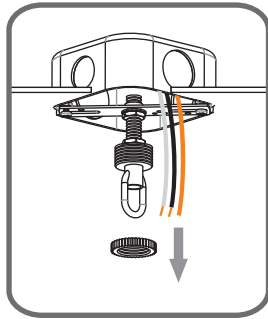
1

**Step 1**  
Install crossbar assembly

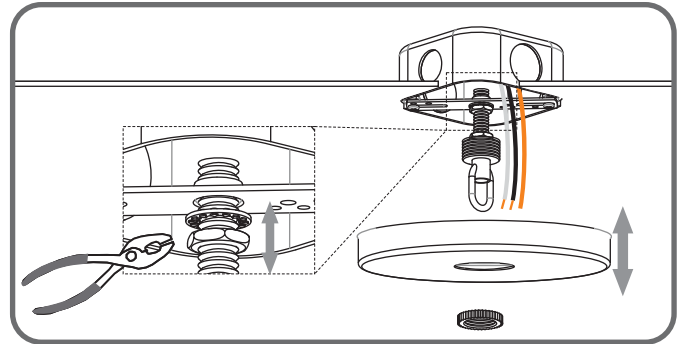


2

**Step 2 - 3**  
Test fitting ceiling canopy to nipple



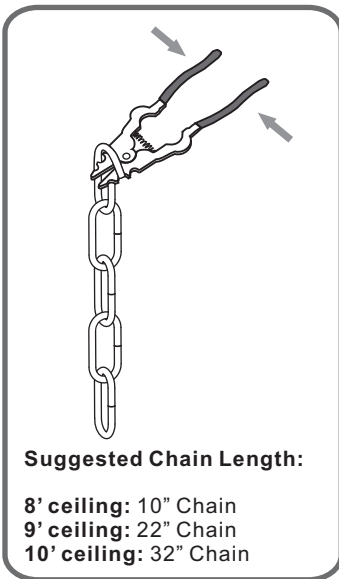
3



## STEP 3

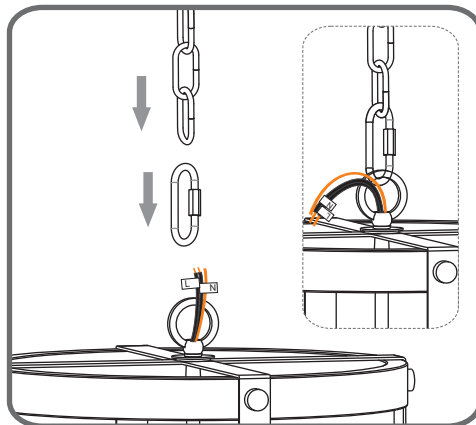
1

**Step 1**  
Adjust fixture chain length

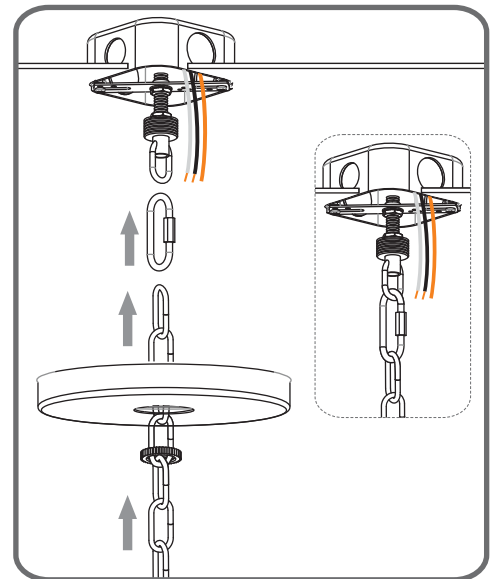


2

**Step 2 - 3**  
Install Fixture Chain



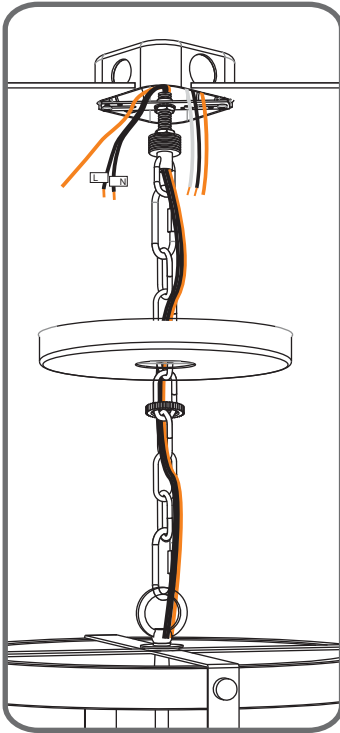
3



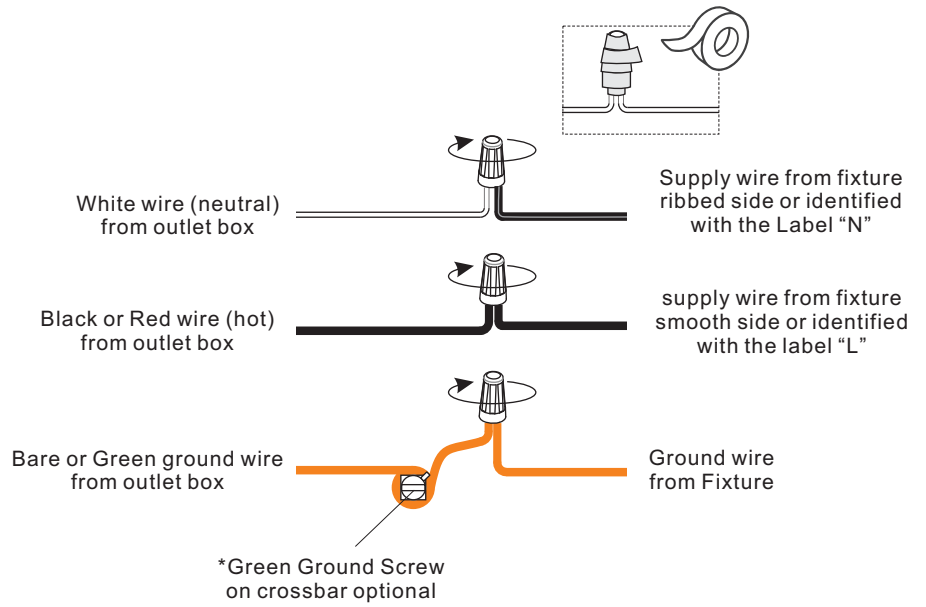
## STEP 4

1

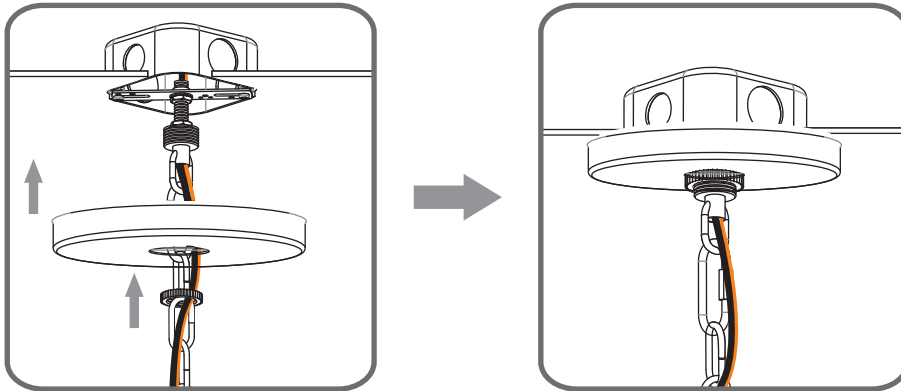
**Step 1**  
Feed the fixture wires  
through the loop



2



## STEP 5



**STEP 6**

