

Please go to [www. quoizel. com](http://www. quoizel. com) for product cleaning tips. Go to the **Care + Maintenance** selection.

**Tools Required:** Flathead screwdriver, Phillips screwdriver, pliers, wire cutters, wire strippers, electrical tape, safety glasses.

**Light Source:** (4) A19 Medium Base Bulbs 100W Maximum or

(4) Medium Base Vintage Bulbs are recommended but not supplied.

**Estimated Assembly Time:** 30-45 minutes

**Preparation:** Identify and inspect all parts before beginning installation. Check package content list and diagrams below to be sure all parts are present. If any parts are missing or damaged, do not attempt to assemble, install, or operate the fixture. Contact customer service for replacement parts.

**Note:** This **CONVERTIBLE** fixture can be mounted as chandelier light or semi-flush light. Refer to respective installation steps for installations.

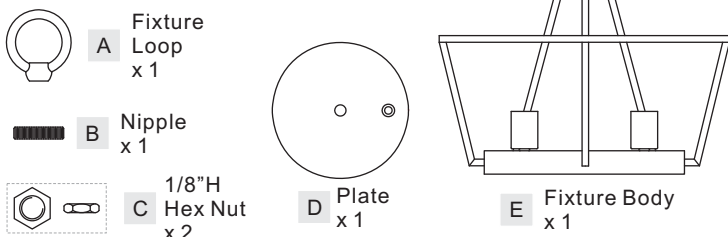
## ⚠ Warnings and Cautions

Turn off electricity at circuit breaker or main fuse box before installation. Consult a licensed electrician if in doubt.

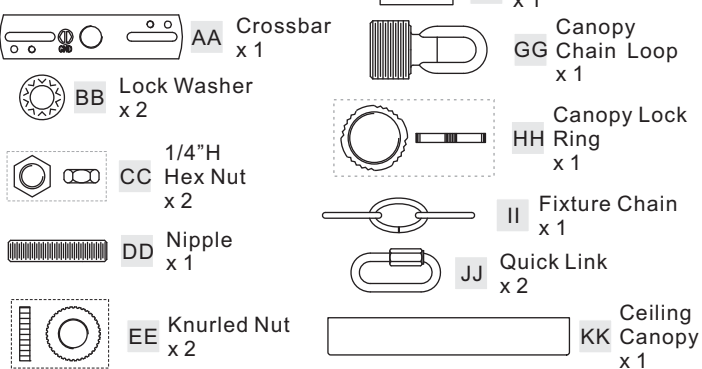
These instructions are provided for your safety. It is very important you read them completely before installing the fixture. We strongly recommend that a licensed, professional electrician perform the installation.

Disconnect fixture from power source before replacing bulbs. Make sure bulbs are given sufficient time to cool before removal.

## Package Contents



## Hardware Contents



## Assembly Instructions for Chandelier Light (Step 1A - Step 6A)

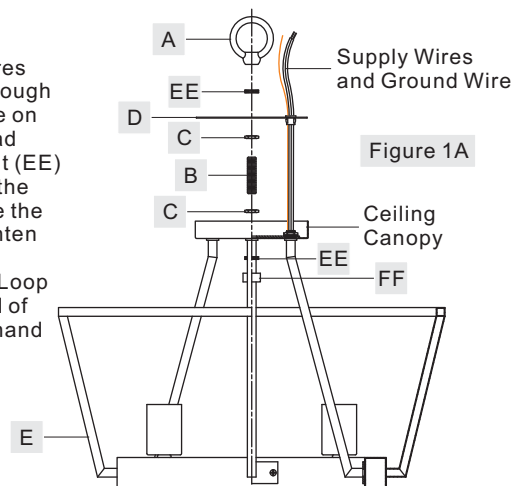
### STEP 1A - Install Plate and Fixture Loop

- Thread one Knurled Nut (EE) to one end of the Nipple (B) until it is at least 0.25" from the end. Thread the Lock Ball (FF) onto the end of the Nipple (B) and hand tighten until snug.
- Pass the Nipple (B) through the center hole of the ceiling canopy from the bottom of the ceiling canopy. Thread one 1/8"H Hex Nut (C) onto the top end of the Nipple (B) to secure the Nipple (B) to the ceiling canopy.
- Thread another 1/8"H Hex Nut (C) onto the Nipple (B), which is used to support the Plate (D). Pass the Plate (D) over the Nipple (B). Adjust the 1/8"H Hex Nut (C) to make sure the top surface of the Plate (D) is flush to the top edge of the ceiling canopy.

### (Step 1A Continued)

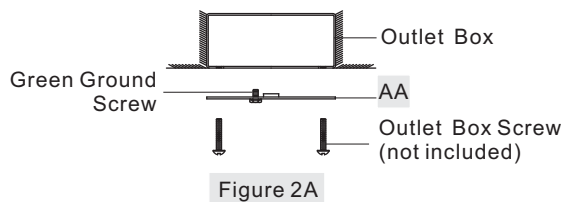
- Pass the supply wires and ground wire through the wire exiting hole on the Plate (D). Thread another Knurled Nut (EE) onto the top end of the Nipple (B) to secure the Plate (D). Hand tighten until snug.

- Thread the Fixture Loop (A) onto the top end of the Nipple (B) and hand tighten until snug.



### STEP 2A - Install the Crossbar to the junction box

- Attach the Crossbar (AA) to the Outlet Box with the head of the Green Ground Screw facing you. Secure it with Outlet Box Screws (not included), tighten until snug.



### STEP 3A - Install the Canopy Chain Loop and Nipple

- Thread one Hex Nut (CC) to one end of the Nipple (DD) until it is at least 0.25" from the end. Pass one Lock Washer (BB) over the end of the Nipple (DD) and thread the Canopy Chain Loop (GG) onto the Nipple (DD). By using pliers, thread the Hex Nut (CC) against the Canopy Chain Loop (GG) and hand tighten until snug.
- Thread another Hex Nut (CC) to the middle of the Nipple (DD). Place another Lock Washer (BB) over the Nipple (DD) and then thread the Nipple (DD) into the Crossbar (AA) until the Nipple (DD) is about 0.375" above the Crossbar (AA).

**Thank you for purchasing a Quoizel product.**  
**Need assistance with parts or assembly? Call Quoizel customer service at 1-800-645-3184**  
**or visit us on-line at [www. quoizel. com](http://www. quoizel. com)**

**(Step 3A Continued)**

- C. Remove the Canopy Lock Ring (HH) from the Canopy Chain Loop (GG). Place the Ceiling Canopy (KK) over the Canopy Chain Loop (GG) against the ceiling to determine the correct position of the Nipple (DD). Thread the Canopy Lock Ring onto the Canopy Chain Loop (GG). Adjust the Nipple (DD) to allow the Ceiling Canopy (KK) to rest against the ceiling when held in place by the Canopy Lock Ring (HH).
- D. Remove the Canopy Lock Ring (HH) and the Ceiling Canopy (KK). Tighten the Hex Nut (CC) against the Crossbar (AA) to secure in place.

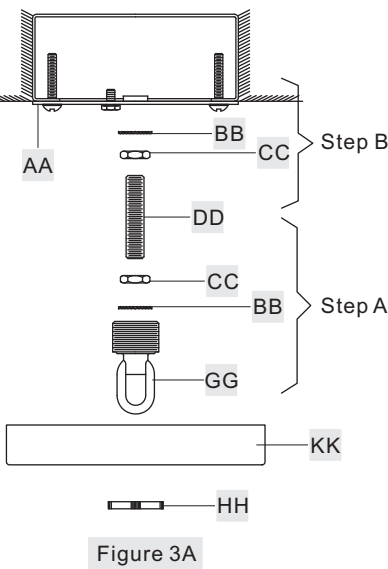


Figure 3A

**(Step 5A Continued)**

stuff all the connected wires into outlet box.

Note: If the electrical wire is going to be cut shorter than provided you will need to identify the "L" line wire and the "N" neutral wire before you cut the excess wire off. One is labeled N and the other labeled L. To do this separate the "L" line wire and the "N" neutral wire as far as you need to. Re-label the wire near where you want to make the cut. Be sure to mark the wire on the side of the fixture and not on the excess wire being cut and removed.

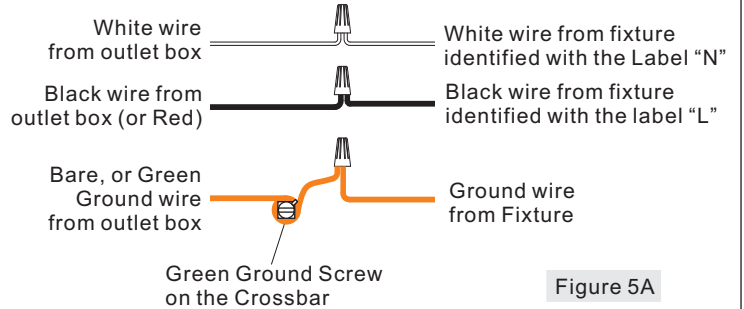


Figure 5A

**STEP 4A - Install the Fixture Chain and Ceiling Canopy**

- A. Adjust the Fixture Chain (II) to your desired length by removing links if needed.
- B. Pull the supply wires through the Fixture Chain (II) alternating links. After the wires are through the Fixture Chain (II), pull the Supply Wires and the Ground Wire through the Canopy Lock Ring (GG) and the Ceiling Canopy (KK) in order.
- C. Attach one end of the Fixture Chain (II) to the Fixture Loop with one Quick Link (JJ). Lift the fixture and Fixture Chain (II) up and attach the other end of the Fixture Chain (II) onto the Canopy Chain Loop (GG) with another Quick Link (JJ). The fixture will now hang safely.
- D. Feed the Supply Wires and Ground Wire through the Canopy Chain Loop (GG) and Nipple (DD) into the Outlet Box. Cut the wires leaving approximately 8" of wire extending from the Outlet Box.
- E. Go to Step 5A for wire connections and follow the directions. Return to Step F in this step when complete with Step 5A.
- F. Raise the Ceiling Canopy (KK) and Canopy Lock Ring (HH) up the Fixture Chain (II) and over the Canopy Chain Loop (GG). Tighten the Canopy Lock Ring (HH) onto the Canopy Chain Loop (GG) until tight.

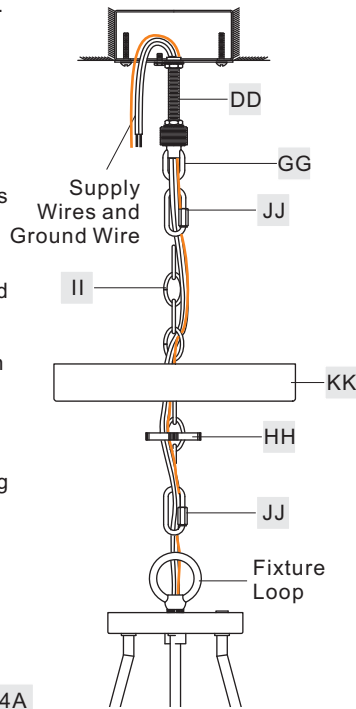


Figure 4A

Suggested chain length for Ceiling height :  
 8' ceiling : use 13 links of chain and 2 quick links  
 9' ceiling : use 23 links of chain and 2 quick links  
 10' ceiling : use 33 links of chain and 2 quick links

**STEP 5A - Making the Wire Connections**

- A. Wrap bare or green ground wire around green ground screw on the crossbar, no less than 2 inches from the end of the wire. Tighten the green ground screw.
- B. Use standard wire connectors (not included) to make all wire connections. Twist connectors until wires are tightly joined together. Wrap each connection with approved electrical tape and carefully

**STEP 6A - Install Bulbs**

- A. Insert bulbs onto sockets and screw snugly into place.

Your fixture is now assembled and ready to use. Enjoy!

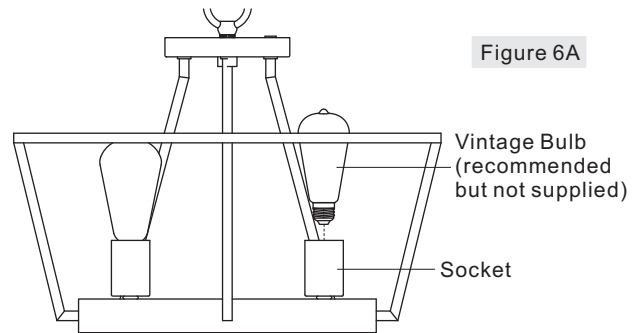
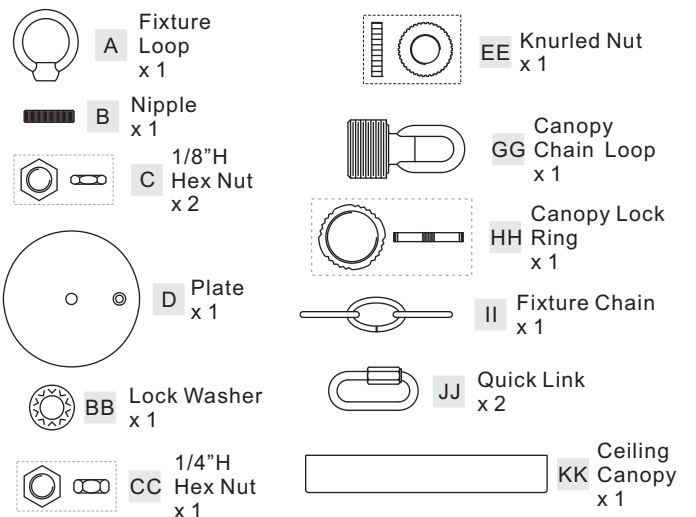


Figure 6A

**Assembly Instructions for Semi-flush Light (Step 1B - Step 5B)**

The following parts will not be used in the assembly of the Semi-Flush Light fixture. Please set aside these parts.



Thank you for purchasing a Quoizel product.  
 Need assistance with parts or assembly? Call Quoizel customer service at 1-800-645-3184  
 or visit us on-line at [www.quoise.com](http://www.quoise.com)

### STEP 1B - Install the Crossbar to the junction box

- A. Attach the Crossbar (AA) to the Outlet Box with the head of the Green Ground Screw facing you. Secure it with Outlet Box Screws (not included), tighten until snug.

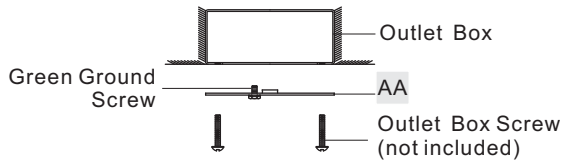


Figure 1B

### STEP 2B - Install the Nipple to the Crossbar

- A. Thread the Hex Nut (CC) to the middle of the Nipple (DD). Place the Lock Washer (BB) over the Nipple (DD) and then thread the Nipple (DD) into the Crossbar (AA) until the Nipple (DD) is about 0.375" above the Crossbar (AA).
- B. Place the ceiling canopy and Fixture Body (A) over the end of the Nipple (DD) against the ceiling to determine the correct position of the Nipple (DD). Thread the Lock Ball (FF) onto the Nipple (DD). Adjust the Nipple (DD) to allow the ceiling canopy to rest against the ceiling when held in place by the Lock Ball (FF).
- C. Remove the Lock Ball (FF) and the Fixture Body (E). Tighten the Hex Nut (CC) against the Crossbar (AA) to secure in place.

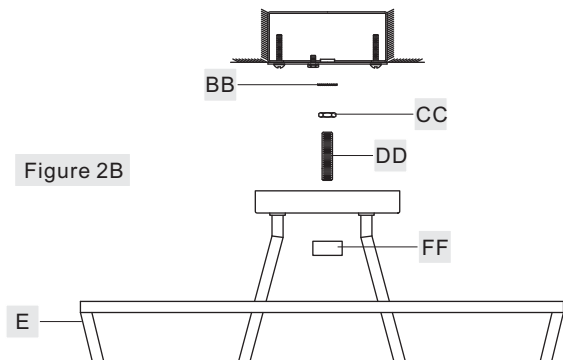


Figure 2B

### STEP 3B - Making the Wire Connections

- A. Wrap bare or green ground wire around green ground screw on the crossbar, no less than 2 inches from the end of the wire. Tighten the green ground screw.
- B. Use standard wire connectors (not included) to make all wire connections. Twist connectors until wires are tightly joined together. Wrap each connection with approved electrical tape and carefully stuff all the connected wires into outlet box.

Note: If the electrical wire is going to be cut shorter than provided you will need to identify the "L" line wire and the "N" neutral wire before you cut the excess wire off. One is labeled N and the other labeled L. To do this separate the "L" line wire and the "N" neutral wire as far as you need to. Re-label the wire near where you want to make the cut. Be sure to mark the wire on the side of the fixture and not on the excess wire being cut and removed.

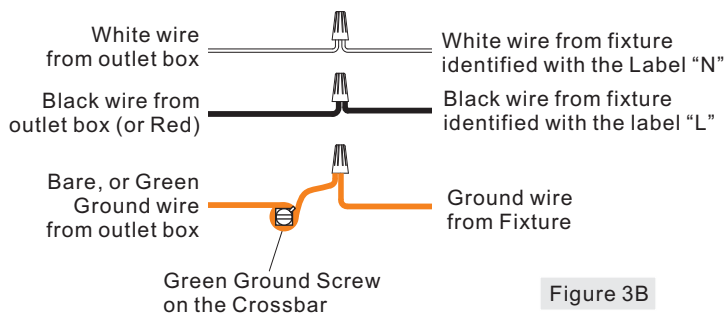


Figure 3B

### STEP 4B - Install Fixture Body to Ceiling

- A. Attach the ceiling canopy and Fixture Body (E) over the end of the Nipple (DD) and secure with Knurled Nut (EE). Hand tighten until snug.
- B. Thread the Lock Nut (FF) onto the end of the Nipple (DD) and hand tighten until snug.

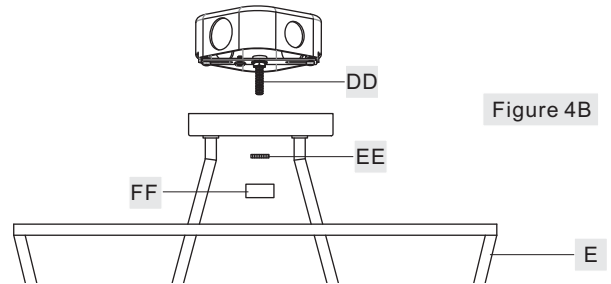


Figure 4B

### STEP 5B - Install Bulbs

- A. Insert bulbs onto sockets and screw snugly into place.

Your fixture is now assembled and ready to use. Enjoy!

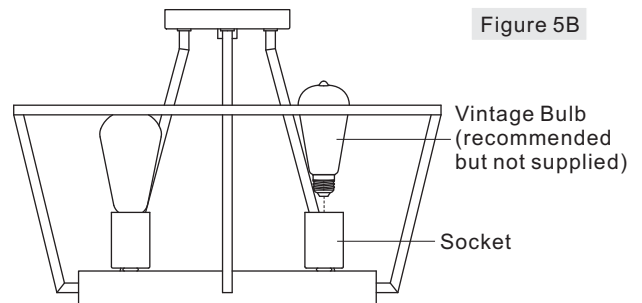


Figure 5B

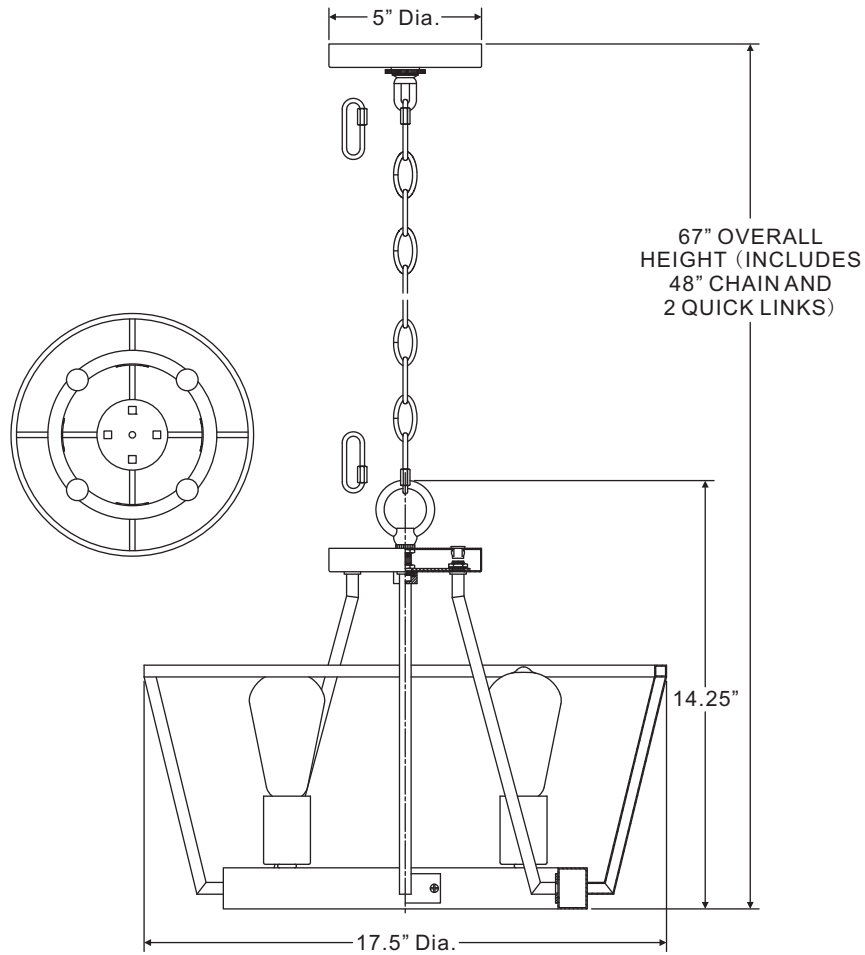
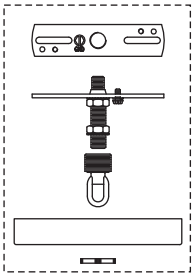
Thank you for purchasing a Quoizel product.  
Need assistance with parts or assembly? Call Quoizel customer service at 1-800-645-3184  
or visit us on-line at [www.quoise.com](http://www.quoise.com)

BRT1717GK

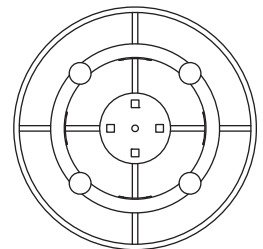
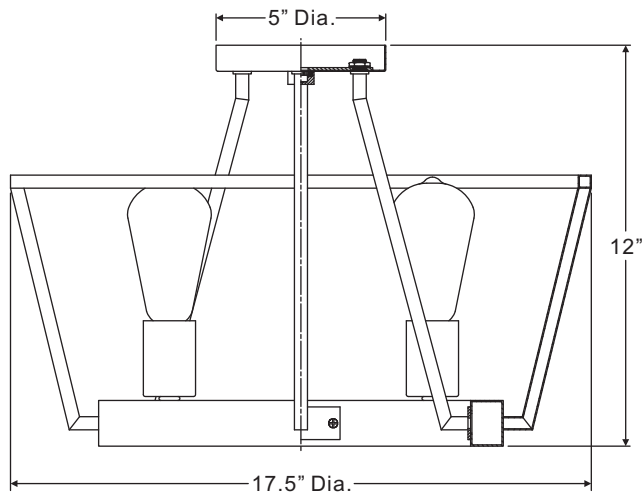
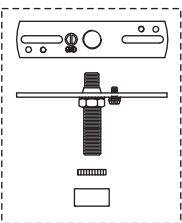
FINISH: GREY ASH

NOTE: ALL DIMENSIONS ARE ROUNDED UP TO THE NEAREST 1/4"

CHANDELIER



SEMI-FLUSH



Thank you for purchasing a Quoizel product.  
Need assistance with parts or assembly? Call Quoizel customer service at 1-800-645-3184  
or visit us on-line at [www.quoise.com](http://www.quoise.com)